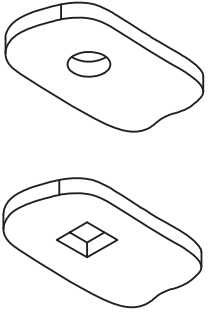




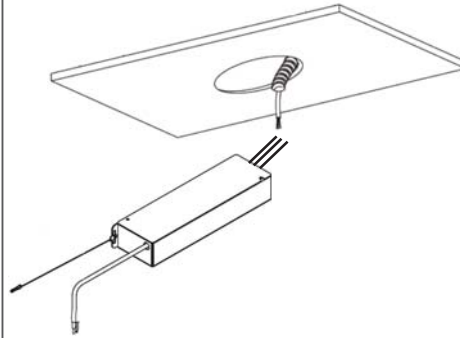
Risk of fire and electrical shock. In accordance with national local building and electrical codes, CORONET lighting fixtures must be installed by a qualified electrician. Disconnect power at electrical panel before servicing.

### 1. Ceiling Cut Out Dimensions

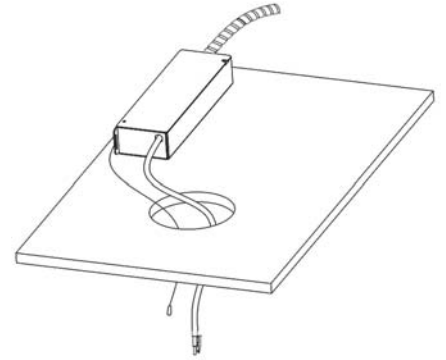
Dim Round:  $\varnothing 3.7''$   
Square: 3.7" x 3.7"



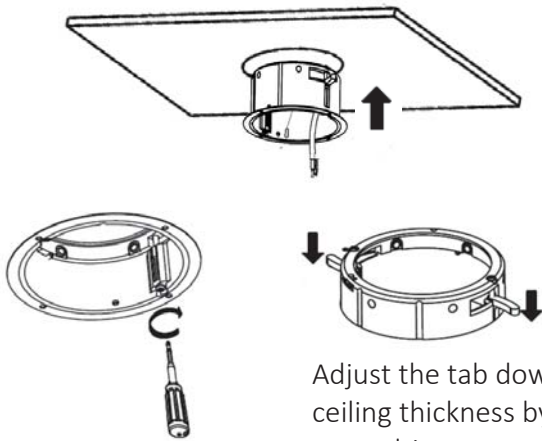
### 2. Wiring



### 3. Place the Remodel housing above the ceiling

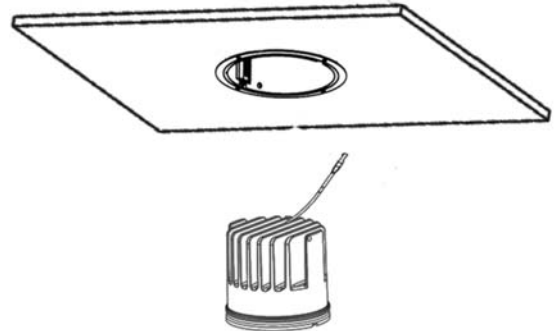


### 4. Install Collar

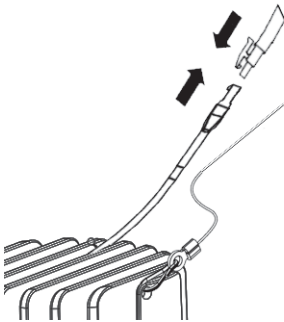


Adjust the tab down to the ceiling thickness by using a screwdriver.

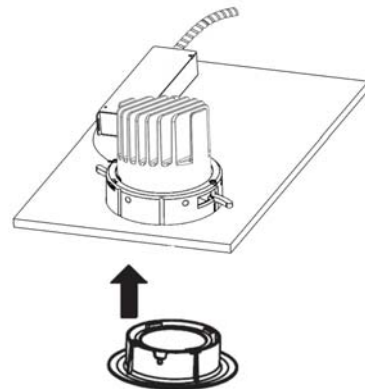
### 5. Install Module



### 6. Connect the wire and safety cable from the to the module.



### 7. Install Trim



NOTE: JUNCTION BOXES MUST BE SOLIDLY FIXED TO THE CEILING AND ATTACHED TO THE STRUCTURAL MEMBER INSIDE THE CEILING BEFORE PROCEEDING WITH INSTALLATION.

## INSTALLATION GUIDE



Risk of fire and electrical shock. In accordance with national local building and electrical codes, CORONET lighting fixtures must be installed by a qualified electrician. Disconnect power at electrical panel before servicing.

### GENERAL INSTALLATION CONSIDERATIONS

Operating Temperature.....0°C to 40°C  
Operating Voltage.....110VAC-277VAC, 50Hz-60Hz  
Weight.....Varies based on size  
Dimensions.....See spec sheet

- Installation by a certified electrician only.
- Read and understand the installation instructions before attempting to install or use the fixture.
- Only use fixtures with voltage for which it is rated. Do not exceed the specified voltage and current input.
- Do not use the fixture if the housing, lens, or power cable is damaged.
- Ensure that the main power supply is off before installing or wiring the fixture.
- Method of wire connection to be determined by local electrical codes and regulations.
- The external flexible cable of this luminaire cannot be field replaced; if the cord is damaged, contact Coronet.
- The light source contained in this luminaire shall only be replaced by the lighting manufacturer or his service agent or a similar qualified person.

NOTE: JUNCTION BOXES MUST BE SOLIDLY FIXED TO THE CEILING AND ATTACHED TO THE STRUCTURAL MEMBER INSIDE THE CEILING BEFORE PROCEEDING WITH INSTALLATION.