



Offering virtually unlimited curvilinear design freedom, Trazo shapes are custom formed to your specifications.

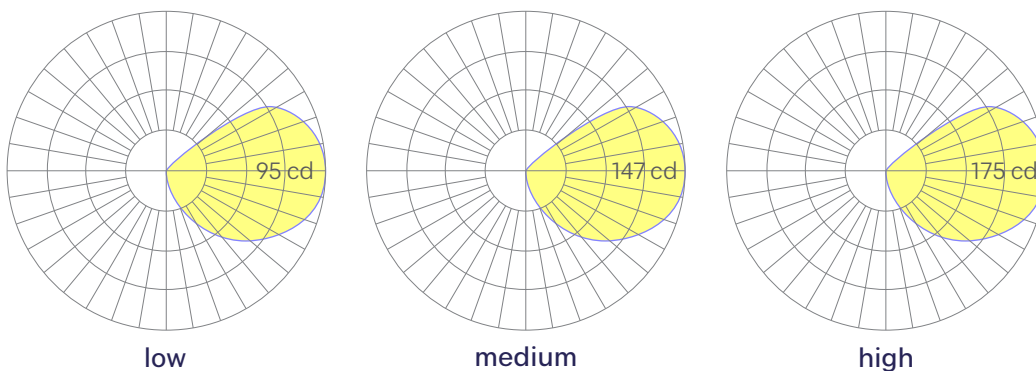
Features

- Open-ended or closed shapes, side-facing illumination
- Extruded recycled aluminum housing
- Unlimited patterns and custom finishes available
- Specifiable color temperature. CRI > 90, R9 > 50
- 5 Year, 50,000 hour warranty, damp location rated
- WELL Building Standard compatible [learn more](#)

Dimensions



Optics



Representative distribution and peak candela. For other options see order information or IES files [here](#).

Ordering Information

For each option group below specify one option. If you don't see your preferred option listed, contact us for [help](#).

1 Fixture ID	2 Length	3 Color Temperature	4 Output
TRAZO	PAT Pattern Submit drawing; See page 5 for details.	27 2700K/90 CRI 30 3000K/90 CRI 35 3500K/90 CRI 40 4000K/90 CRI	LOW Low output MED Medium output HIGH High output CUST Custom output Specify watts or lumens: Up to 13W/ft max. Down to 6W/driver min.
5 Voltage	6 Driver	7 Finish	8 Mounting
UNV Universal (120/277V)	DB Standard 0-10V 1% DB.1% 0-10V 0.1% ELV Reverse phase 1% (120V only) TRI Forward phase LDE1 Lutron Digital EcoSystem DALI DALI-2 driver PoE Power over Ethernet JAB JAB compliant 1% dimming	W White BLK Black SLV Silver CC Custom color See finish options here CWF Custom wood finish See finish options here	AC.X AC cable; 50" field cuttable "X" must be replaced by specific order code. See Mounting Options page for details. ACP.X Power over aircraft cable Specify canopy: 5"; 3.5" (plaster-in). PS.X Pendant stem "X" must be replaced by specific order code. See Mounting Options page for details.
9 Optics	10 Sensors/Controls	11 Circuit	12 Options
SD Standard diffuser SD.C Continuous standard diffuser A continuous lens that can be cut in the field.	NA None ACM Acuity nLight- module only CCS Casambi module AWNR Lutron Athena wireless node OTHER Consult factory	NA None EMPCK Emergency battery pack EMCKT Emergency circuit May require additional power feeds. DAYCKT Daylight circuit May require additional power feeds.	NA None STD White canopy/cord/stem CAN.X Canopy + color See finish options here SJ.BLK Black cord SJ.WHT White cord

Performance

Output ¹	Watts/ft	Lumens/ft	LPW
Low	5	229	46
Medium	8	356	44
High	10	422	42

¹Based on a typically configured 90 CRI, 3500K luminaire using one driver.
Custom outputs available. Please consult factory.
For 4000K multiply by 1.05; for 3000K, 0.9; for 2700K, 0.92.
For Warm Dim multiply by .80.

Technical Information



click [here](#) or scan QR code

Wiring diagrams, PoE and sensor details

Drivers & Electrical

Remote, dimmable drivers are supplied in enclosures. Several other driver options available; see ordering information.

For remote driver box sizes, click [here](#).

Sensors & Controls

Sensors and controls are installed in a remote enclosure. Coronet remains agnostic in our approach to sensors and control systems; our fixtures are compatible with most systems offered.

Emergency Back-Up

For fixtures three-feet or longer, a 6W emergency driver may be wired to 4ft sections. A 10W driver is also available (consult factory). Emergency circuits for use with building generators are also available.

PoE (Power over Ethernet)

Compatible with virtually all PoE systems including Moxel Coresync, Igor, Smartengine, Platformatics, and NuLED SPICEbox.

Consult factory for systems not listed. See [here](#) for more info.

Finishes

All luminaires are finished in high quality polyester powder coating. Our standard color is white. Any RAL color may be specified.

Weight

2 lbs per foot

Optics

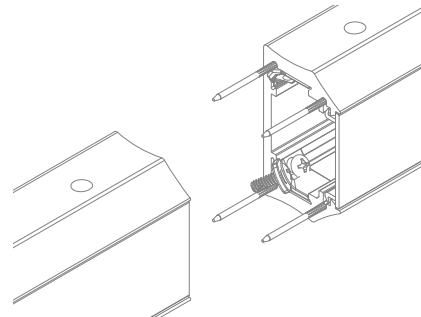
Extruded satin acrylic lenses provide excellent diffusion, high transmission, and no LED imaging.

Construction

Housings are extruded premium, recycled aluminum. Individual fixtures are available up to 12' long and may be specified as nominal or precision lengths. Precision lengths are supplied within 1/8" tolerance.

Joined Runs

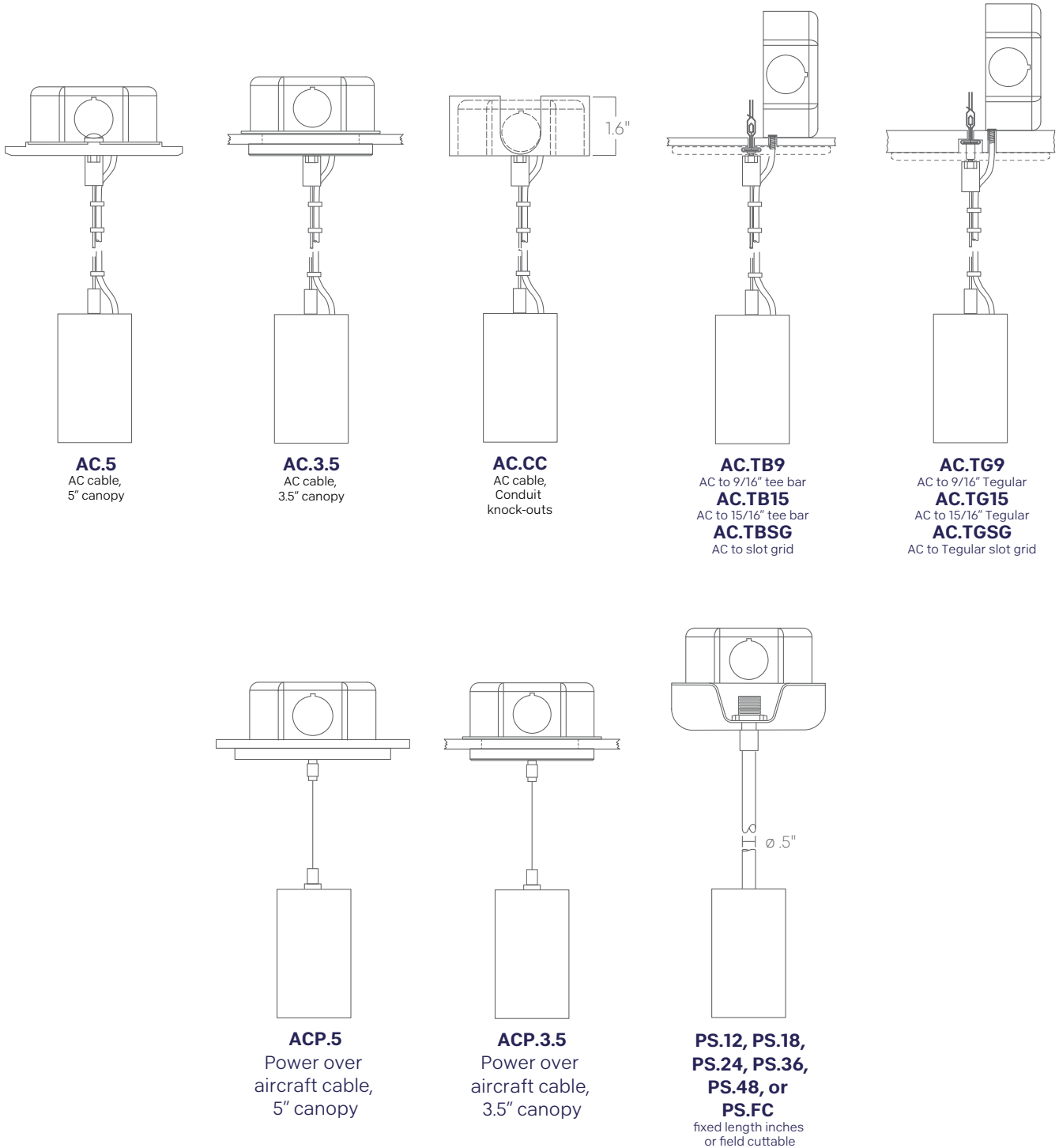
Runs of any length may be specified and are comprised of multiple, factory-engineered, joined sections. Individually specified luminaires are not field joinable.



Representative joinery. For product specific details see installation guides or submittal drawings.

Mounting Options

Custom mounting types and ceiling transitions available; consult factory.
Mounting and power feed locations will be added to approval drawings on request.



To prevent damage to fixtures, factory designated suspension points must not be field altered.
Do not attempt installation if you do not understand the installation instructions.

Example Patterns

Outward



Inward



Custom

