

# Orb 12

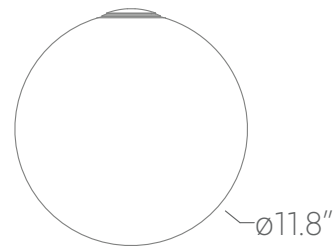


A sleek, spherical luminaire with a stem mount, available in a twelve inch diameter with two shades to fit in any modern space.

## Features

- Metal pendant stem mounting
- Remote and dimmable drivers
- Aluminum core LED boards
- Specifiable color temperature. CRI > 90, R9 > 50
- 5 Year, 50,000 hour warranty, damp location rated

## Dimensions



## Optional Shades




Mars



Venus Astra

## Ordering Information

For each option group below specify one option. If you don't see your preferred option listed, contact us for [help](#).

1	Fixture ID	2	Shade	3	Color Temperature	4	Output								
	<b>ORB.12</b>	<b>NA</b>	No shade	<b>27</b>	2700K/90 CRI	<b>MED</b>	Medium output								
		<b>MRS</b>	Mars 17-inch nominal shade. See page 3 for details.	<b>30</b>	3000K/90 CRI										
		<b>VNAST</b>	Venus Astra 14-inch nominal shade See page 3 for details.	<b>35</b>	3500K/90 CRI										
				<b>40</b>	4000K/90 CRI										
5	Voltage	6	Driver	7	Outer shade finish	8	Finial Finish								
	<b>UNV</b> Universal (120/277V)	<b>DB</b>	Standard 0-10V 1%	<b>W</b>	White	<b>W</b>	White								
		<b>DB.1%</b>	0-10V 0.1%	<b>BLK</b>	Black	<b>BLK</b>	Black								
		<b>ELV</b>	Reverse phase 1% (120V only)	<b>GLD</b>	Pearl gold (RAL1036)	<b>GLD</b>	Pearl gold (RAL1036)								
		<b>TRI</b>	Forward phase	<b>BLU</b>	Gentian blue (RAL5010)	<b>BLU</b>	Gentian blue (RAL5010)								
		<b>LDE1</b>	Lutron Digital EcoSystem	<b>RED</b>	Carmine red (RAL3002)	<b>RED</b>	Carmine red (RAL3002)								
		<b>DALI</b>	DALI-2 driver	<b>CC</b>	Custom color <a href="#">See finish options here</a>	<b>CC</b>	Custom color <a href="#">See finish options here</a>								
		<b>PoE</b>	Power over ethernet	<b>NA</b>	None Only specify if no shade.	<b>NA</b>	None Only specify if no shade.								
		<b>DMX</b>	DMX512 All DMX drivers set to default address 001 and provided in remote enclosures. Contact us for other addressing needs.												
		<b>JAB</b>	JAB compliant 1% dimming												
9	Stem finish	10	Canopy finish	11	Mounting	12	Sensors/Controls								
	<b>W</b> White	<b>W</b> White		<b>PS.X</b>	Pendant stem with standard 5-inch canopy. 12, 18, 24, 36, or 48 in. Consult factory for lengths not shown.	<b>NA</b>	None								
	<b>BLK</b> Black	<b>BLK</b> Black				<b>AWNDR</b>	Lutron Athena wireless node								
	<b>CC</b> Custom color <a href="#">See finish options here</a>	<b>CC</b> Custom color <a href="#">See finish options here</a>		<b>PSFC</b>	Field cuttable pendant stem 94 in. stem field cuttable to any length.	<b>CCS</b>	Casambi module								
	<b>NA</b> None No stem. Cable mount.														
13	Circuit	<h2>Performance</h2>													
	<b>NA</b> None	<table border="1"> <thead> <tr> <th>Shade<sup>1</sup></th> <th>Watts</th> <th>Lumens</th> <th>LPW</th> </tr> </thead> <tbody> <tr> <td>NA</td> <td>16</td> <td>1020</td> <td>64</td> </tr> </tbody> </table>						Shade <sup>1</sup>	Watts	Lumens	LPW	NA	16	1020	64
Shade <sup>1</sup>	Watts	Lumens	LPW												
NA	16	1020	64												
	<b>EMPCK</b> Emergency battery pack	<p><sup>1</sup>Based on a typically configured 90 CRI, 3500K luminaire using one driver. MR lamps are 8 Watts, 383 lumens each. Custom outputs available. Please consult factory. For 4000K multiply by 1.05; for 3000K, 0.96; for 2700K, 0.92.</p>													
	<b>EMCKT</b> Emergency circuit May require additional power feeds.														

# Orb 12

## Drivers & Electrical

Remote, dimmable drivers are supplied in enclosures. Linear dimming curve by default. Consult factory for logarithmic options.

For remote driver box sizes, click [here](#).

## Emergency Back-Up

A 6W remote emergency driver may be wired. Emergency circuits for use with building generators are also available.

## Weight

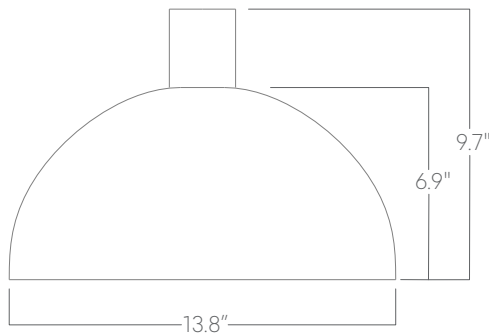
## Shade Shapes

## Optics

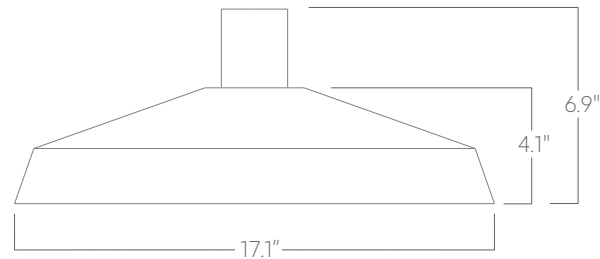
Glass optic provides excellent diffusion and no LED imaging.

## Finishes

Pendant stem is made of steel tubing. The standard color of the stem is black. The outer shades can specified to match any RAL color. The inner shade is always white.



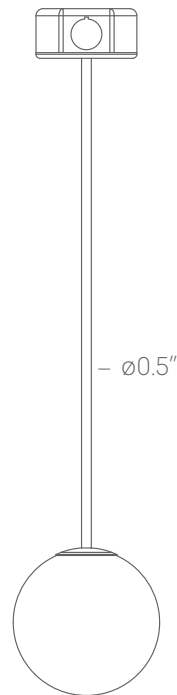
**Venus Astra**



**Mars**

## Mounting Options

Custom mounting types and ceiling transitions available; consult factory.  
Mounting and power feed locations will be added to approval drawings on request.



**Pendant stem**

Please consult factory shop drawings for suspension points.

To prevent damage to fixtures, factory designated suspension points must not be field altered.

Do not attempt installation if you do not understand the installation instructions.