

# STFU Fold

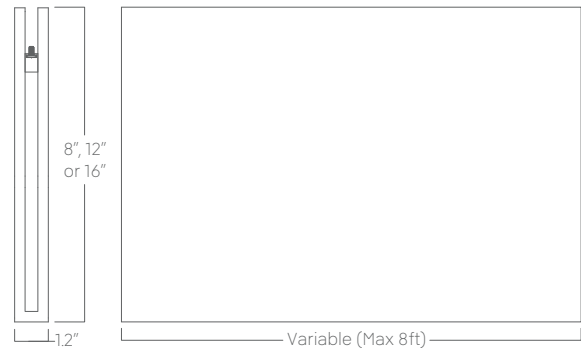


For noise reduction and architectural lighting in one, the STFU series offers a wide range of acoustic felt colors, shapes, profiles, and mounting options. Custom lengths are tailored to suit any modern space.

## Features

- Panels include extruded aluminum mounting channels
- 24 specifiable colors of recycled PET acoustic felt
- Group to achieve your sound control and design goals
- Combine with Coronet luminaires of your choice
- Class-A fire rating
- Fire Spread Index of 0 & Smoke Development Index of 200
- 5 Year, 50,000 hour warranty, damp location rated
- WELL Building Standard compatible [learn more](#)

## Dimensions



# STFU Fold

## Ordering Information

For each option group below specify one option. If you don't see your preferred option listed, contact us for [help](#).

1	Fixture ID	2	Felt Height	3	Felt Length	4	Felt Finish
	STFU.FOLD	<b>FH8</b>	8 inch felt height	<b>X</b>	Specify felt length 8ft max length	<b>FW</b>	White felt
		<b>FH12</b>	12 inch felt height			<b>FBLK</b>	Black felt
		<b>FH16</b>	16 inch felt height			<b>FGRY</b>	Grey felt
						<b>F/</b>	Any available felt color See options on page 4
5	Mounting						
	<b>AC.X</b>	AC cable; 50" field cuttable Specify canopy: 5"; 3.5" (plaster-in); CC (conduit knock-outs).					
	<b>ACTB.X</b>	Aircraft cable to Tbar clip Specify 9/16th; 15/16th; or Slot.					
	<b>ACTG.X</b>	Aircraft cable to Tegular clip Specify 9/16th; 15/16th; or Slot.					
	<b>ACU</b>	AC to unistrut					

## Technical Information

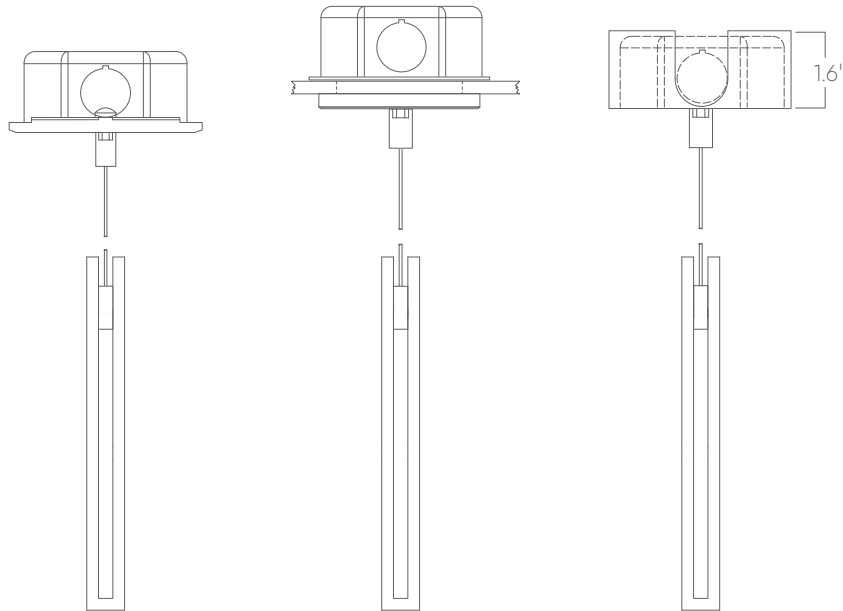


click [here](#) or scan QR code

Wiring diagrams, PoE and sensor details

## Mounting Options

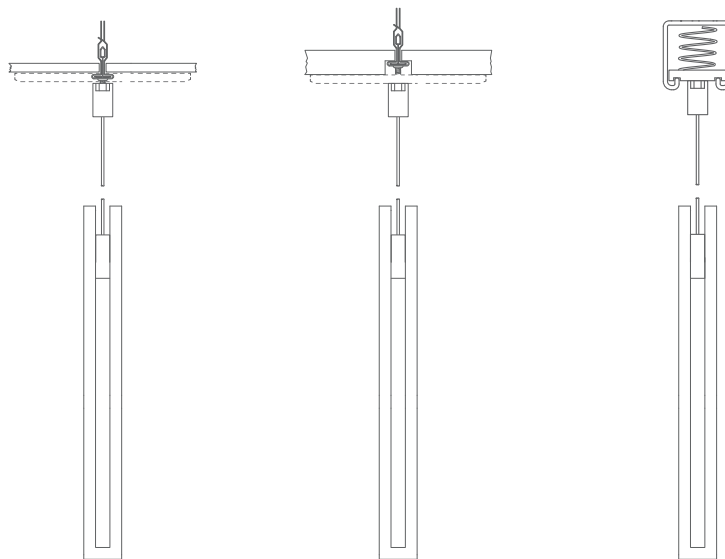
Custom mounting types and ceiling transitions available; consult factory.  
Mounting locations will be added to approval drawings on request.



**AC.5"**  
AC cable,  
5" canopy

**AC.3.5"**  
AC cable,  
3.5" canopy

**AC.CC**  
AC cable,  
Conduit knock-outs



**ACTB.X**  
AC cable,  
Tbar: 9/16", 15/16", or Slot

**ACTG.X**  
AC cable,  
Tegular: 9/16" or 15/16"

**ACU**  
AC cable  
to unistrut

To prevent damage to fixtures, factory designated suspension points must not be field altered.  
Do not attempt installation if you do not understand the installation instructions.

# STFU Fold

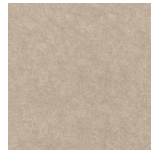
## Acoustic Felt Colors



White



Marbled Grey



Taupe



Dark Khaki



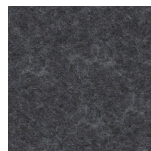
Stone



Spice



Mocha



Grey



Charcoal



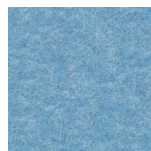
Black



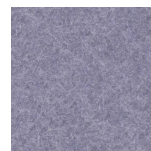
Sailor Blue



True Blue



Sky Blue



Periwinkle



Pink Panther



Purple Orchid



Violet



Maroon



Red Rose



Pumpkin



Sunshine



Lime

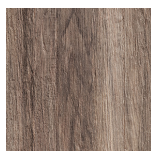


Emerald



Sage

## Acoustic Felt Wood Grain



Weathered Oak



Chestnut



Oak



Light Teak

Please note that colors may vary depending on screen settings. For an accurate representation, please request a sample.