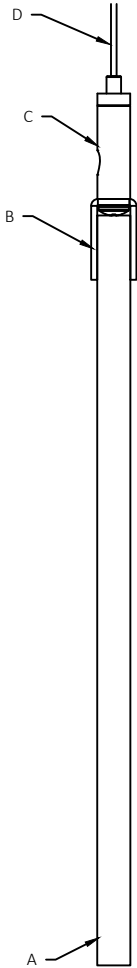


INSTALLATION GUIDE-PENDANT



Risk of fire and electrical shock. In accordance with national local building and electrical codes, CORONET lighting fixtures must be installed by a qualified electrician.

SIDE VIEW



PART LIST

- A-Acoustic Panel
- B-Extrusion Channel
- C-Female Gripper
- D-Aircraft Cable

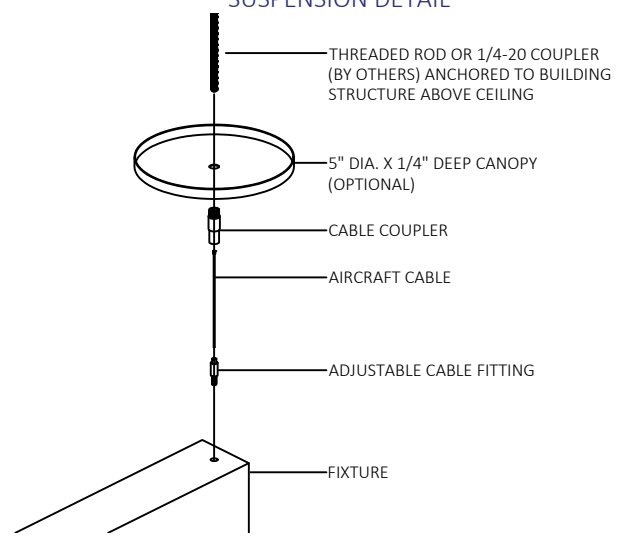
SIDE VIEW



MOUNTING DIMENSIONS

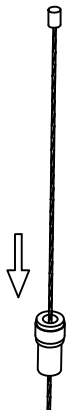
PLEASE CONSULT FACTORY SHOP DRAWINGS FOR SUSPENSION POINTS.

SUSPENSION DETAIL



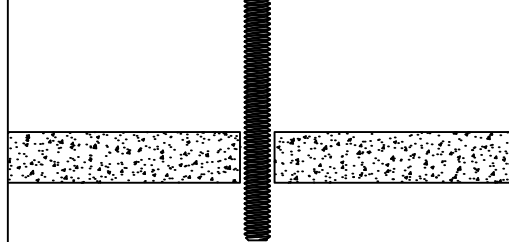
*NOTE: INSTALLATION SHOWN WITH STFU GLIDE, HOWEVER IT APPLIES WITH STFU FOLD AS WELL.

1



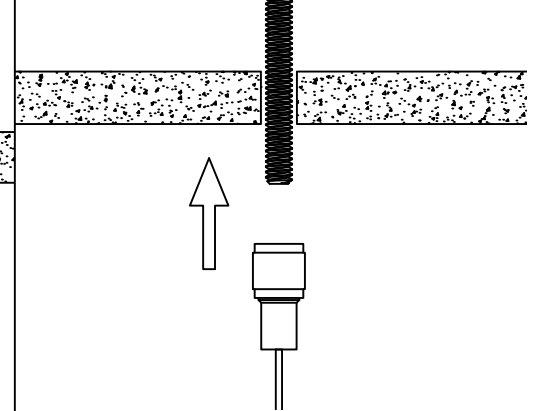
Run the aircraft cable through the cable coupler.

2



Using a threaded rod or 1/4-20 coupler, secure it to the building structure above the ceiling.

3



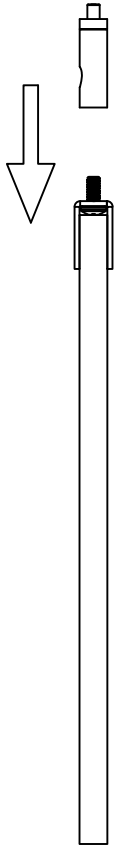
Secure the cable coupler to the threaded rod.

*NOTE: THREADED ROD MUST BE SOLIDLY FIXED TO THE CEILING AND ATTACHED TO THE STRUCTURAL MEMBER INSIDE THE CEILING BEFORE PROCEEDING WITH INSTALLATION.



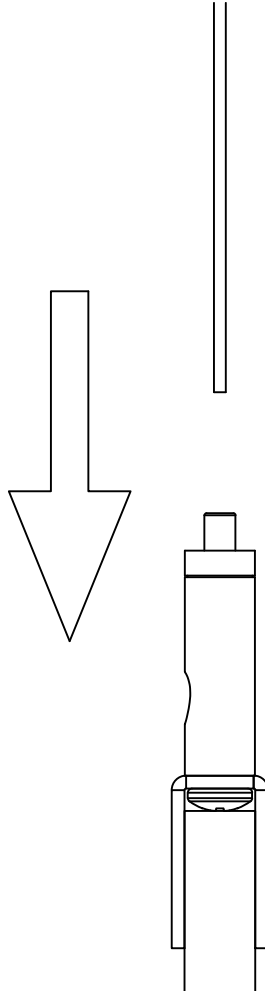
Risk of fire and electrical shock. In accordance with national local building and electrical codes, CORONET lighting fixtures must be installed by a qualified electrician.

5



Screw the cable gripper on to the screw at the top of the extrusion channel.

6



Insert the aircraft cable into the cable grippers on both sides of the acoustic panel.



Adjust the aircraft cables until the desired height is achieved.
Note: Acoustic panel must be level.

GENERAL INSTALLATION CONSIDERATIONS - See submittal drawings for job specific data.

Weight.....1 lb/ft
Dimensions.....See submittal drawings

- Installation by a certified electrician only.
- Read and understand the installation instructions before attempting to install or use the fixture.
- Do not use the fixture if the housing or acoustic panel is damaged.
- The external flexible cable of this luminaire cannot be field replaced; if the cord is damaged, contact Coronet.

Please contact our technical support team for assistance.

NOTE: THREADED ROD MUST BE SOLIDLY FIXED TO THE CEILING AND ATTACHED TO THE STRUCTURAL MEMBER INSIDE THE CEILING BEFORE PROCEEDING WITH INSTALLATION.