

Multi direct

>90 CRI
up to
75
lumens / watt

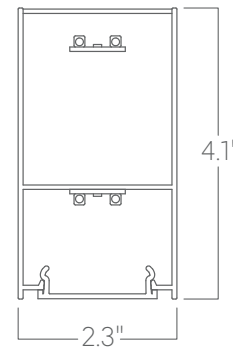


The Multi integrates linear and track lighting into one. Compatible with HTEK, TEK, and Stucchi tracks, it's a versatile platform for our Point track heads.

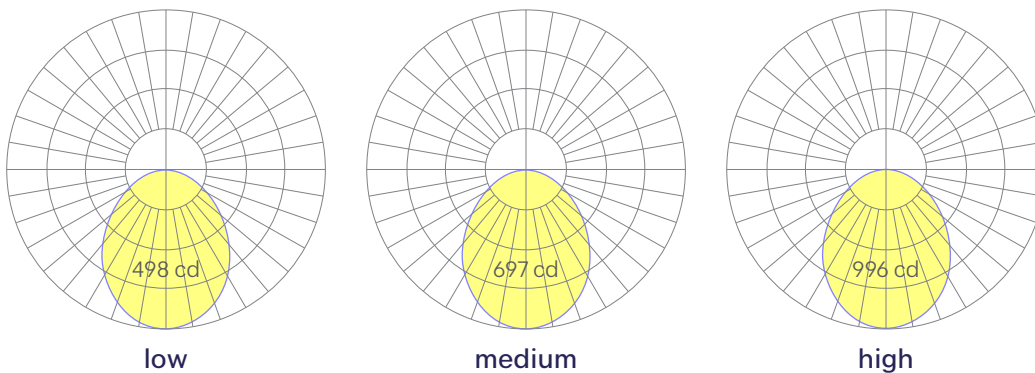
Features

- Linear plus integral track for versatile downlighting
- Compatible with our Point track heads, [learn more](#)
- Extruded, recycled aluminum housing
- Aluminum core LED boards, specifiable optics
- Specifiable color temperature. CRI > 90, R9 > 70
- 5 Year, 50,000 hour warranty, damp location rated

Dimensions



Optics




Representative distribution and peak candela. For other options see order information or IES files [here](#).

Multi direct

Ordering Information

For each option group below specify one option. If you don't see your preferred option listed, contact us for [help](#).

1	Fixture ID	2	Length	3	Color Temperature	4	Output																
MULTI		PAT	Pattern Submit drawing; See page 5 for details.	27	2700K/90 CRI	LOW	Low output																
				30	3000K/90 CRI	MED	Medium output																
				35	3500K/90 CRI	HIGH	High output																
				40	4000K/90 CRI	CUST	Custom output Specify watts or lumens: Up to 13W/ft max. Down to 6W/driver min.																
				50	5000K/90 CRI	NA	None Only specify if linear LED isn't required.																
				TW	Tunable White 2700K-6500K Must use TW10 driver.																		
				RGBW30	RGB +white; 3000k Must use remote DMX driver.																		
				RGBW35	RGB +white; 3500k Must use remote DMX driver.																		
				RGBW40	RGB +white; 4000k Must use remote DMX driver.																		
				WD	Warm Dim 2200K-3000K Must use WD10 driver.																		
				NA	None Only specify if linear LED isn't required.																		
5	Track	6	Voltage	7	Driver	8	Housing Finish																
HTEK	Global 277V 2-Circuit; 2-Neutral Compatible	120V	120 volts	DB	Standard 0-10V 1%	W	White																
TEK	Global 120V 2-Circuit; 2-Neutral Compatible	277V	277 volts	DB.1%	0-10V 0.1%	BLK	Black																
STCHI	Stucchi 120V/277V 2-Circuit; 2-Neutral Compatible			ELV	Reverse phase 1% (120V only)	SLV	Silver																
NA	None			TRI	Forward phase	CC	Custom color See finish options here																
				LDE1	Lutron Digital EcoSystem	CCW	Custom wood finish See finish options here																
				JA8	JA8 compliant 1% dimming																		
				DALI	DALI-2 driver																		
				PoE	Power over ethernet																		
				TW10	2 channel 0-10V for tunable white																		
				WD10	0-10V warm dimming																		
				DMX	DMX512 All DMX drivers set to default address 001 and provided in remote enclosers. Contact us for other addressing needs.																		
				NA	None Only specify if linear LED isn't required.																		
9	Track Finish	10	Mounting	11	Optics	12	Sensors/Controls																
GRY	Grey	AC	AC cable (50 in.)	SD	Standard diffuser	NA	None																
BLK	Black	AC3.5	3.5 in. canopy + Jbox adaptor Adaptor must be mudded-in.	NA	No lens Only specify if linear LED isn't required.	ACM	Acuity nLight- module only																
W	White	ACCC	AC cable To conduit pipe canopy.			CCS	Casambi module																
						AWN	Lutron Athena wireless node																
						OTHER	Consult factory																
13	Circuit	14	Options	<h3>Performance</h3> <table border="1"> <thead> <tr> <th>Output¹</th> <th>Watts/ft</th> <th>Lumens/ft</th> <th>LPW</th> </tr> </thead> <tbody> <tr> <td>Low</td> <td>3.5</td> <td>264</td> <td>75</td> </tr> <tr> <td>Medium</td> <td>5.5</td> <td>403</td> <td>73</td> </tr> <tr> <td>High</td> <td>7.5</td> <td>522</td> <td>70</td> </tr> </tbody> </table> <p>¹Based on a typically configured 90 CRI, 3500K luminaire using one driver. Custom outputs available. Please consult factory. For 4000K multiply by 1.05; for 3000K, 0.9; for 2700K, 0.92. For Warm Dim multiply by .80.</p>  <p>Wiring diagrams, PoE and sensor details Click or Scan</p>				Output ¹	Watts/ft	Lumens/ft	LPW	Low	3.5	264	75	Medium	5.5	403	73	High	7.5	522	70
Output ¹	Watts/ft	Lumens/ft	LPW																				
Low	3.5	264	75																				
Medium	5.5	403	73																				
High	7.5	522	70																				
NA	None	NA	None																				
EMPCK	Emergency battery pack	STD	White canopy/cord/stem																				
EMCKT	Emergency circuit May require additional power feeds.	CAN.X	Canopy + color See finish options here																				
DAYCKT	Daylight circuit May require additional power feeds.	SJ.BLK	Black cord																				
		SJ.WHT	White cord																				
		MPD	Mounting + power drawings Mounting and power feed locations will be added to approval drawings. See additional information here.																				

Multi direct

Drivers & Electrical

Integral drivers* with 0-10V Dimming standard. Several other driver options available; see ordering information. All driver options are for the NON-TRACK portion of the fixture.

*DMX drivers are provided in remote enclosures.

Sensors & Controls

Sensors are installed on an aluminum plate adjacent to the luminaire lens¹. Coronet remains agnostic in our approach to sensors and control systems; our fixtures are compatible with most systems offered. All control options are for NON-TRACK portion of the fixture.

¹Not applicable to indirect only models. Consult factory.

Emergency Back-Up

For fixtures three-feet or longer, a 6W emergency driver may be wired to 4ft sections. A 10W driver is also available (consult factory). Emergency circuits for use with building generators are also available. All emergency battery pack and circuit options are for NON-TRACK portion of the fixture.

PoE (Power over Ethernet)

Compatible with virtually all PoE systems including Molex Coresync, Smartengine, Platformatics, and NuLED SPICEbox. Consult factory for systems not listed. See [here](#) for more info.

Finishes

All luminaires are finished in high quality polyester powder coating. Our standard color is white. Any RAL color may be specified.

Weight

5 lbs per foot

Patterns

Featuring illuminated welded corners and angles. Consult factory for custom designs and elevations.

Optics

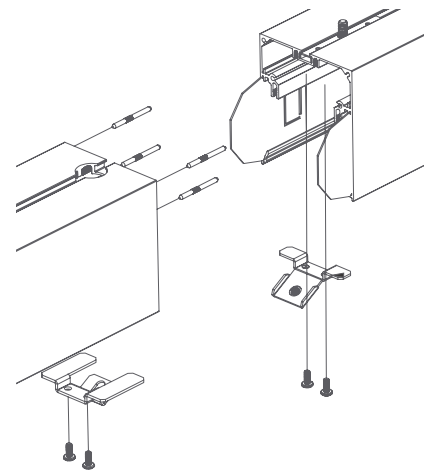
Extruded satin acrylic lenses provide excellent diffusion, high transmission, and no LED imaging.

Construction

Housings are extruded premium, recycled aluminum. Individual fixtures are available up to 12' long and may be specified as nominal or precision lengths. Precision lengths are supplied within 1/8" tolerance.

Joined Runs

Runs of any length may be specified and are comprised of multiple, factory-engineered, joined sections. Individually specified luminaires are not field joinable.



Representative joinery. For product specific details see installation guides or submittal drawings.

Square

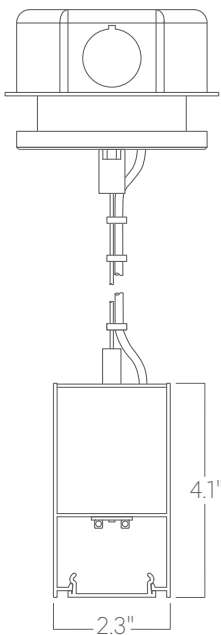


T

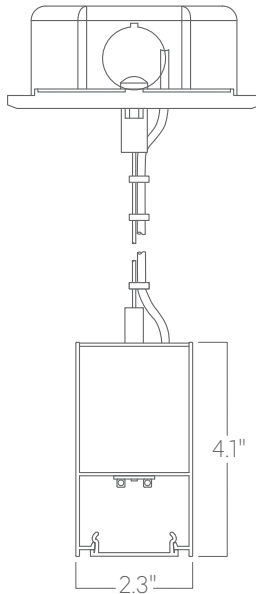


Mounting Options

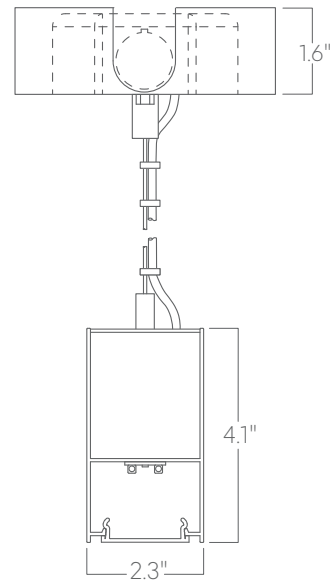
Custom mounting types and ceiling transitions available; consult factory.
Mounting and power feed locations will be added to approval drawings on request.



**Aircraft cable
3.5" canopy**



**Aircraft cable
5" canopy**



**Aircraft cable
Conduit canopy
with knockouts**

Please consult factory shop drawings for suspension points.

To prevent damage to fixtures, factory designated suspension points must not be field altered.

Do not attempt installation if you do not understand the installation instructions.

Multi direct

Sample Sketch

Please submit a sketch that indicates the following:

- lengths of the track, lens, and total length of fixture
- locations of the track and lens

See the below example.

