

# Multi indirect/direct

>90 CRI  
up to  
**125**  
lumens / watt

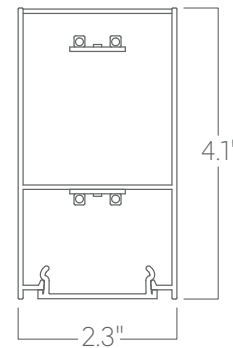


The Multi integrates linear and track lighting into one. Compatible with HTEK, TEK, and Stucchi tracks, it's a versatile platform for our Point track heads.

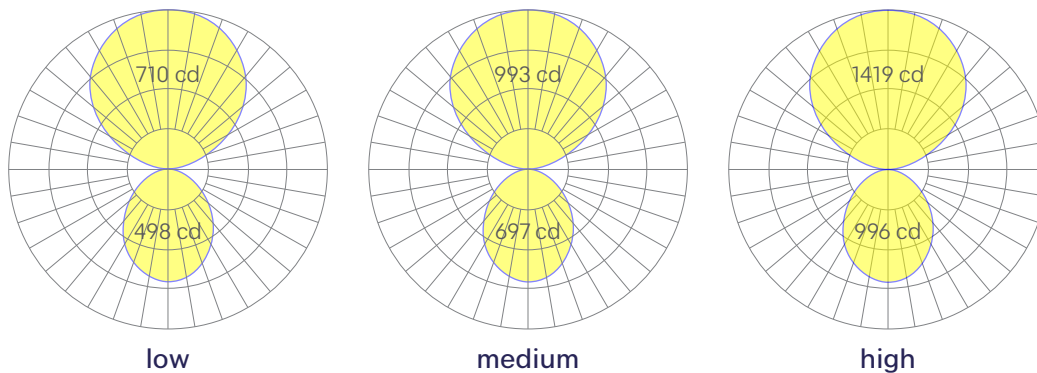
## Features

- Linear plus integral track for versatile downlighting
- Compatible with our Point track heads, [learn more](#)
- Extruded, recycled aluminum housing
- Aluminum core LED boards, specifiable optics
- Specifiable color temperature. CRI > 90, R9 > 70
- 5 Year, 50,000 hour warranty, damp location rated

## Dimensions



## Optics



Representative distribution and peak candela. For other options see order information or IES files [here](#).

# Multi indirect/direct

## Ordering Information

For each option group below specify one option. If you don't see your preferred option listed, contact us for [help](#).

1	Fixture ID	2	Length	3	Color Temperature	4	Indirect Output
	<b>MULTI.UPDN</b>	<b>PAT</b>	Pattern Submit drawing; See page 5 for details.	<b>27</b>	2700K/90 CRI	<b>LOW</b>	Low output
				<b>30</b>	3000K/90 CRI	<b>MED</b>	Medium output
				<b>35</b>	3500K/90 CRI	<b>HIGH</b>	High output
				<b>40</b>	4000K/90 CRI	<b>CUST</b>	Custom output Specify watts or lumens: Up to 13W/ft max. Down to 6W/driver min.
				<b>50</b>	5000K/90 CRI		
				<b>TW</b>	Tunable White 2700K-6500K Must use TW10 driver.		
				<b>RGBW30</b>	RGB +white; 3000k Must use remote DMX driver.		
				<b>RGBW35</b>	RGB +white; 3500k Must use remote DMX driver.		
				<b>RGBW40</b>	RGB +white; 4000k Must use remote DMX driver.		
				<b>WD</b>	Warm Dim 2200K-3000K Must use WD10 driver.		
5	Direct Output	6	Track	7	Voltage	8	Driver
<b>LOW</b>	Low output	<b>HTEK</b>	Global 277V 2-Circuit; 2-Neutral Compatible	<b>120V</b>	120 volts	<b>DB</b>	Standard 0-10V 1%
<b>MED</b>	Medium output	<b>TEK</b>	Global 120V 2-Circuit; 2-Neutral Compatible	<b>277V</b>	277 volts	<b>DB.1%</b>	0-10V 0.1%
<b>HIGH</b>	High output	<b>STCHI</b>	Stucchi 120V/277V 2-Circuit; 2-Neutral Compatible			<b>ELV</b>	Reverse phase 1% (120V only)
<b>CUST</b>	Custom output Specify watts or lumens: Up to 13W/ft max. Down to 6W/driver min.	<b>NA</b>	None			<b>TRI</b>	Forward phase
<b>NA</b>	None Only specify if linear LED isn't required.					<b>LDE1</b>	Lutron Digital EcoSystem
						<b>JA8</b>	JA8 compliant 1% dimming
						<b>DALI</b>	DALI-2 driver
						<b>PoE</b>	Power over Ethernet
						<b>TW10</b>	2 channel 0-10V for tunable white
						<b>WD10</b>	0-10V warm dimming
						<b>DMX</b>	DMX512 All DMX drivers set to default address 001 and provided in remote enclosers. Contact us for other addressing needs.
9	Housing Finish	10	Track Finish	11	Mounting	12	Optics Indirect
<b>W</b>	White	<b>GRY</b>	Grey	<b>AC</b>	AC cable (50 in.)	<b>SD</b>	Standard diffuser
<b>BLK</b>	Black	<b>BLK</b>	Black	<b>AC3.5</b>	3.5 in. canopy + Jbox adaptor Adaptor must be mudded-in.		
<b>SLV</b>	Silver	<b>W</b>	White	<b>ACCC</b>	AC cable To conduit pipe canopy.		
<b>CC</b>	Custom color <a href="#">See finish options here</a>						
<b>CWF</b>	Custom wood finish <a href="#">See finish options here</a>						
13	Optics Direct	14	Sensors/Controls	15	Circuit	16	Options
<b>SD</b>	Standard diffuser	<b>NA</b>	None	<b>NA</b>	None	<b>NA</b>	None
<b>NA</b>	No lens Only specify if linear LED isn't required.	<b>ACM</b>	Acuity nLight- module only	<b>EMPCK</b>	Emergency battery pack	<b>STD</b>	White canopy/cord/stem
		<b>CCS</b>	Casambi module	<b>EMCKT</b>	Emergency circuit May require additional power feeds.	<b>CAN.X</b>	Canopy + color <a href="#">See finish options here</a>
		<b>AWNR</b>	Lutron Athena wireless node	<b>DAYCKT</b>	Daylight circuit May require additional power feeds.	<b>SJ.BLK</b>	Black cord
		<b>OTHER</b>	Consult factory			<b>SJ.WHT</b>	White cord
						<b>MPD</b>	Mounting + power drawings Mounting and power feed locations will be added to approval drawings. <a href="#">See additional information here</a> .

# Multi indirect/direct

## Drivers & Electrical

Integral drivers\* with 0-10V Dimming standard. Several other driver options available; see ordering information. All driver options are for the NON-TRACK portion of the fixture.

\*DMX drivers are provided in remote enclosures.

## Sensors & Controls

Sensors are installed on an aluminum plate adjacent to the luminaire lens<sup>1</sup>. Coronet remains agnostic in our approach to sensors and control systems; our fixtures are compatible with most systems offered. All control options are for NON-TRACK portion of the fixture.

<sup>1</sup>Not applicable to indirect only models. Consult factory.

## Emergency Back-Up

For fixtures three-feet or longer, a 6W emergency driver may be wired to 4ft sections. A 10W driver is also available (consult factory). Emergency circuits for use with building generators are also available. All emergency battery pack and circuit options are for NON-TRACK portion of the fixture.

## PoE (Power over Ethernet)

Compatible with virtually all PoE systems including Molex Coresync, Smartengine, Platformatics, and NuLED SPICEbox. Consult factory for systems not listed. See [here](#) for more info.

## Finishes

All luminaires are finished in high quality polyester powder coating. Our standard color is white. Any RAL color may be specified.

## Weight

5 lbs per foot

## Patterns

Featuring illuminated welded corners and angles. Consult factory for custom designs and elevations.

**Square**



**T**



## Performance

Output <sup>1</sup>	Indirect			Direct		
	Watts/ft	Lumens/ft	LPW	Watts/ft	Lumens/ft	LPW
Low	3.5	437	125	3.5	264	75
Medium	5.5	668	121	5.5	403	73
High	7.5	865	115	7.5	522	70

<sup>1</sup>Based on a typically configured 90 CRI, 3500K Luminaire using one driver. Custom outputs available. Please consult factory. For 4000K multiply by 1.05; for 3000K, 0.9; for 2700K, 0.92.

## Optics

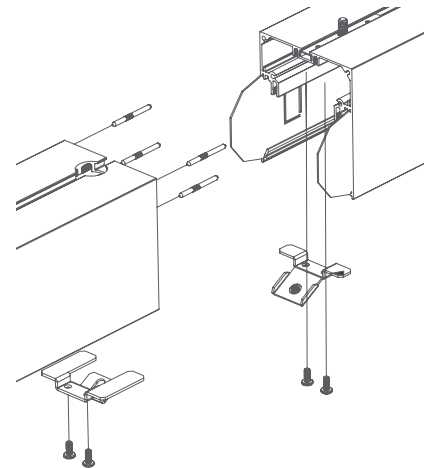
Extruded satin acrylic lenses provide excellent diffusion, high transmission, and no LED imaging.

## Construction

Housings are extruded premium, recycled aluminum. Individual fixtures are available up to 12' long and may be specified as nominal or precision lengths. Precision lengths are supplied within 1/8" tolerance.

## Joined Runs

Runs of any length may be specified and are comprised of multiple, factory-engineered, joined sections. Individually specified luminaires are not field joinable.



Representative joinery. For product specific details see installation guides or submittal drawings.

## Technical Information



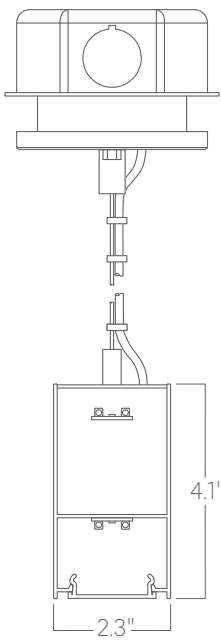
click [here](#) or scan QR code

Wiring diagrams, PoE and sensor details

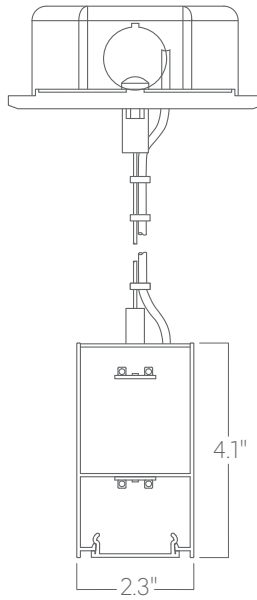
# Multi indirect/direct

## Mounting Options

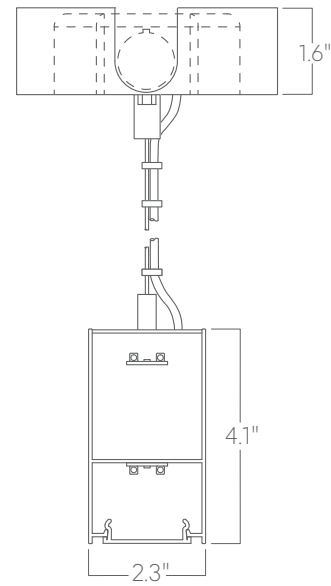
Custom mounting types and ceiling transitions available; consult factory.  
Mounting and power feed locations will be added to approval drawings on request.



**Aircraft cable  
3.5" canopy**



**Aircraft cable  
5" canopy**



**Aircraft cable  
Conduit canopy  
with knockouts**

Please consult factory shop drawings for suspension points.

To prevent damage to fixtures, factory designated suspension points must not be field altered.

Do not attempt installation if you do not understand the installation instructions.

# Multi indirect/direct

## Sample Sketch

Please submit a sketch that indicates the following:

- lengths of the track, lens, and total length of fixture
- locations of the track and lens

See the below example.

