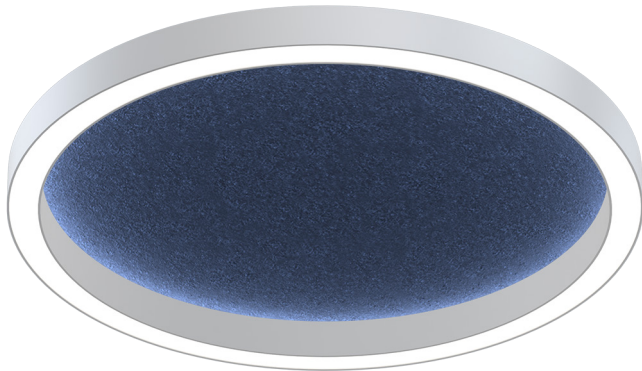


# Ring 5ft STFU TOP direct



For noise reduction and architectural lighting in one, the STFU series offers a wide range of acoustic felt colors, shapes, profiles, and mounting options.

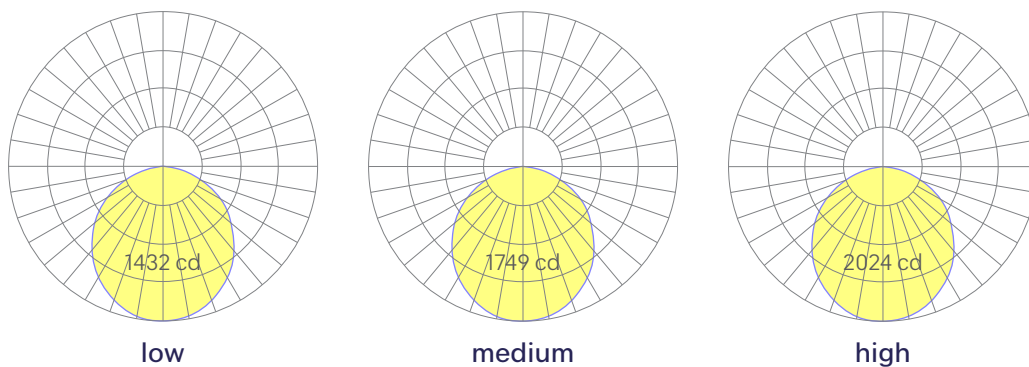
## Features

- 24 specifiable colors of recycled PET acoustic felt
- Noise Reduction Coefficient of .75 with a Class-A fire rating
- Fire Spread Index of 0 & Smoke Development Index of 200
- Rolled extruded aluminum
- Aluminum core LED boards, specifiable optics
- Specifiable color temperature. CRI > 90, R9 > 50
- Specifiable, dimmable drivers or PoE
- 5 Year, 50,000 hour warranty, damp location rated
- WELL Building Standard compatible [learn more](#)

## Dimensions



## Optics



Representative distribution and peak candela. For other options see order information or IES files [here](#).

# Ring 5ft STFU TOP direct

## Ordering Information

For each option group below specify one option. If you don't see your preferred option listed, contact us for [help](#).

1	Fixture ID	2	Length	3	Color Temperature	4	Output
	<b>RING.STFU.TP .5</b>	<b>5</b>	5 ft nominal diameter	<b>27</b>	2700K/90 CRI	<b>LOW</b>	Low output
				<b>30</b>	3000K/90 CRI	<b>MED</b>	Medium output
				<b>35</b>	3500K/90 CRI	<b>HIGH</b>	High output
				<b>40</b>	4000K/90 CRI	<b>CUST</b>	Custom output Specify watts or lumens
				<b>RGBW30</b>	RGB +white; 3000k Must use remote DMX driver		
				<b>RGBW35</b>	RGB +white; 3500k Must use remote DMX driver		
				<b>RGBW40</b>	RGB +white; 4000k Must use remote DMX driver		
5	Voltage	6	Driver	7	Housing Finish	8	Felt Finish
<b>UNV</b>	Universal (120/277V)	<b>DB</b>	Standard 0-10V 1%	<b>W</b>	White	<b>FW</b>	White felt
<b>347V</b>	347V	<b>PoE</b>	Power over ethernet	<b>BLK</b>	Black	<b>FBLK</b>	Black felt
				<b>CC</b>	Custom color <a href="#">See finish options here.</a>	<b>FGRY</b>	Grey felt
				<b>SLV</b>	Silver	<b>F/</b>	Any available felt color See options on page 4.
9	Mounting	10	Optics	11	Sensors/Controls	12	Circuit
<b>AC.CENT</b>	Central canopy 50 in. steel cable provided; White canopies & power cord	<b>SD</b>	Standard diffuser	<b>NA</b>	None	<b>NA</b>	None
<b>AC.MULT</b>	Individual suspension points 50 in. steel cable provided; White canopies & power cord			<b>ACM</b>	Acuity nLight- module only	<b>EMPCK</b>	Emergency battery pack
				<b>CCS</b>	Casambi module	<b>EMCKT</b>	Emergency circuit May require additional power feeds
				<b>AWNR</b>	Lutron Athena Wireless Node module	<b>DAYCKT</b>	Daylight circuit May require additional power feeds.
				<b>OTHER</b>	Consult factory		
				<b>ACAM</b>	Acuity nLight Air (r10)		
13	Options						
<b>STD</b>	White Canopy + white cord						
<b>CAN.X</b>	Canopy + color <a href="#">See finish options here.</a>						
<b>SJ.BLK</b>	Black cord						
<b>SJ.WHT</b>	White cord						

## Performance

Output <sup>1</sup>	Watts	Lumens	LPW
Low	62	4056	65
Medium	81	5273	65
High	100	6490	65

<sup>1</sup>Based on a typically configured 90 CRI, 3500K luminaire using one driver.  
Custom outputs available. Please consult factory.  
For 4000K multiply by 1.05; for 3000K, 0.9%; for 2700K, 0.92.  
For Warm Dim multiply by .80.



Wiring diagrams, PoE and sensor details  
Click or Scan

# Ring 5ft STFU TOP direct

## Drivers & Electrical

Remote, dimmable drivers are supplied in enclosures.  
For remote driver box sizes, click [here](#).

## Emergency Back-Up

Emergency, battery-powered drivers are available. Emergency circuits for use with building generators are also available.

## PoE (Power over Ethernet)

Compatible with virtually all PoE systems including Molex Coresync, Igor, Smartengine, Platformatics, and NuLED SPICEbox.

Consult factory for systems not listed. See [here](#) for more info.

## Weight

15 lbs

## Optics

Laser-cut, cast, high-transmission acrylic lens with no LED imaging.

## Construction

Rolled extruded aluminum.

## Finishes

All luminaires are finished in high quality polyester powder coating. Acoustic material is made of post-consumer recycled PET felt.

# Ring 5ft STFU TOP direct

## Acoustic Felt Colors



White



Marbled Grey



Taupe



Dark Khaki



Stone



Spice



Mocha



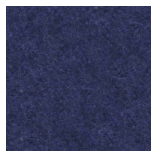
Grey



Charcoal



Black



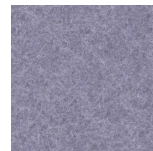
Sailor Blue



True Blue



Sky Blue



Periwinkle



Pink Panther



Purple Orchid



Violet



Maroon



Red Rose



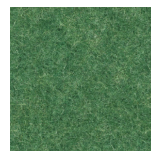
Pumpkin



Sunshine



Lime

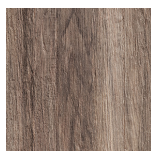


Emerald



Sage

## Acoustic Felt Wood Grain



Weathered Oak



Chestnut



Oak



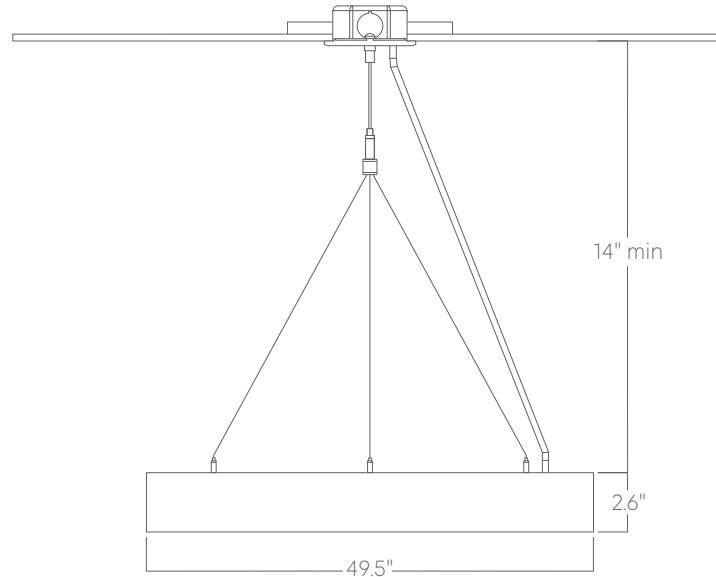
Light Teak

Please note that colors may vary depending on screen settings. For an accurate representation, please request a sample.

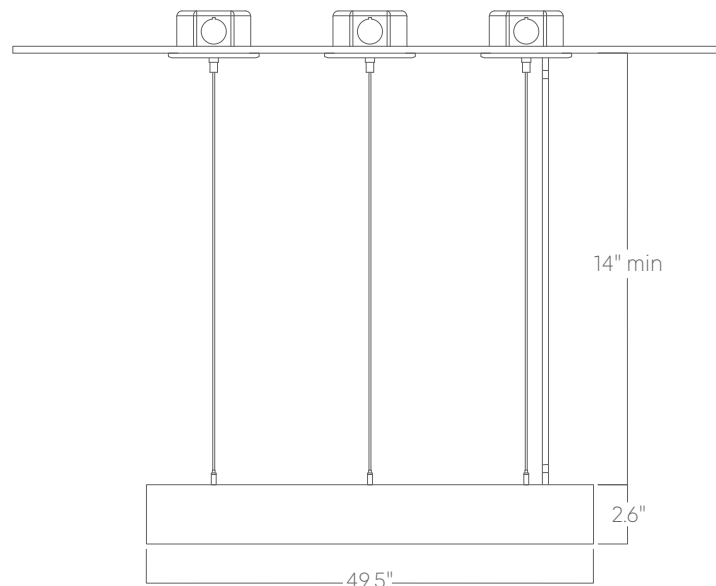
# Ring 5ft STFU TOP direct

## Mounting Options

Custom mounting types and ceiling transitions available; consult factory.  
Mounting and power feed locations will be added to approval drawings on request.



**Aircraft cable (Single canopy at the center)**



**Aircraft cable (individual susp. points)**

Please consult factory shop drawings for suspension points.

To prevent damage to fixtures, factory designated suspension points must not be field altered.

Do not attempt installation if you do not understand the installation instructions.