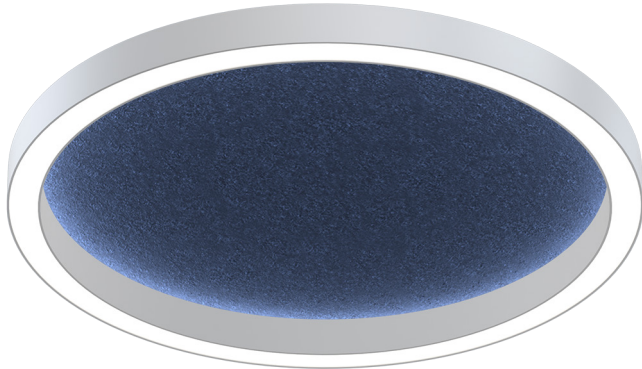


Ring 4ft STFU TOP direct

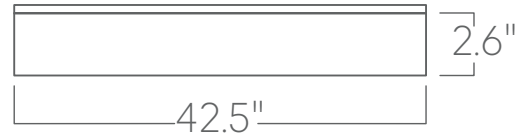


For noise reduction and architectural lighting in one, the STFU series offers a wide range of acoustic felt colors, shapes, profiles, and mounting options.

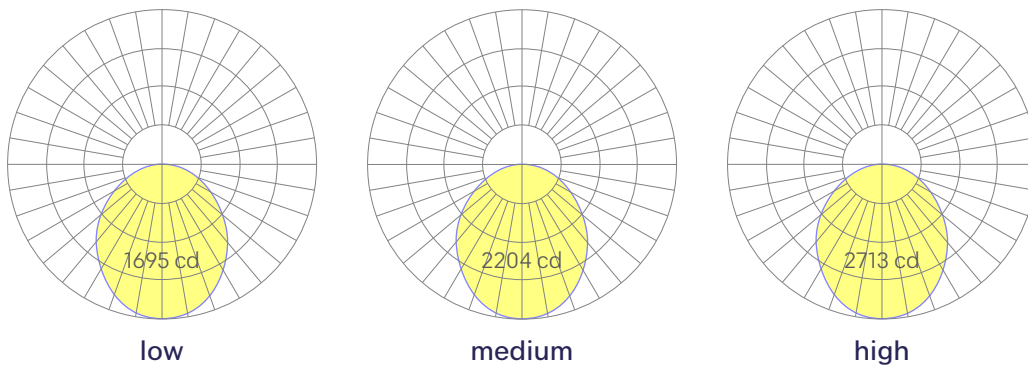
Features

- 24 specifiable colors of recycled PET acoustic felt
- Noise Reduction Coefficient of .75 with a Class-A fire rating
- Fire Spread Index of 0 & Smoke Development Index of 200
- Rolled extruded aluminum
- Aluminum core LED boards, specifiable optics
- Specifiable color temperature. CRI > 90, R9 > 50
- Specifiable, dimmable drivers or PoE
- 5 Year, 50,000 hour warranty, damp location rated
- WELL Building Standard compatible [learn more](#)

Dimensions



Optics



Representative distribution and peak candela. For other options see order information or IES files [here](#).

Ring 4ft STFU TOP direct

Ordering Information

For each option group below specify one option. If you don't see your preferred option listed, contact us for [help](#).

1	Fixture ID	2	Length	3	Color Temperature	4	Output
	RING.STFU.TP.4	4	4 ft nominal diameter	27	2700K/90 CRI	LOW	Low output
				30	3000K/90 CRI	MED	Medium output
				35	3500K/90 CRI	HIGH	High output
				40	4000K/90 CRI	CUST	Custom output Specify watts or lumens
				RGBW30	RGB +white; 3000k Must use remote DMX driver		
				RGBW35	RGB +white; 3500k Must use remote DMX driver		
				RGBW40	RGB +white; 4000k Must use remote DMX driver		
5	Voltage	6	Driver	7	Housing Finish	8	Felt Finish
UNV	Universal (120/277V)	DB	Standard 0-10V 1%	W	White	FW	White felt
347V	347V	PoE	Power over ethernet	BLK	Black	FBLK	Black felt
		DMX	DMX512 All DMX drivers set to default address 001 and provided in remote enclosers. Contact us for other addressing needs.	CC	Custom color See finish options here	FGRY	Grey felt
				SLV	Silver	F/	Any available felt color See options on page 4
9	Mounting	10	Optics	11	Sensors/Controls	12	Circuit
AC.CENT	Central canopy 50 in. steel cable provided; White canopies & power cord.	SD	Standard diffuser	NA	None	NA	None
AC.MULT	Individual suspension points 50 in. steel cable provided; White canopies & power cord.			ACM	Acuity nLight- module only	EMPCK	Emergency battery pack
				CCS	Casambi module	EMCKT	Emergency circuit May require additional power feeds
				AWNRR	Lutron Athena wireless node	DAYCKT	Daylight circuit May require additional power feeds.
				OTHER	Consult factory		
				ACAM	Acuity nLight Air (r10)		
13	Options						
NA	None						
STD	White canopy/cord/stem						
CAN.X	Canopy + color See finish options here						
SJ.BLK	Black cord						
SJ.WHT	White cord						

Performance

Output ¹	Watts	Lumens	LPW
Low	54	4395	81
Medium	70	5714	82
High	86	7032	82

¹Based on a typically configured 90 CRI, 3500K luminaire using one driver.
Custom outputs available. Please consult factory.
For 4000K multiply by 1.05; for 3000K, 0.9%; for 2700K, 0.92.
For Warm Dim multiply by .80.



Wiring diagrams, PoE and sensor details
Click or Scan

Ring 4ft STFU TOP direct

Drivers & Electrical

Remote, dimmable drivers are supplied in enclosures.
For remote driver box sizes, click [here](#).

Emergency Back-Up

Emergency, battery-powered drivers are available. Emergency circuits for use with building generators are also available.

PoE (Power over Ethernet)

Compatible with virtually all PoE systems including Molex Coresync, Igor, Smartengine, Platformatics, and NuLED SPICEbox.

Consult factory for systems not listed. See [here](#) for more info.

Weight

15 lbs

Optics

Laser-cut, cast, high-transmission acrylic lens with no LED imaging.

Construction

Rolled extruded aluminum.

Finishes

All luminaires are finished in high quality polyester powder coating. Acoustic material is made of post-consumer recycled PET felt.

Ring 4ft STFU TOP direct

Acoustic Felt Colors



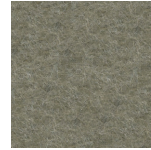
White



Marbled Grey



Taupe



Dark Khaki



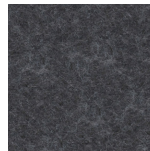
Stone



Spice



Mocha



Grey



Charcoal



Black



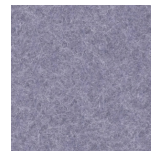
Sailor Blue



True Blue



Sky Blue



Periwinkle



Pink Panther



Purple Orchid



Violet



Maroon



Red Rose



Pumpkin



Sunshine



Lime

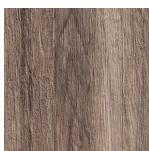


Emerald



Sage

Acoustic Felt Wood Grain



Weathered Oak



Chestnut



Oak



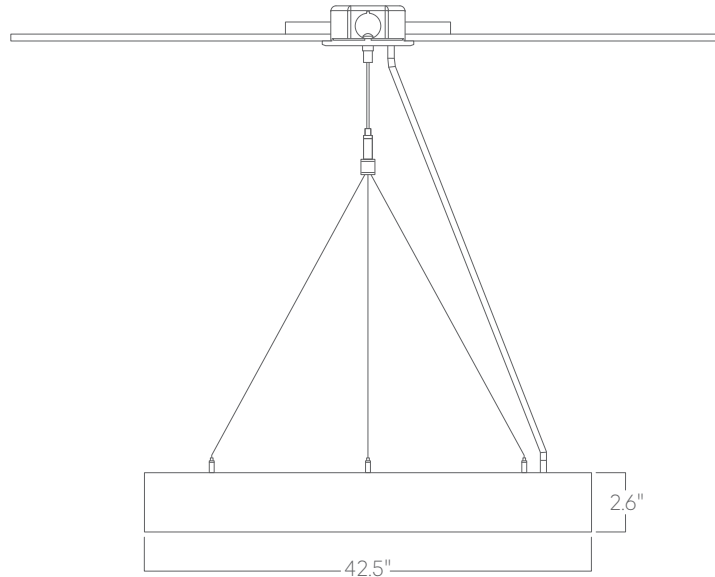
Light Teak

Please note that colors may vary depending on screen settings. For an accurate representation, please request a sample.

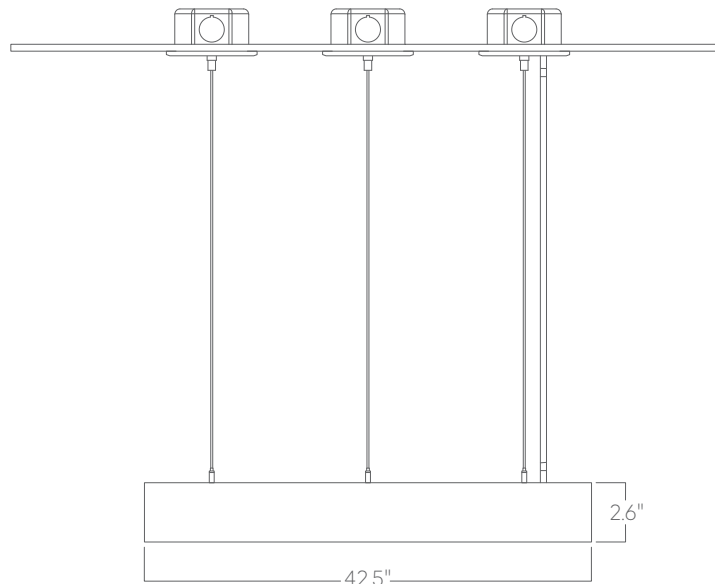
Ring 4ft STFU TOP direct

Mounting Options

Custom mounting types and ceiling transitions available; consult factory.
Mounting and power feed locations will be added to approval drawings on request.



Aircraft cable (Single canopy at the center)



Aircraft cable (individual susp. points)

Please consult factory shop drawings for suspension points.

To prevent damage to fixtures, factory designated suspension points must not be field altered.

Do not attempt installation if you do not understand the installation instructions.