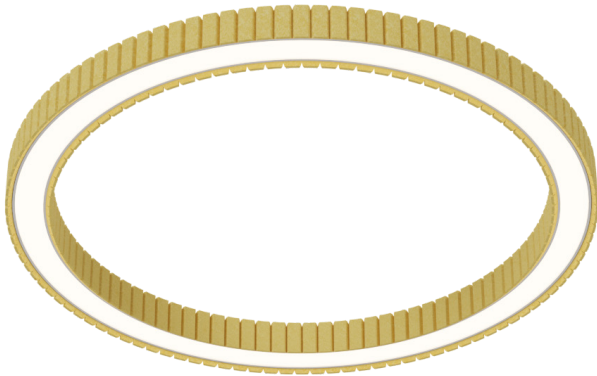


# Ring 4ft STFU indirect/direct

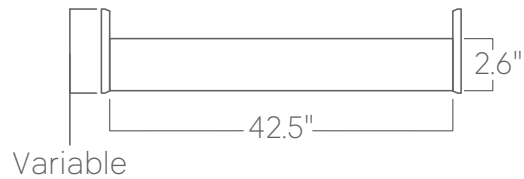


For noise reduction and architectural lighting in one, the STFU series offers a wide range of acoustic felt colors, shapes, profiles, and mounting options.

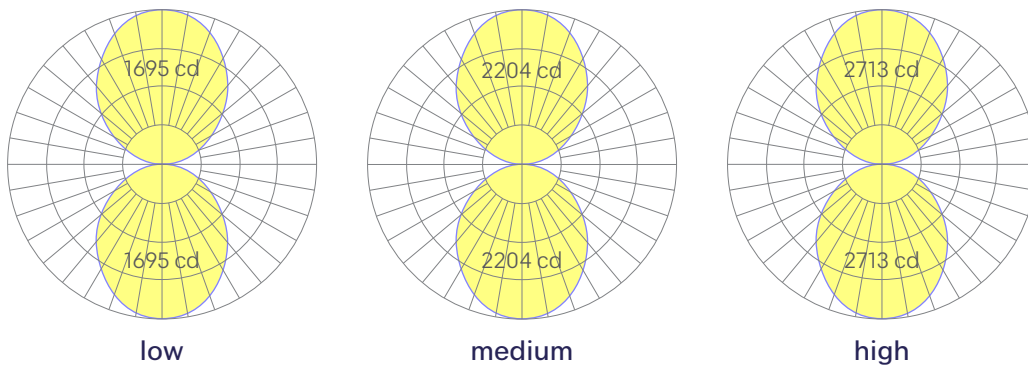
## Features

- 24 specifiable colors of recycled PET acoustic felt
- Noise Reduction Coefficient of .75 with a Class-A fire rating
- Fire Spread Index of 0 & Smoke Development Index of 200
- Rolled extruded aluminum
- Aluminum core LED boards, specifiable optics
- Specifiable color temperature. CRI > 90, R9 > 50
- Specifiable, dimmable drivers or PoE
- 5 Year, 50,000 hour warranty, damp location rated
- WELL Building Standard compatible [learn more](#)

## Dimensions



## Optics



Representative distribution and peak candela. For other options see order information or IES files [here](#).

# Ring 4ft STFU indirect/direct

## Ordering Information

For each option group below specify one option. If you don't see your preferred option listed, contact us for [help](#).

| 1  | Fixture ID  | 2  | Length   | 3   | Color Temperature  | 4  | IndirectOutput  |
|----|---|--|--|---|--|----|-----------------|
|    | RING.UPDN.STFU.WRP4   | 4  | 4 ft nominal diameter  | <b>27</b> 2700K/90 CRI<br><b>30</b> 3000K/90 CRI<br><b>35</b> 3500K/90 CRI<br><b>40</b> 4000K/90 CRI<br><b>RGBW30</b> RGB +white; 3000k<br><small>Must use remote DMX driver.</small><br><b>RGBW35</b> RGB +white; 3500k<br><small>Must use remote DMX driver.</small><br><b>RGBW40</b> RGB +white; 4000k<br><small>Must use remote DMX driver.</small> | <b>LOW</b> Low output<br><b>MED</b> Medium output<br><b>HIGH</b> High output<br><b>CUST</b> Custom output<br><small>Specify watts or lumens.</small> |    |                 |
| 5  | DirectOutput  | 6  | Voltage  | 7   | Driver   | 8  | Housing Finish  |
|    | <b>LOW</b> Low output<br><b>MED</b> Medium output<br><b>HIGH</b> High output<br><b>CUST</b> Custom output<br><small>Specify watts or lumens.</small>  | <b>UNV</b> Universal (120/277V)<br><b>347V</b> 347V  | <b>DB</b> Standard 0-10V 1%<br><b>DB.1%</b> 0-10V 0.1%<br><b>PoE</b> Power over ethernet<br><b>ELV</b> Reverse phase 1% (120V only)<br><b>TRI</b> Forward phase<br><b>JA8</b> JA8 compliant 1% dimming<br><b>DALI</b> DALI-2 driver<br><b>DMX</b> DMX512<br><small>All DMX drivers set to default address 001 and provided in remote enclosers. Contact us for other addressing needs.</small> | <b>W</b> White<br><b>BLK</b> Black<br><b>CC</b> Custom color<br><small><a href="#">See finish options here</a></small><br><b>SLV</b> Silver   |  |    |                 |
| 9  | Felt Finish   | 10   | Felt Height  | 11  | Mounting   | 12 | Optics Indirect |
|    | <b>FW</b> White felt<br><b>FBLK</b> Black felt<br><b>FGRY</b> Grey felt<br><b>F/</b> Any available felt color<br><small>See options on page 4</small> | <b>FH6</b> 6 inch felt height<br><b>FH8</b> 8 inch felt height<br><b>FH4</b> 4 inches<br><b>FH</b> Custom felt height  | <b>AC.CENT</b> Central canopy<br><small>50 in. steel cable provided; White canopies &amp; power cord.</small><br><b>AC.MULT</b> Individual suspension points<br><small>50 in. steel cable provided; White canopies &amp; power cord.</small>   | <b>SD</b> Standard diffuser   |  |    |                 |
| 13 | Optics Direct   | 14   | Sensors/Controls   | 15  | Circuit  | 16 | Options         |
|    | <b>SD</b> Standard diffuser   | <b>NA</b> None<br><b>ACM</b> Acuity nLight- module only<br><b>CCS</b> Casambi module<br><b>AWNRR</b> Lutron Athena wireless node<br><b>OTHER</b> Consult factory | <b>NA</b> None<br><b>10WEMP</b> 10W Emergency battery pack<br><b>EMCKT</b> Emergency circuit<br><small>May require additional power feeds.</small><br><b>DAYCKT</b> Daylight circuit<br><small>May require additional power feeds.</small><br><b>DC</b> Dual 0-10v control; dual power feed<br><b>DCSF</b> Dual 0-10v control; single power feed   | <b>NA</b> None<br><b>STD</b> White canopy/cord/stem<br><b>CAN.X</b> Canopy + color<br><small><a href="#">See finish options here</a></small><br><b>SJ.BLK</b> Black cord<br><b>SJ.WHT</b> White cord  |  |    |                 |

# Ring 4ft STFU indirect/direct

## Drivers & Electrical

Integral drivers\* with 0-10V Dimming standard. Several other driver options available; see ordering information.

\*DMX drivers are provided in remote enclosures.

## Emergency Back-Up

Emergency, battery-powered drivers are available. Emergency circuits for use with building generators are also available.

## PoE (Power over Ethernet)

Compatible with virtually all PoE systems including Moxel Coresync, Igor, Smartengine, Platformatics, and NuLED SPICEbox.

Consult factory for systems not listed. See [here](#) for more info.

## Weight

20 lbs

## Optics

Custom opal lens provides excellent diffusion, high transmission, and no LED imaging.

## Construction

Cold-rolled steel.

## Finishes

All luminaires are finished in high quality polyester powder coating. Acoustic material is made of post-consumer recycled PET felt.

## Performance

| Output <sup>1</sup> | Indirect |        |     | Direct |        |     |
|---------------------|----------|--------|-----|--------|--------|-----|
|                     | Watts    | Lumens | LPW | Watts  | Lumens | LPW |
| Low                 | 54       | 4395   | 81  | 54     | 4395   | 81  |
| Medium              | 70       | 5714   | 82  | 70     | 5714   | 82  |
| High                | 86       | 7032   | 82  | 86     | 7032   | 82  |

<sup>1</sup>Based on a typically configured 90 CRI, 3500K luminaire using one driver. Custom outputs available. Please consult factory. For 4000K multiply by 1.05; for 3000K, 0.96; for 2700K, 0.92.

## Technical Information



click [here](#) or scan QR code

Wiring diagrams, PoE and sensor details

# Ring 4ft STFU indirect/direct

## Acoustic Felt Colors



White



Marbled Grey



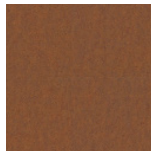
Taupe



Dark Khaki



Stone



Spice



Mocha



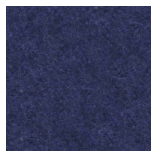
Grey



Charcoal



Black



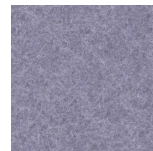
Sailor Blue



True Blue



Sky Blue



Periwinkle



Pink Panther



Purple Orchid



Violet



Maroon



Red Rose



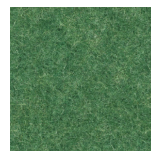
Pumpkin



Sunshine



Lime

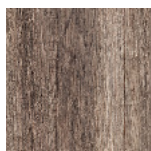


Emerald

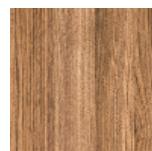


Sage

## Acoustic Felt Wood Grain



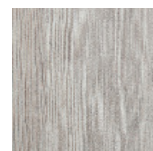
Weathered Oak



Chestnut



Oak



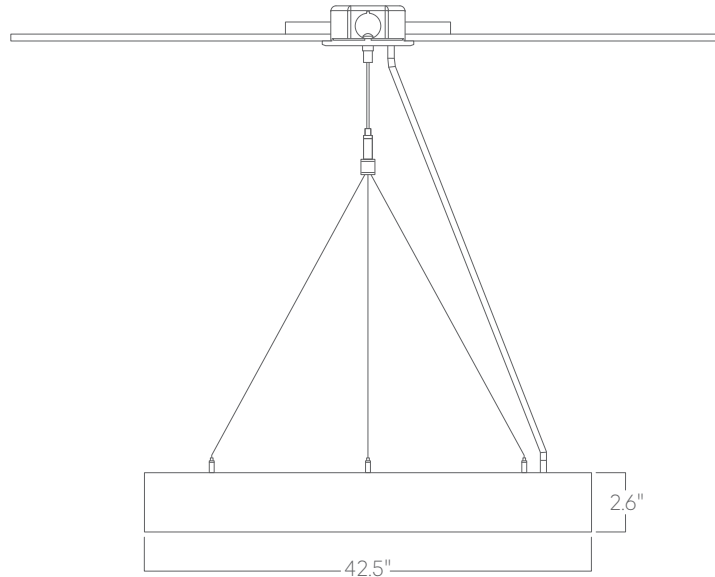
Light Teak

Please note that colors may vary depending on screen settings. For an accurate representation, please request a sample.

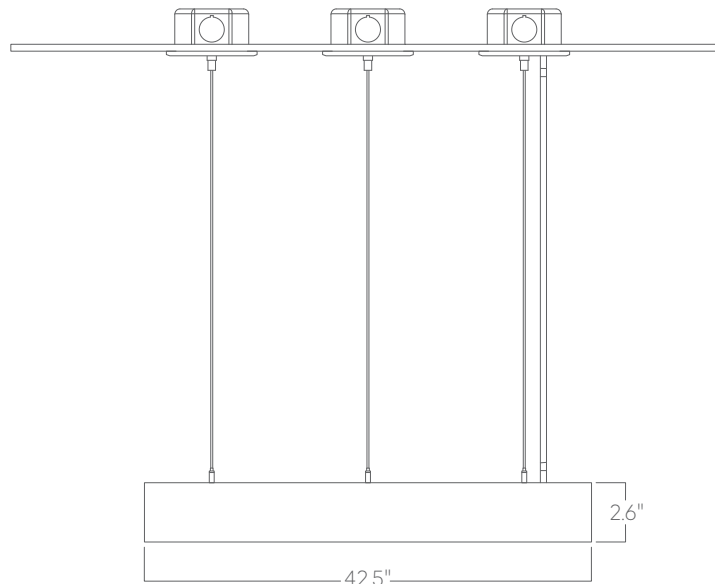
# Ring 4ft STFU indirect/direct

## Mounting Options

Custom mounting types and ceiling transitions available; consult factory.  
Mounting and power feed locations will be added to approval drawings on request.



**Aircraft cable (Single canopy at the center)**



**Aircraft cable (individual susp. points)**

Please consult factory shop drawings for suspension points.

To prevent damage to fixtures, factory designated suspension points must not be field altered.

Do not attempt installation if you do not understand the installation instructions.