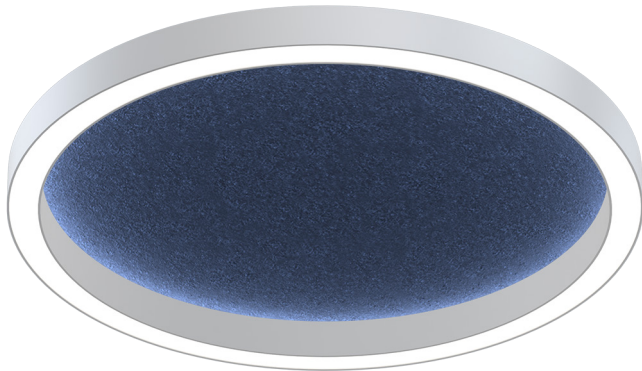


Ring 3ft STFU top direct

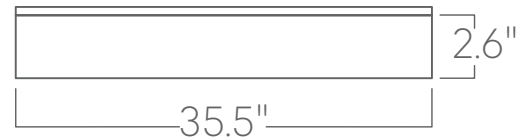


For noise reduction and architectural lighting in one, the STFU series offers a wide range of acoustic felt colors, shapes, profiles, and mounting options.

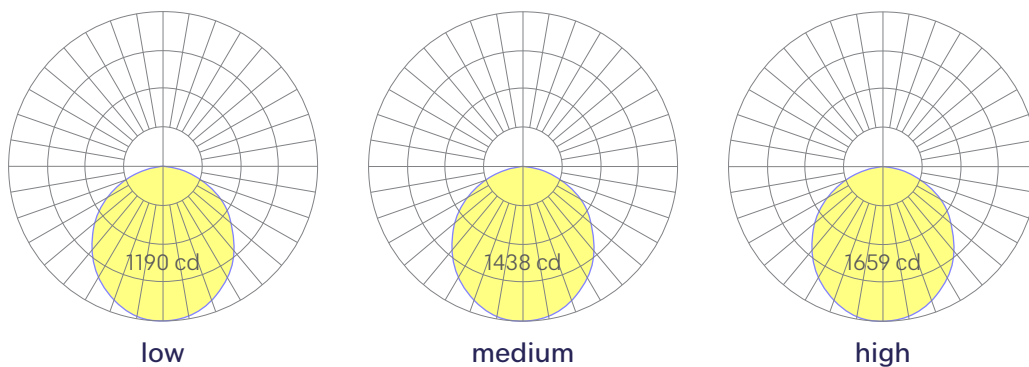
Features

- 24 specifiable colors of recycled PET acoustic felt
- Noise Reduction Coefficient of .75 with a Class-A fire rating
- Fire Spread Index of 0 & Smoke Development Index of 200
- Rolled extruded aluminum
- Aluminum core LED boards, specifiable optics
- Specifiable color temperature. CRI > 90, R9 > 50
- Specifiable, dimmable drivers or PoE
- 5 Year, 50,000 hour warranty, damp location rated
- WELL Building Standard compatible [learn more](#)

Dimensions



Optics



Representative distribution and peak candela. For other options see order information or IES files [here](#).

Ring 3ft STFU top direct

Ordering Information

For each option group below specify one option. If you don't see your preferred option listed, contact us for [help](#).

| 1 | Fixture ID | 2 | Length | 3 | Color Temperature | 4 | Output |
|----------------|---|------------|---|---------------|---|---------------|---|
| | RING.STFU.TP.3 | 3 | 3 ft nominal diameter | 27 | 2700K/90 CRI | LOW | Low output |
| | | | | 30 | 3000K/90 CRI | MED | Medium output |
| | | | | 35 | 3500K/90 CRI | HIGH | High output |
| | | | | 40 | 4000K/90 CRI | CUST | Custom output Specify watts or lumens |
| | | | | RGBW30 | RGB +white; 3000k Must use remote DMX driver | | |
| | | | | RGBW35 | RGB +white; 3500k Must use remote DMX driver | | |
| | | | | RGBW40 | RGB +white; 4000k Must use remote DMX driver | | |
| 5 | Voltage | 6 | Driver | 7 | Housing Finish | 8 | Felt Finish |
| UNV | Universal (120/277V) | DB | Standard 0-10V 1% | W | White | FW | White felt |
| 347V | 347V | PoE | Power over ethernet | BLK | Black | FBLK | Black felt |
| | | DMX | DMX512 All DMX drivers set to default address 001 and provided in remote enclosers. Contact us for other addressing needs. | CC | Custom color See finish options here | FGRY | Grey felt |
| | | | | SLV | Silver | F/ | Any available felt color See options on page 4 |
| 9 | Mounting | 10 | Optics | 11 | Sensors/Controls | 12 | Circuit |
| AC.CENT | Central canopy 50 in. steel cable provided; White canopies & power cord. | SD | Standard diffuser | NA | None | NA | None |
| AC.MULT | Individual suspension points 50 in. steel cable provided; White canopies & power cord. | | | ACM | Acuity nLight- module only | EMPCK | Emergency battery pack |
| | | | | CCS | Casambi module | EMCKT | Emergency circuit May require additional power feeds |
| | | | | AWNRR | Lutron Athena wireless node | DAYCKT | Daylight circuit May require additional power feeds. |
| | | | | OTHER | Consult factory | | |
| | | | | ACAM | Acuity nLight Air (r10) | | |
| 13 | Options | | | | | | |
| NA | None | | | | | | |
| STD | White canopy/cord/stem | | | | | | |
| CAN.X | Canopy + color See finish options here | | | | | | |
| SJ.BLK | Black cord | | | | | | |
| SJ.WHT | White cord | | | | | | |

Performance

| Output ¹ | Watts | Lumens | LPW |
|---------------------|-------|--------|-----|
| Low | 45 | 3270 | 73 |
| Medium | 58 | 4252 | 73 |
| High | 72 | 5233 | 73 |

¹Based on a typically configured 90 CRI, 3500K luminaire using one driver.
Custom outputs available. Please consult factory.
For 4000K multiply by 1.05; for 3000K, 0.9; for 2700K, 0.92.
For Warm Dim multiply by .80.



Wiring diagrams, PoE and sensor details
Click or Scan

Ring 3ft STFU top direct

Drivers & Electrical

Remote, dimmable drivers are supplied in enclosures.
For remote driver box sizes, click [here](#).

Emergency Back-Up

Emergency, battery-powered drivers are available. Emergency circuits for use with building generators are also available.

PoE (Power over Ethernet)

Compatible with virtually all PoE systems including Molex Coresync, Igor, Smartengine, Platformatics, and NuLED SPICEbox.

Consult factory for systems not listed. See [here](#) for more info.

Weight

5 lbs

Optics

Laser-cut, cast, high-transmission acrylic lens with no LED imaging.

Construction

Rolled extruded aluminum.

Finishes

All luminaires are finished in high quality polyester powder coating. Acoustic material is made of post-consumer recycled PET felt.

Ring 3ft STFU top direct

Acoustic Felt Colors



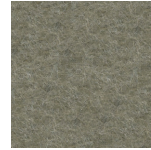
White



Marbled Grey



Taupe



Dark Khaki



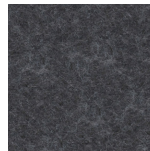
Stone



Spice



Mocha



Grey



Charcoal



Black



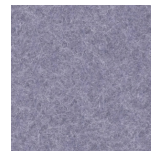
Sailor Blue



True Blue



Sky Blue



Periwinkle



Pink Panther



Purple Orchid



Violet



Maroon



Red Rose



Pumpkin



Sunshine



Lime

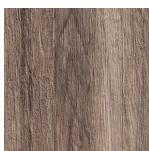


Emerald



Sage

Acoustic Felt Wood Grain



Weathered Oak



Chestnut



Oak



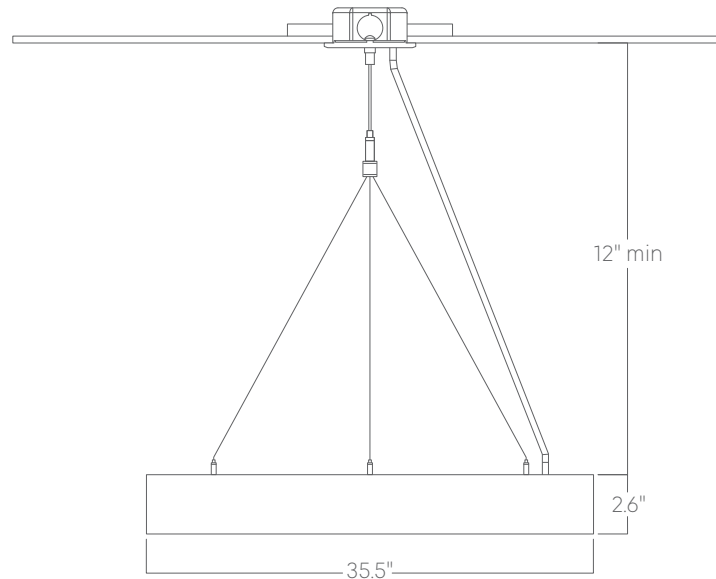
Light Teak

Please note that colors may vary depending on screen settings. For an accurate representation, please request a sample.

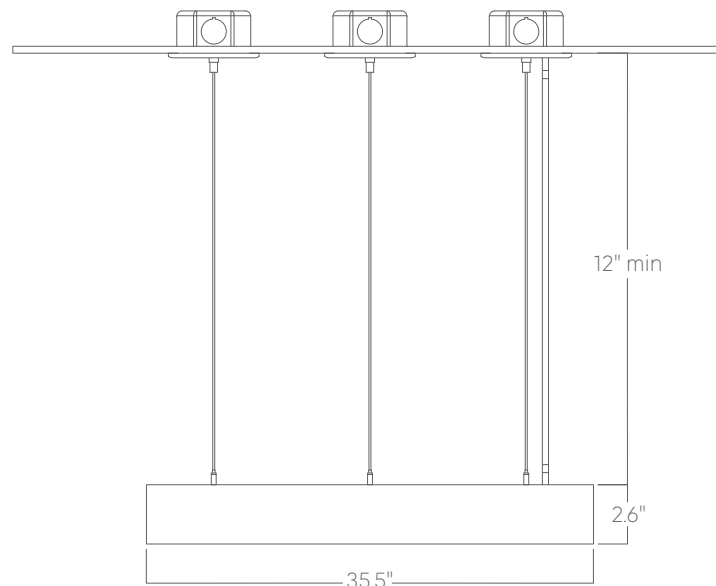
Ring 3ft STFU top direct

Mounting Options

Custom mounting types and ceiling transitions available; consult factory.
Mounting and power feed locations will be added to approval drawings on request.



Aircraft cable (Single canopy at the center)



Aircraft cable (individual susp. points)

Please consult factory shop drawings for suspension points.

To prevent damage to fixtures, factory designated suspension points must not be field altered.

Do not attempt installation if you do not understand the installation instructions.