

Ring 2ft STFU indirect/direct



For noise reduction and architectural lighting in one, the STFU series offers a wide range of acoustic felt colors, shapes, profiles, and mounting options.

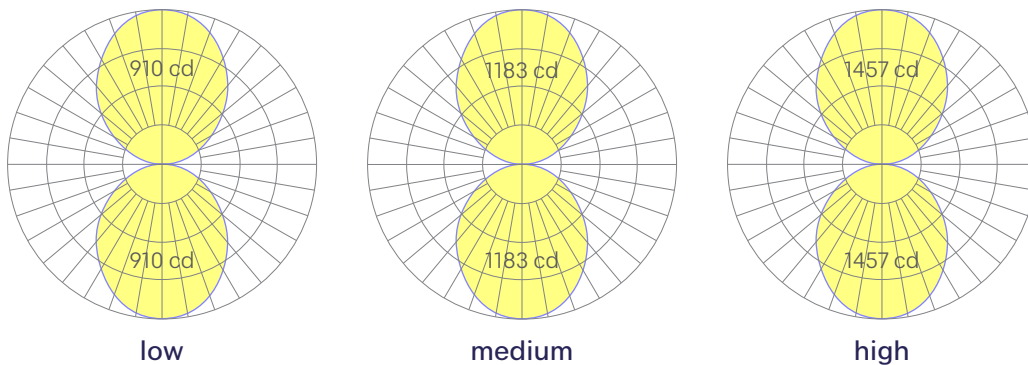
Features

- 24 specifiable colors of recycled PET acoustic felt
- Noise Reduction Coefficient of .75 with a Class-A fire rating
- Fire Spread Index of 0 & Smoke Development Index of 200
- Rolled extruded aluminum
- Aluminum core LED boards, specifiable optics
- Specifiable color temperature. CRI > 90, R9 > 50
- Specifiable, dimmable drivers or PoE
- 5 Year, 50,000 hour warranty, damp location rated
- WELL Building Standard compatible [learn more](#)

Dimensions



Optics



Representative distribution and peak candela. For other options see order information or IES files [here](#).

Ring 2ft STFU indirect/direct

Ordering Information

For each option group below specify one option. If you don't see your preferred option listed, contact us for [help](#).

1	Fixture ID	2	Length	3	Color Temperature	4	IndirectOutput
	RING.UPDN.STFU.WRP.2	2	2 ft nominal diameter	27	2700K/90 CRI	LOW	Low output
				30	3000K/90 CRI	MED	Medium output
				35	3500K/90 CRI	HIGH	High output
				40	4000K/90 CRI	CUST	Custom output Specify watts or lumens.
				RGBW30	RGB +white; 3000k Must use remote DMX driver.		
				RGBW35	RGB +white; 3500k Must use remote DMX driver.		
				RGBW40	RGB +white; 4000k Must use remote DMX driver.		
5	DirectOutput	6	Voltage	7	Driver	8	Housing Finish
LOW	Low output	UNV	Universal (120/277V)	DB	Standard 0-10V 1%	W	White
MED	Medium output	347V	347V	PoE	Power over ethernet	BLK	Black
HIGH	High output			DMX	DMX512 All DMX drivers set to default address 001 and provided in remote enclosers. Contact us for other addressing needs.	CC	Custom color See finish options here
CUST	Custom output Specify watts or lumens.			JA8	JA8 compliant 1% dimming	SLV	Silver
9	Felt Finish	10	Felt Height	11	Mounting	12	Optics Indirect
FW	White felt	FH6	6 inch felt height	AC.CENT	Central canopy 50 in. steel cable provided; White canopies & power cord.	SD	Standard diffuser
FBLK	Black felt	FH8	8 inch felt height	AC.MULT	Individual suspension points 50 in. steel cable provided; White canopies & power cord.		
FGRY	Grey felt	FH4	4 inches				
F/	Any available felt color See options on page 4	FH	Custom felt height				
13	Optics Direct	14	Sensors/Controls	15	Circuit	16	Options
SD	Standard diffuser	NA	None	NA	None	NA	None
		ACM	Acuity nLight- module only	10WEMP	10W Emergency battery pack	STD	White canopy/cord/stem
		CCS	Casambi module	EMCKT	Emergency circuit May require additional power feeds.	CAN.X	Canopy + color See finish options here
		AWNR	Lutron Athena wireless node	DAYCKT	Daylight circuit May require additional power feeds.	SJ.BLK	Black cord
		OTHER	Consult factory	DC	Dual 0-10v control; dual power feed	SJ.WHT	White cord
				DCSF	Dual 0-10v control; single power feed		

Ring 2ft STFU indirect/direct

Drivers & Electrical

Integral drivers* with 0-10V Dimming standard. Several other driver options available; see ordering information.

*DMX drivers are provided in remote enclosures.

Emergency Back-Up

Emergency, battery-powered drivers are available. Emergency circuits for use with building generators are also available.

PoE (Power over Ethernet)

Compatible with virtually all PoE systems including Moxel Coresync, Igor, Smartengine, Platformatics, and NuLED SPICEbox.

Consult factory for systems not listed. See [here](#) for more info.

Weight

13 lbs

Optics

Custom opal lens provides excellent diffusion, high transmission, and no LED imaging.

Construction

Cold-rolled steel.

Finishes

All luminaires are finished in high quality polyester powder coating. Acoustic material is made of post-consumer recycled PET felt.

Performance

Output ¹	Indirect			Direct		
	Watts	Lumens	LPW	Watts	Lumens	LPW
Low	30	2353	78	30	2353	78
Medium	38	3059	81	38	3059	81
High	47	3765	80	47	3765	80

¹Based on a typically configured 90 CRI, 3500K luminaire using one driver. Custom outputs available. Please consult factory. For 4000K multiply by 1.05; for 3000K, 0.9; for 2700K, 0.92.

Technical Information



click [here](#) or scan QR code

Wiring diagrams, PoE and sensor details

Ring 2ft STFU indirect/direct

Acoustic Felt Colors



White



Marbled Grey



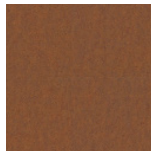
Taupe



Dark Khaki



Stone



Spice



Mocha



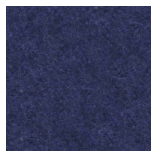
Grey



Charcoal



Black



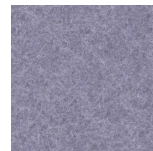
Sailor Blue



True Blue



Sky Blue



Periwinkle



Pink Panther



Purple Orchid



Violet



Maroon



Red Rose



Pumpkin



Sunshine



Lime

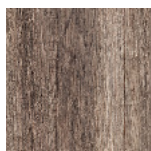


Emerald

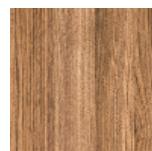


Sage

Acoustic Felt Wood Grain



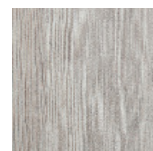
Weathered Oak



Chestnut



Oak



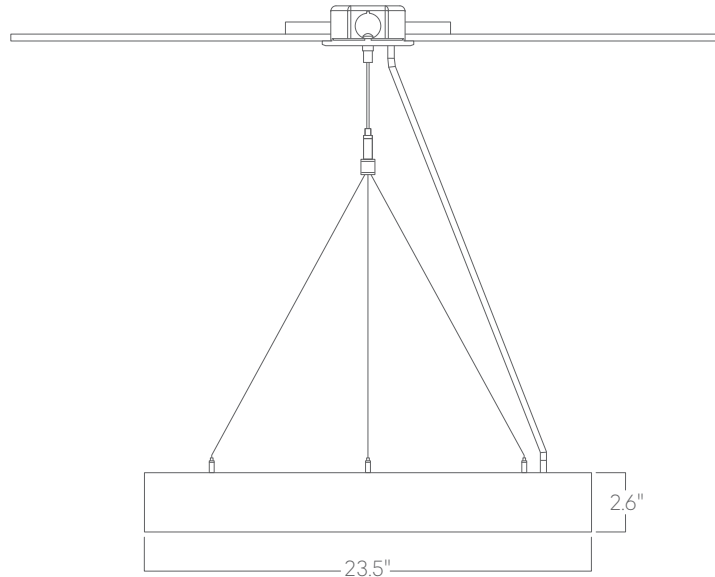
Light Teak

Please note that colors may vary depending on screen settings. For an accurate representation, please request a sample.

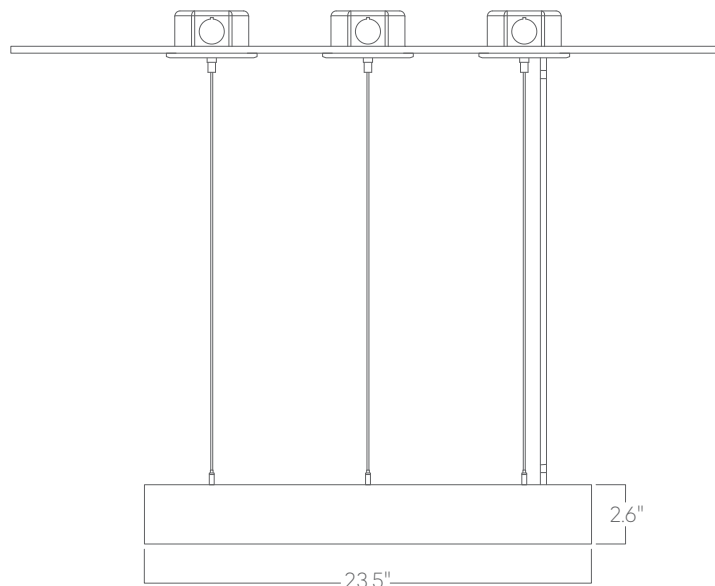
Ring 2ft STFU indirect/direct

Mounting Options

Custom mounting types and ceiling transitions available; consult factory.
Mounting and power feed locations will be added to approval drawings on request.



Aircraft cable (Single canopy at the center)



Aircraft cable (individual susp. points)

Please consult factory shop drawings for suspension points.

To prevent damage to fixtures, factory designated suspension points must not be field altered.

Do not attempt installation if you do not understand the installation instructions.