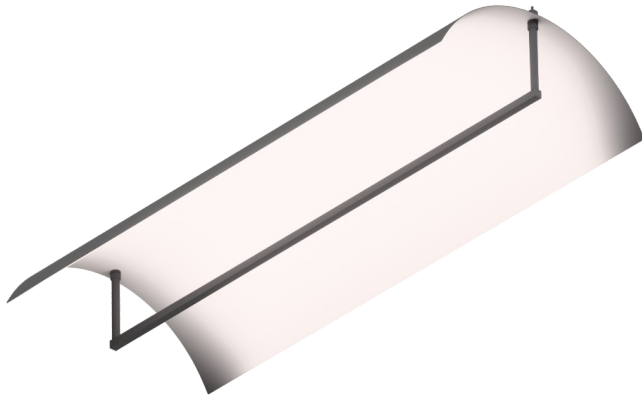


Parachute Full Cut-Off Reflector

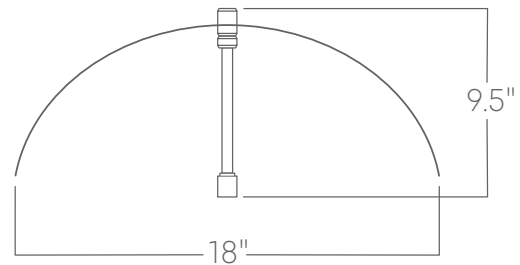


Our Performance Decorative luminaires offer a variety of decorative forms and sizes, suitable for any modern space.

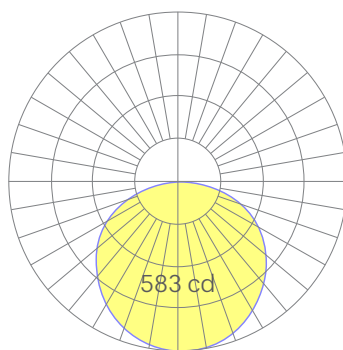
Features

- Power Over Wire system eliminates power cord
- Configurable fixture in three styles
- Extruded recycled aluminum housing
- Specifiable color temperature. CRI > 90, R9 > 50
- Specifiable dimmable drivers or PoE
- 5 Year, 50,000 hour warranty, damp location rated
- WELL Building Standard compatible [learn more](#)

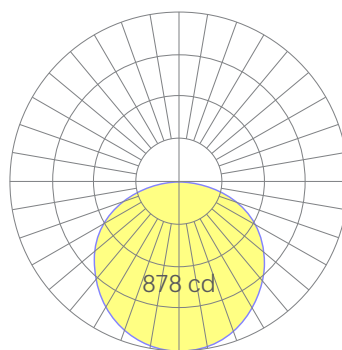
Dimensions



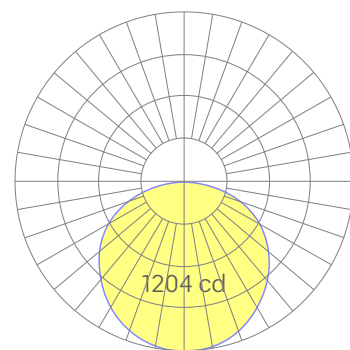
Optics



low



medium



medium

Representative distribution and peak candela. For other options see order information or IES files [here](#).

Parachute Full Cut-Off Reflector

Ordering Information

For each option group below specify one option. If you don't see your preferred option listed, contact us for [help](#).

1	Fixture ID	2	Length	3	Color Temperature	4	Output
	PARACHUTE.FC	4	4 ft	27	2700K/90 CRI	LOW	Low output
				30	3000K/90 CRI	MED	Medium output
				35	3500K/90 CRI	HIGH	High output
				40	4000K/90 CRI	CUST	Custom output Specify watts or lumens.
5	Voltage	6	Driver	7	Finish	8	Mounting
UNV	Universal (120/277V)	DB	Standard 0-10V 1%	W	White	ACP	Power over aircraft cable.
347V	347V	DB.1%	0-10V 0.1%	BLK	Black		
		ELV	Reverse phase 1% (120V only)	CC	Custom color See finish options here		
		TRI	Forward phase	SLV	Silver		
		LDE1	Lutron Digital EcoSystem				
		DALI	DALI-2 driver				
		PoE	Power over ethernet				
		JA8	JA8 compliant 1% dimming				
9	Optics	10	Sensors/Controls	11	Circuit	12	Options
SD	Standard diffuser	NA	None	NA	None	NA	None
				EMCKT	Emergency circuit May require additional power feeds.		

Performance

Output ¹	Watts/ft	Lumens/ft	LPW
Low	5.5	385	70
Medium	8	560	70
High	11	770	77

¹Based on a typically configured 90 CRI, 3500K luminaire using one driver.
Custom outputs available. Please consult factory.
For 4000K multiply by 1.05; for 3000K, 0.9; for 2700K, 0.92.
For Warm Dim multiply by .80.

Technical Information



click [here](#) or scan QR code

Wiring diagrams, PoE and sensor details

Parachute Full Cut-Off Reflector

Drivers & Electrical

Our Power Over Wire system delivers power to the luminaire via suspension cables, eliminating a separate power feed. Drivers are housed in factory supplied remote enclosures! All drivers are dimmable.

*See order information for more details. For remote driver box sizes, click [here](#).

Emergency Back-Up

Emergency circuits for use with building generators are available.

PoE (Power over Ethernet)

Compatible with virtually all PoE systems including Molex Coresync, Igor, Smartengine, Platformatics, and NuLED SPICEbox.

Consult factory for systems not listed. See [here](#) for more info.

Weight

20 lbs

Optics

Extruded satin acrylic lenses provide excellent diffusion, high transmission, and no LED imaging.

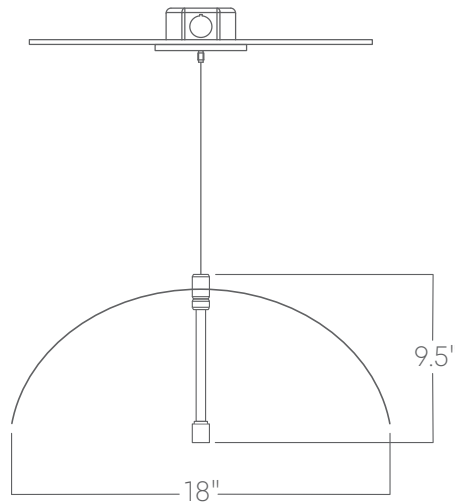
Construction

Housings are extruded premium, recycled aluminum.

Finishes

All luminaires are finished in high quality polyester powder coating. Our standard color is black.

Mounting Options



Power over aircraft cable