

OrbSTFU

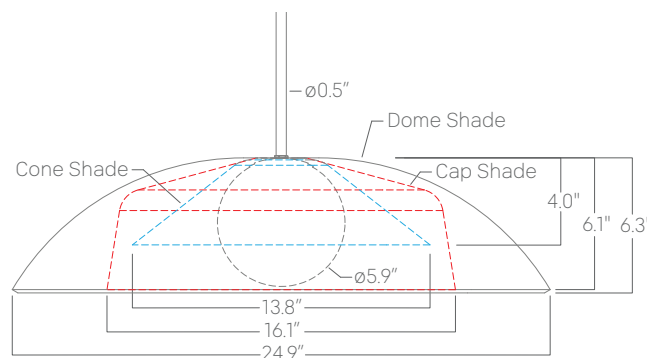


For noise reduction and architectural lighting in one, the Orb STFU is a striking solution comprised of a 6" luminous sphere. Available in a variety of acoustic felt colors and shape options, it enhances any modern space with both style and functionality.

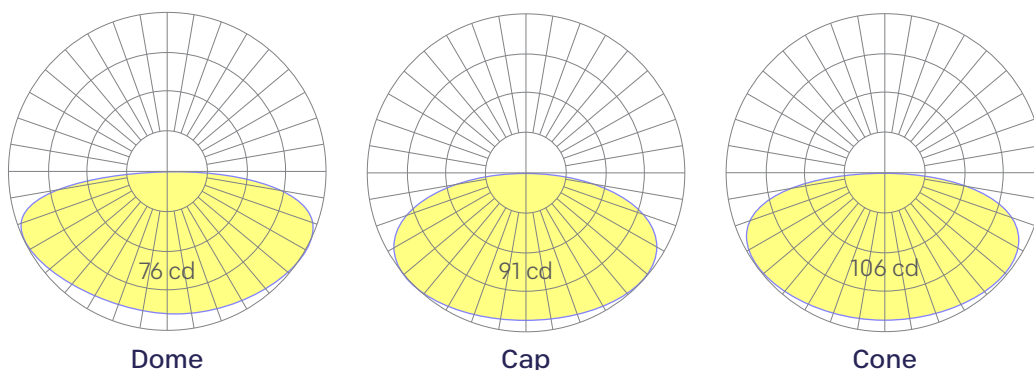
Features

- 5 specifiable colors of recycled PET acoustic felt
- Class-A fire rating
- Fire Spread Index of 0 & Smoke Development Index of 200
- Aluminum core LED boards, specifiable acoustic shape
- Specifiable color temperature. CRI > 90, R9 > 50
- Remote specifiable, dimmable drivers
- 5 Year, 50,000 hour warranty, damp location rated
- WELL Building Standard compatible [learn more](#)

Dimensions



Optics



Representative distribution and peak candela. For other options see order information or IES files [here](#).

Ordering Information

For each option group below specify one option. If you don't see your preferred option listed, contact us for [help](#).

1	Fixture ID	2	Length	3	Color Temperature	4	Output
	ORBSTFU	DOME	Dome shape	27	2700K/90 CRI	MED	Medium output
		CONE	Cone shape	30	3000K/90 CRI		
		CAP	Cap shape	35	3500K/90 CRI		
				40	4000K/90 CRI		
5	Voltage	6	Driver	7	Dome Finish	8	Cap and Cone Finish
	UNV Universal (120/277V)	DB	Standard 0-10V 1%	MG/MG	Marble grey exterior/interior	DG	Dark grey
		DB.1%	0-10V 0.1%	DG/MG	Dark grey exterior/marble grey interior	TL	Teal
		ELV	Reverse phase 1% (120V only)	YL/MG	Yellow exterior/marble grey interior	FGRY	Grey felt
		TRI	Forward phase				
		LDE1	Lutron Digital EcoSystem				
		DALI	DALI-2 driver				
		PoE	Power over ethernet				
		DMX	DMX512 All DMX drivers set to default address 001 and provided in remote enclosers. Contact us for other addressing needs.				
		JAB	JAB compliant 1% dimming				
9	Mounting	10	Sensors/Controls	11	Circuit	12	Options
	PS.X Pendant stem with standard 5-inch canopy. 12, 18, 24, 36, or 48 in. Consult factory for lengths not shown.	NA	None	NA	None	NA	None
	PSFC Field cuttable pendant stem 94 in. stem field cuttable to any length.	AWN	Lutron Athena wireless node	EMPCK	Emergency battery pack	PS/C.B	Black canopy/cord/stem
		CCS	Casambi module	EMCKT	Emergency circuit May require additional power feeds.		

Performance

Shade ¹	Watts	Lumens	LPW
Dome	9	342	38
Cap	9	453	50
Cone	9	515	57

¹Based on Marble Grey or Grey interior. For darker colors, derate 20%.
For 4000K multiply by 1.02, for 3000K, 0.98, for 2700K, 0.96.

Technical Information



click [here](#) or scan QR code

Wiring diagrams, PoE and sensor details

Drivers & Electrical

Remote, dimmable drivers are supplied in enclosures. Several other driver options are available; see ordering information.

For remote driver box sizes, click [here](#).

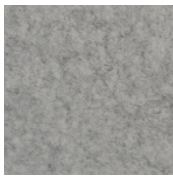
Emergency Back-Up

A 6W remote emergency driver may be wired. Emergency circuits for use with building generators are also available.

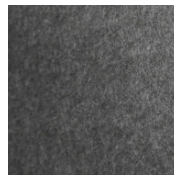
Weight

10 lbs

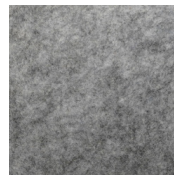
Felt Colors



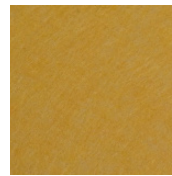
Marble Grey



Dark Grey



Grey



Yellow



Teal

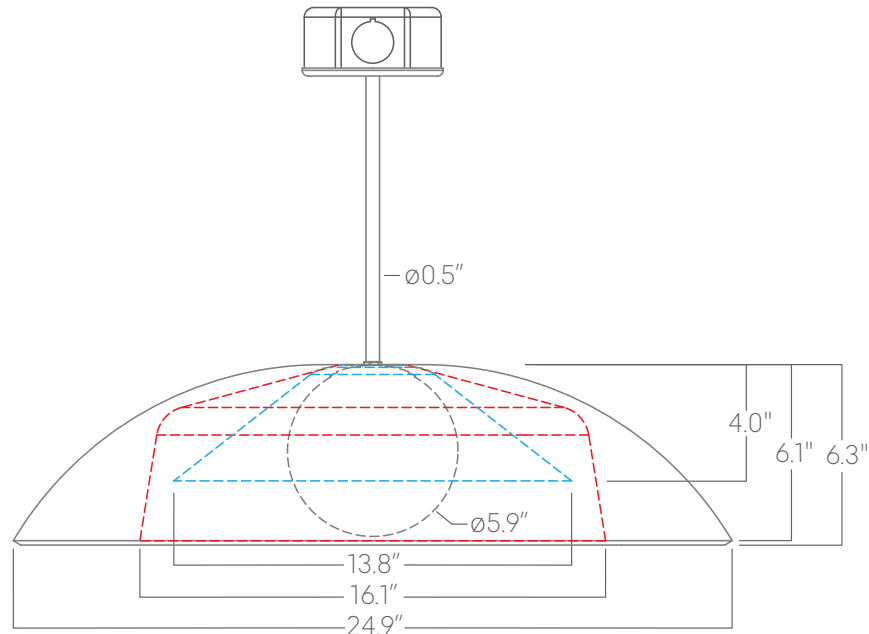
Optics

Glass optic provides excellent diffusion and no LED imaging.

Finishes

Acoustic material is made of post-consumer recycled PET felt.

Mounting Options



Pendant stem