

# Teek 6in direct

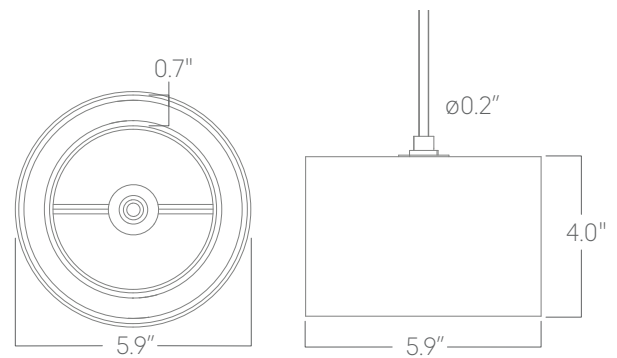


A minimalist direct 6" pendant featuring 90+ CRI LEDs and custom optics for even illumination and reduced glare.

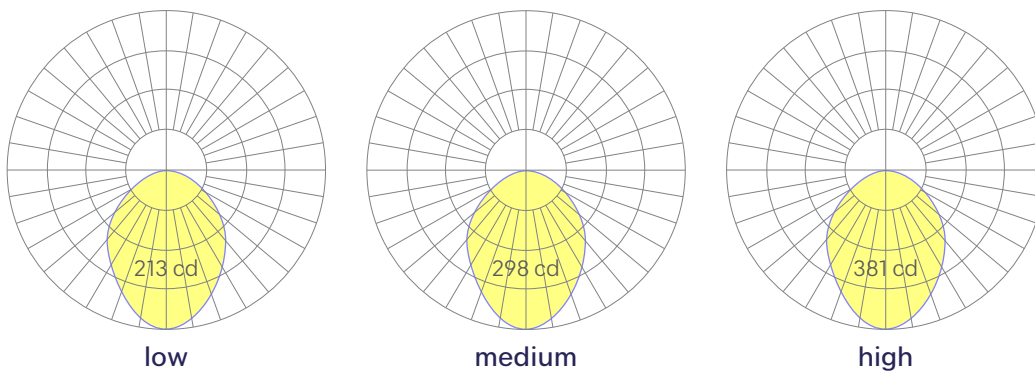
## Features

- Low-glare, regressed prismatic lens
- Aluminum core LED boards
- Specifiable color temperature. CRI > 90, R9 > 50
- 5 Year, 50,000 hour warranty, damp location rated

## Dimensions



## Optics



Representative distribution and peak candela. For other options see order information or IES files [here](#).

# Teek 6in direct

## Ordering Information

For each option group below specify one option. If you don't see your preferred option listed, contact us for [help](#).

1	Fixture ID	2	Length	3	Color Temperature	4	Output
	<b>TEEK.6</b>	<b>6</b>	6-inch nominal	<b>27</b> <b>30</b> <b>35</b> <b>40</b>	2700K/90 CRI 3000K/90 CRI 3500K/90 CRI 4000K/90 CRI	<b>LOW</b> <b>MED</b> <b>HIGH</b> <b>CUST</b>	Low output Medium output High output Custom output Specify watts or lumens.
5	Voltage	6	Driver	7	Finish	8	Mounting
	<b>UNV</b> Universal (120/277V)	<b>DB</b> Standard 0-10V 1% <b>DB.1%</b> 0-10V 0.1% <b>ELV</b> Reverse phase 1% (120V only) <b>TRI</b> Forward phase <b>LDE1</b> Lutron Digital EcoSystem <b>DALI</b> DALI-2 driver <b>PoE</b> Power over ethernet <b>JAB</b> JAB compliant 1% dimming		<b>W</b> White <b>BLK</b> Black <b>CC</b> Custom color <a href="#">See finish options here</a>		<b>PC</b> Pendant cable with standard 5-inch canopy. <b>PC.T</b> Pendant cable with 12-inch deep canopy. <b>PS.X</b> Pendant stem with standard 5-inch canopy. 12, 18, 24, 36 or 48 in. Consult factory for lengths not shown. <b>PS.X.T</b> Pendant stem with 12-inch deep canopy. 12, 18, 24, 36 or 48 in. Consult factory for lengths not shown.	
9	Optics	10	Sensors/Controls	11	Circuit	12	Options
	<b>VWFL91</b> Very wide flood: 91-degrees; 381 cd	<b>NA</b> None <b>ACM</b> Acuity nLight- module only <b>CCS</b> Casambi module <b>AWNR</b> Lutron Athena wireless node <b>OTHER</b> Consult factory		<b>NA</b> None <b>EMPCK</b> Emergency battery pack <b>DCSF</b> Dual 0-10v control; single power feed		<b>NA</b> None <b>STD</b> White canopy/cord/stem <b>PS/C.B</b> Black canopy/cord/stem <b>CAN.X</b> Canopy + color <a href="#">See finish options here</a>	

## Performance

Output <sup>1</sup>	Watts/ft	Lumens/ft	LPW
Low	4	461	115
Medium	5.75	644	112
High	7.75	825	106

<sup>1</sup>Based on a typically configured 90 CRI, 3500K luminaire using one driver.  
Custom outputs available. Please consult factory.  
For 4000K multiply by 1.05; for 3000K, 0.9%; for 2700K, 0.92.  
For Warm Dim multiply by .80.

## Technical Information



click [here](#) or scan QR code

Wiring diagrams, PoE and sensor details

# Teek 6in direct

## Drivers & Electrical

Remote, dimmable drivers are supplied in enclosures.  
For remote driver box sizes, click [here](#).

## Emergency Back-Up

Emergency, battery-powered drivers are available.

## Weight

10 lbs

## Mounting Options

## Optics

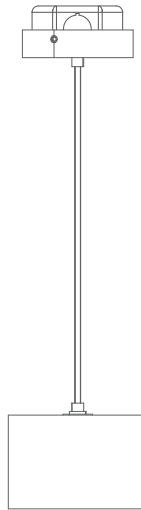
Laser-cut, cast, high-transmission acrylic lens with no LED imaging for the indirect side with a custom TIR optic for the direct side.

## Construction

Rolled extruded aluminum.

## Finishes

All luminaires are finished in high quality polyester powder coating. Our standard color is white. Any RAL color may be specified.



**Pendant stem or pendant cable.**