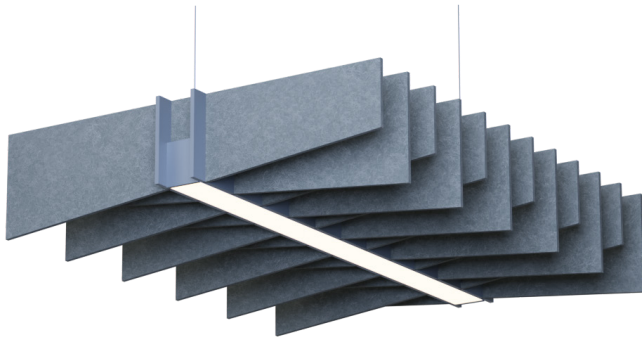


KA STFU LS3 direct

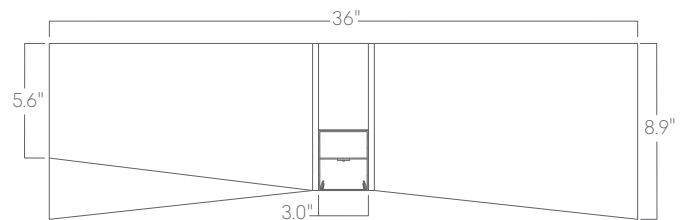


For noise reduction and architectural lighting in one, the STFU series offers a wide range of acoustic felt colors, shapes, profiles, and mounting options. Custom lengths and patterns are tailored to suit any modern space.

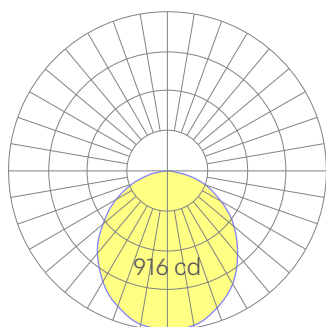
Features

- 24 specifiable colors of recycled PET acoustic felt
- Noise Reduction Coefficient of .75 with a Class-A fire rating
- Fire Spread Index of 0 & Smoke Development Index of 200
- Extruded, recycled, premium aluminum housing
- Aluminum core LED boards, specifiable optics
- Specifiable color temperature. CRI > 90, R9 > 70
- Specifiable, dimmable drivers or PoE
- 5 Year, 50,000 hour warranty, damp location rated
- WELL Building Standard compatible [learn more](#)

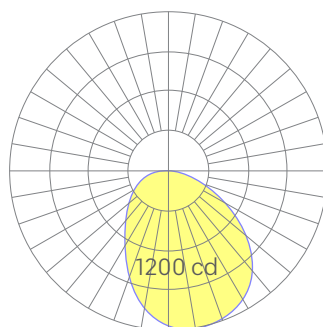
Dimensions



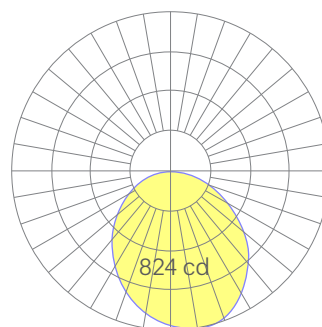
Optics



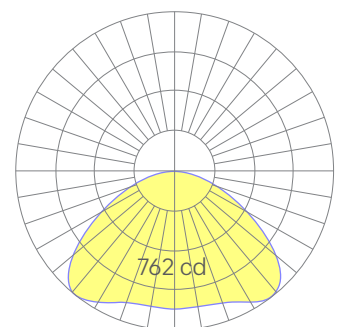
flat lens



asymmetric



wall wash




avi-batwing

Representative distribution and peak candela. For other options see order information or IES files [here](#).

KA STFU LS3 direct

Ordering Information

For each option group below specify one option. If you don't see your preferred option listed, contact us for [help](#).

1	Fixture ID	2	Length	3	Color Temperature	4	Output																
	KA.STFU.LS3	2	2 ft 4 ft 8 ft	27 30 35 40 50 TW WD RGBW30 RGBW35 RGBW40	2700K/90 CRI 3000K/90 CRI 3500K/90 CRI 4000K/90 CRI 5000K/90 CRI Tunable White 2700K-6500K Must use TW10 driver. Warm Dim 2200K-3000K Must use WD10 driver. RGB +white; 3000k Must use remote DMX driver. RGB +white; 3500k Must use remote DMX driver. RGB +white; 4000k Must use remote DMX driver.	LOW MED HIGH CUST	Low output Medium output High output Custom output Specify watts or lumens: Up to 13W/ft max. Down to 6W/driver min.																
5	Voltage	6	Driver	7	Housing Finish	8	Felt Finish																
UNV 347V	Universal (120/277V) 347V	DB DB.1% ELV TRI LDE1 DALI PoE TW10 WD10 DMX JAB	Standard 0-10V 1% 0-10V 0.1% Reverse phase 1% (120V only) Forward phase Lutron Digital EcoSystem DALI-2 driver Power over ethernet 2 channel 0-10V for tunable white 0-10V warm dimming DMX512 All DMX drivers set to default address 001 and provided in remote enclosers. Contact us for other addressing needs. JAB compliant 1% dimming	W BLK CC SLV	White Black Custom color See finish options here Silver	FW FBLK FGRY F/	White felt Black felt Grey felt Any available felt color See options on page 4																
9	Mounting	10	Optics	11	Sensors/Controls	12	Circuit																
AC ACTB9 ACTB15 ACTBSG AC3.5 ACCC PS.X PSFC ACU	AC cable (50 in.) AC cable + 9/16th Tbar clip AC cable + 15/16th Tbar clip AC cable + Slot Grid Tbar clip 3.5 in. canopy + Jbox adaptor Adaptor must be mudded-in. AC cable To conduit pipe canopy. Pendant stem with standard 5-inch canopy. 12, 18, 24, 36, or 48 in. Consult factory for lengths not shown. Field cuttable pendant stem 94 in. stem field cuttable to any length. AC to unistrut	FL AVI.BWG ASYM POL WW	Flat diffuser Batwing optic Asymmetric optic 1-inch Pop out lens Wall wash reflector	NA WISM_% WISD ACM ACS ACAS CCS AWNR AWNS OTHER ACAM	None Wattstopper occupancy Wattstopper daylight Acuity nLight- module only Acuity nLight- (nES 7) Acuity nLight- AIR (rES 7) Casambi module Lutron Athena wireless node Lutron Athena wireless node with sensor Consult factory Acuity nLight Air (r10)	NA EMPCK EMCKT DAYCKT	None Emergency battery pack Emergency circuit May require additional power feeds. Daylight circuit May require additional power feeds.																
13	Options	<h3>Performance</h3> <table border="1"> <thead> <tr> <th>Output¹</th> <th>Watts</th> <th>Lumens</th> <th>LPW</th> </tr> </thead> <tbody> <tr> <td>Low</td> <td>3.5</td> <td>393</td> <td>112</td> </tr> <tr> <td>Medium</td> <td>5.5</td> <td>593</td> <td>108</td> </tr> <tr> <td>High</td> <td>7.5</td> <td>806</td> <td>108</td> </tr> </tbody> </table> <p>¹Based on a typically configured 90 CRI, 3500K luminaire using one driver. Custom outputs available. Please consult factory. For 4000K multiply by 1.05; for 3000K, 0.9; for 2700K, 0.92. For Warm Dim multiply by .80.</p>  <p>Wiring diagrams, PoE and sensor details Click or Scan</p>						Output ¹	Watts	Lumens	LPW	Low	3.5	393	112	Medium	5.5	593	108	High	7.5	806	108
Output ¹	Watts	Lumens	LPW																				
Low	3.5	393	112																				
Medium	5.5	593	108																				
High	7.5	806	108																				
NA STD CAN.X SJ.BLK SJ.WHT	None White canopy/cord/stem Canopy + color See finish options here Black cord White cord																						

KA STFU LS3 direct

Drivers & Electrical

Integral drivers* with 0-10V Dimming standard. Several other driver options available; see ordering information.

*DMX drivers are provided in remote enclosures.

Sensors & Controls

Sensors are installed on an aluminum plate adjacent to the luminaire lens¹. Coronet remains agnostic in our approach to sensors and control systems; our fixtures are compatible with most systems offered.

¹Not applicable to indirect only models. Consult factory.

Emergency Back-Up

For fixtures three-feet or longer, a 6W emergency driver may be wired to 4ft sections. A 10W driver is also available (consult factory). Emergency circuits for use with building generators are also available.

Weight

3 lbs per foot

Optics

Extruded satin acrylic lenses provide excellent diffusion, high transmission, and no LED imaging.

Construction

Housings are extruded premium, recycled aluminum. Individual fixtures are available up to 12' long and may be specified as nominal or precision lengths. Precision lengths are supplied within 1/8" tolerance.

PoE (Power over Ethernet)

Compatible with virtually all PoE systems including Molex Coresync, Igor, Smartengine, Platformatics, and NuLED SPICEbox.

Consult factory for systems not listed. See [here](#) for more info.

Finishes

Luminaire housing is finished with high quality polyester powder coating. Acoustic material is made of post-consumer recycled PET felt.

KA STFU LS3 direct

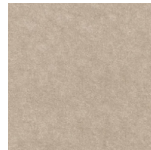
Acoustic Felt Colors



White



Marbled Grey



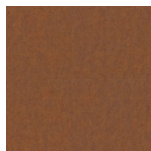
Taupe



Dark Khaki



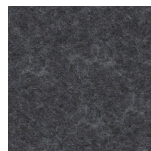
Stone



Spice



Mocha



Grey



Charcoal



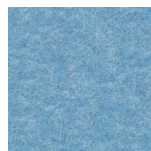
Black



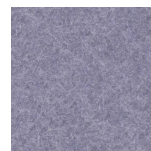
Sailor Blue



True Blue



Sky Blue



Periwinkle



Pink Panther



Purple Orchid



Violet



Maroon



Red Rose



Pumpkin



Sunshine



Lime

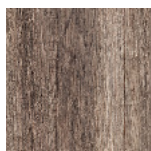


Emerald

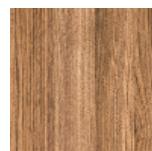


Sage

Acoustic Felt Wood Grain



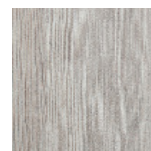
Weathered Oak



Chestnut



Oak



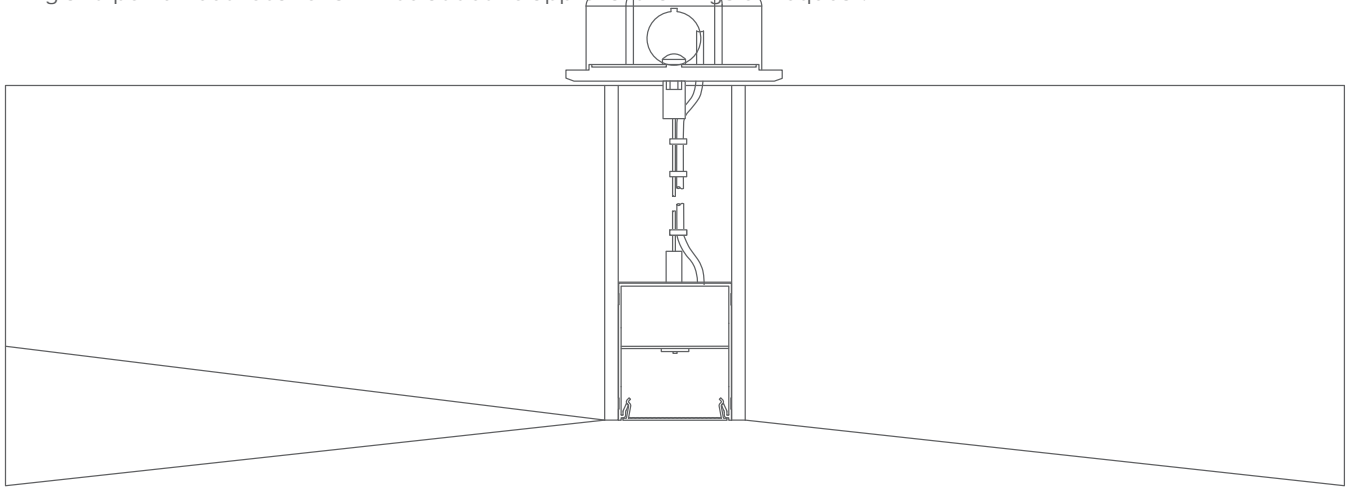
Light Teak

Please note that colors may vary depending on screen settings. For an accurate representation, please request a sample.

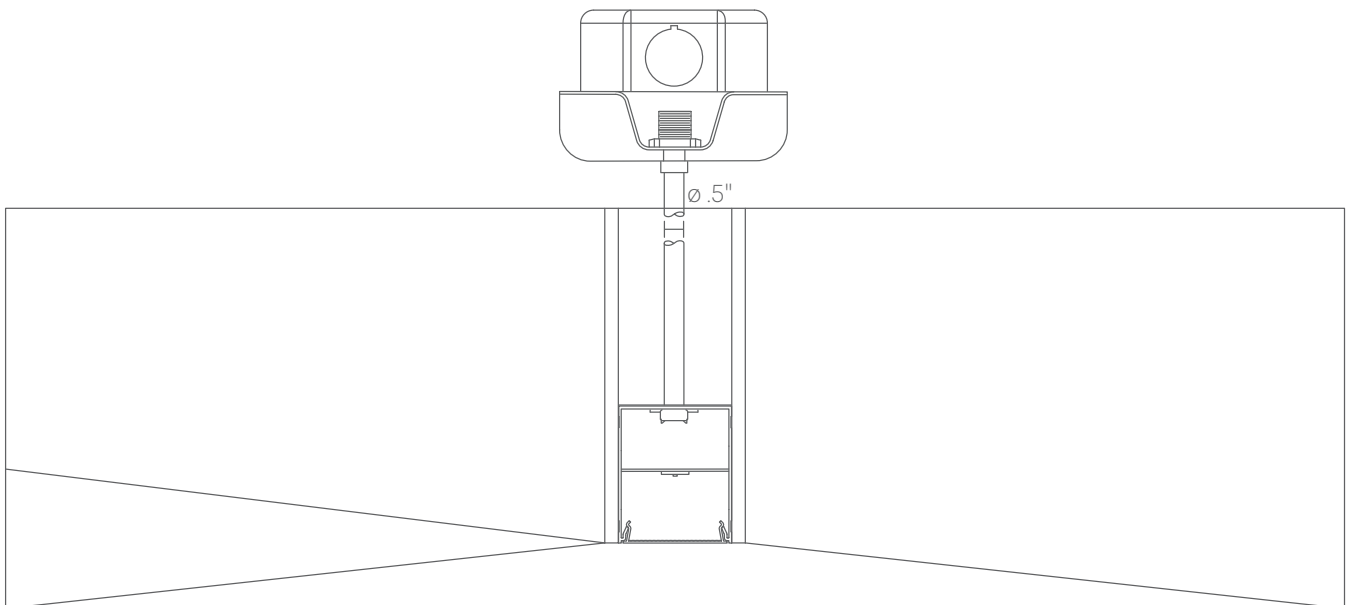
KA STFU LS3 direct

Mounting Options

Custom mounting types and ceiling transitions available; consult factory.
Mounting and power feed locations will be added to approval drawings on request.



**Aircraft cable
to canopy**



Pendant stem

Please consult factory shop drawings for suspension points.

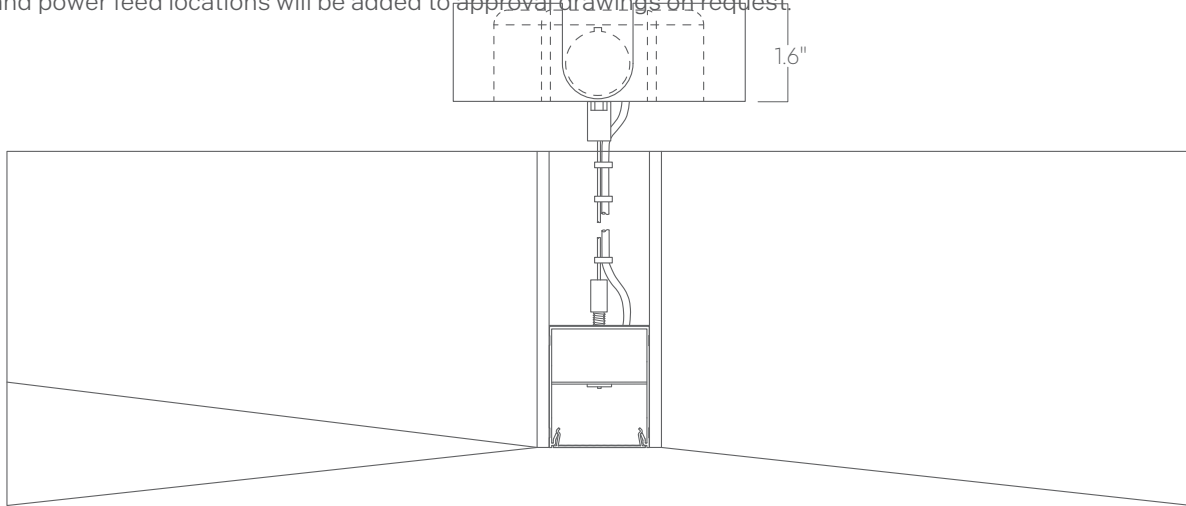
To prevent damage to fixtures, factory designated suspension points must not be field altered.

Do not attempt installation if you do not understand the installation instructions.

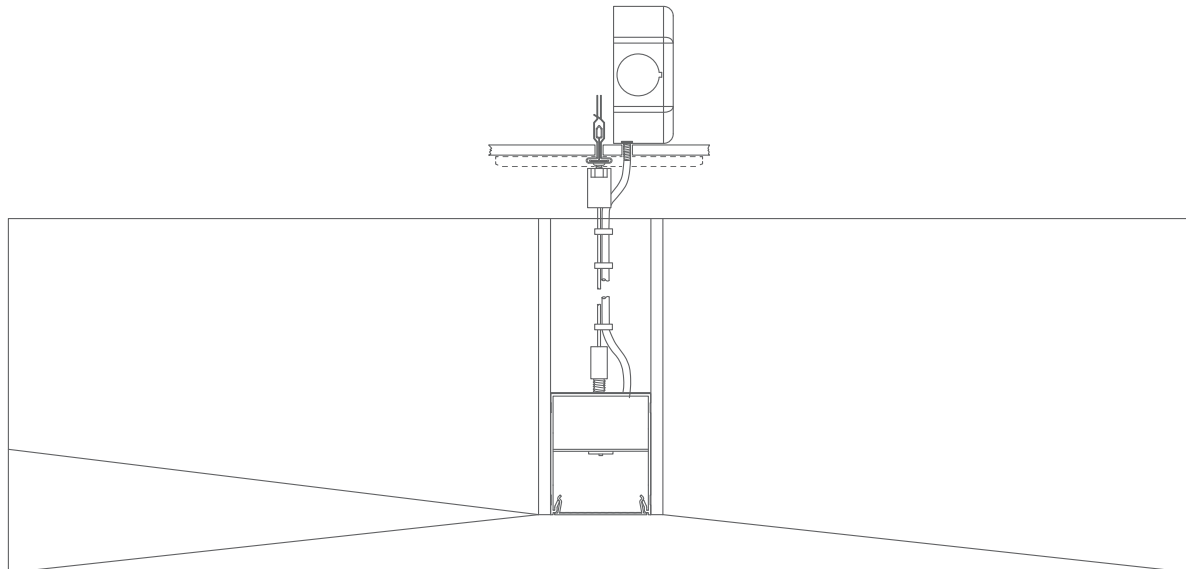
KA STFU LS3 direct

Mounting Options

Custom mounting types and ceiling transitions available; consult factory.
Mounting and power feed locations will be added to approval drawings on request.



**Aircraft cable
Conduit canopy
with knockouts**



**Aircraft cable
5" canopy, T Bar Clip**

Please consult factory shop drawings for suspension points.

To prevent damage to fixtures, factory designated suspension points must not be field altered.

Do not attempt installation if you do not understand the installation instructions.