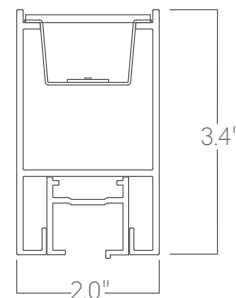


Our linear architectural luminaires offer a wide range of profiles and mounting options. Custom lengths and patterns are tailored to suit any modern space.

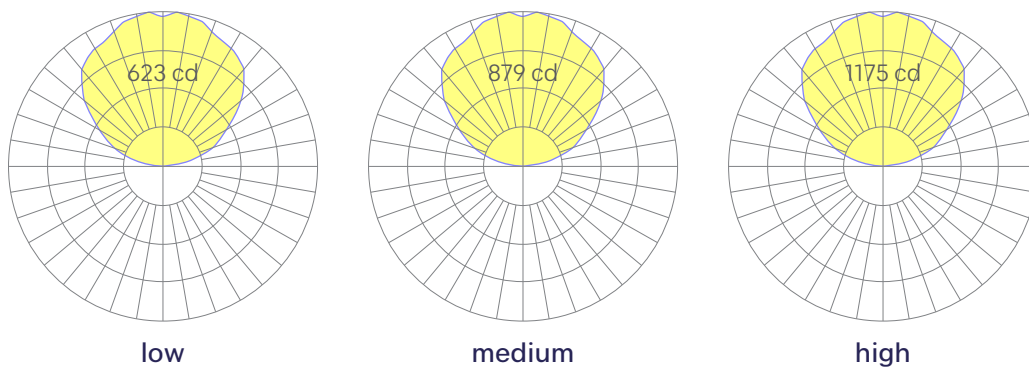
Features

- Our own J Track supplied on the direct side
- Can be specified with our Point heads for the J Track
- Extruded, recycled aluminum housing
- Aluminum core LED boards
- Specifiable color temperature. CRI > 90, R9 > 50
- Custom lengths, welded patterns, and finishes available
- Specifiable dimmable drivers or PoE
- 5 Year, 50,000 hour warranty, damp location rated
- WELL Building Standard compatible [learn more](#)

Dimensions



Optics



Representative distribution and peak candela. For other options see order information or IES files [here](#).

Ordering Information

For each option group below specify one option. If you don't see your preferred option listed, contact us for [help](#).

1	Fixture ID	2	Length	3	Color Temperature	4	Output
TRX		2	2 ft	27	2700K/90 CRI	LOW	Low output
		4	4 ft	30	3000K/90 CRI	MED	Medium output
		8	8 ft	35	3500K/90 CRI	HIGH	High output
		XX	Specify length	40	4000K/90 CRI	CUST	Custom output
		PAT	Pattern Submit drawing.	50	5000K/90 CRI		Specify watts or lumens: Up to 13W/ft max. Down to 6W/driver min.
				TW	Tunable White 2700K-6500K Must use TW10 or DALI driver.		
				RGBW30	RGB +white; 3000k Must use remote DMX driver.		
				RGBW35	RGB +white; 3500k Must use remote DMX driver.		
				RGBW40	RGB +white; 4000k Must use remote DMX driver.		
				WD	Warm Dim 2200K-3000K Must use WD10 driver.		
5	Voltage	6	Driver	7	Finish	8	Mounting
120V	120 volts	DB	Standard 0-10V 1%	W	White	AC	AC cable 50 in. cable; 5 in. canopy.
		DB.1%	0-10V 0.1%	CC	Custom color See finish options here	ACTB9	AC cable + 9/16th Tbar clip
		ELV	Reverse phase 1% (120V only)			ACTB15	AC cable + 15/16th Tbar clip
		TRI	Forward phase			ACTBSG	AC cable + Slot Grid Tbar clip
		LDE1	Lutron Digital EcoSystem			AC3.5	3.5 in. canopy + Jbox adaptor Adaptor must be mudded-in.
		DALI	DALI-2 driver			ACCC	AC cable To conduit pipe canopy.
		PoE	Power over Ethernet				
		TW10	2 channel 0-10V for tunable white				
		WD10	0-10V warm dimming				
		DMX	DMX512 All DMX drivers set to default address 001 and provided in remote enclosers. Contact us for other addressing needs.				
		JAB	JAB compliant 1% dimming				
9	Optics	10	Sensors/Controls	11	Circuit	12	Options
SD	Standard diffuser	NA	None	NA	None	NA	None
		ACM	Acuity nLight- module only	EMPCK	Emergency battery pack	STD	White canopy/cord/stem
		CCS	Casambi module	EMCKT	Emergency circuit May require additional power feeds.	CAN.X	Canopy + color See finish options here
		AWNR	Lutron Athena wireless node	DAYCKT	Daylight circuit May require additional power feeds.	SJ.BLK	Black cord
		OTHER	Consult factory			SJ.WHT	White cord

Performance

Output ¹	Watts/ft	Lumens/ft
Low	5	440
Medium	7	599
High	10	829

¹Based on a typically configured 90 CRI, 3500K luminaire using one driver.
Custom outputs available. Please consult factory.
For 4000K multiply by 1.05, for 3000K, 0.9%, for 2700K, 0.92.
For Warm Dim multiply by .80.

Technical Information



click [here](#) or scan QR code

Wiring diagrams, PoE and sensor details

Drivers & Electrical

Integral drivers* with 0-10V Dimming standard. Several other driver options available; see ordering information. All driver options are for NON-TRACK portion of the fixture. TRACK is only available in 120V configuration.

*DMX drivers are provided in remote enclosures.

Sensors & Controls

Sensors are installed on an aluminum plate adjacent to the luminaire lens¹. Coronet remains agnostic in our approach to sensors and control systems; our fixtures are compatible with most systems offered. All control options are for NON-TRACK portion of the fixture.

¹Not applicable to indirect only models. Consult factory.

Emergency Back-Up

For fixtures three-feet or longer, a 6W emergency driver may be wired to 4ft sections. A 10W driver is also available (consult factory). Emergency circuits for use with building generators are also available. All emergency battery pack and circuit options are for NON-TRACK portion of the fixture.

PoE (Power over Ethernet)

Compatible with virtually all PoE systems including Moxel Coresync, Igor, Smartengine, Platformatics, and NuLED SPICEbox.

Consult factory for systems not listed. See [here](#) for more info.

Finishes

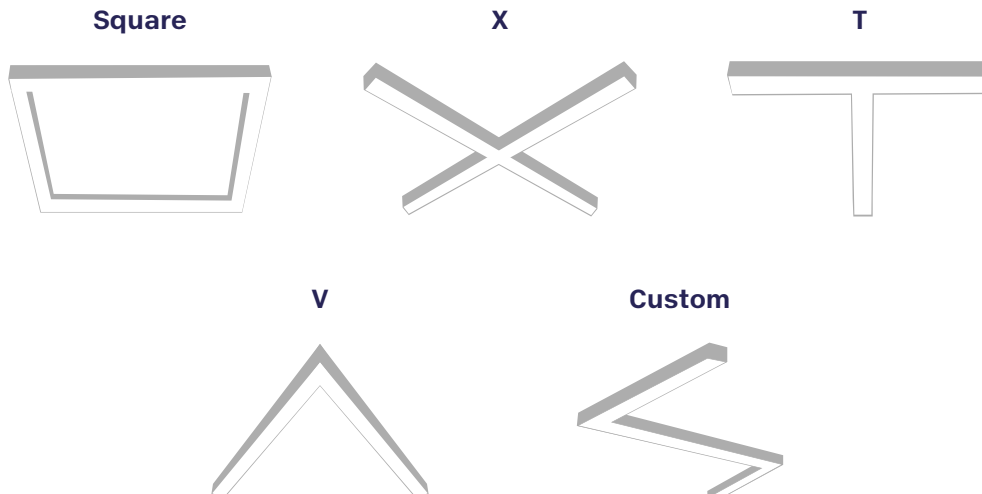
All luminaires are finished in high quality polyester powder coating. Our standard color is white. Any RAL color may be specified.

Weight

3 lbs per foot

Patterns

Featuring illuminated welded corners and angles. Consult factory for custom designs and elevations.



Optics

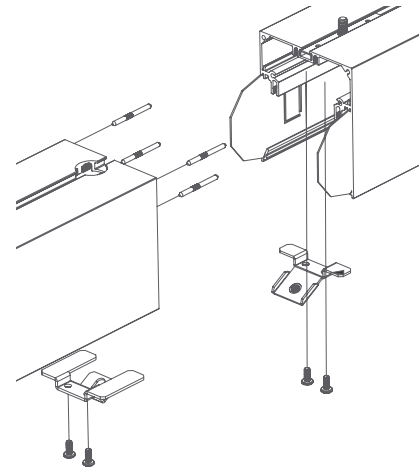
Extruded satin acrylic lenses provide excellent diffusion, high transmission, and no LED imaging.

Construction

Housings are extruded premium, recycled aluminum. Individual fixtures are available up to 12' long and may be specified as nominal or precision lengths. Precision lengths are supplied within 1/8" tolerance.

Joined Runs

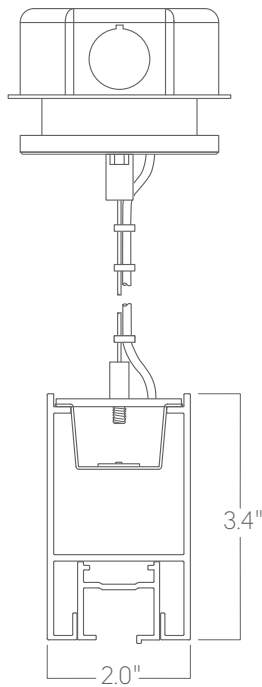
Runs of any length may be specified and are comprised of multiple, factory-engineered, joined sections. Individually specified luminaires are not field joinable.



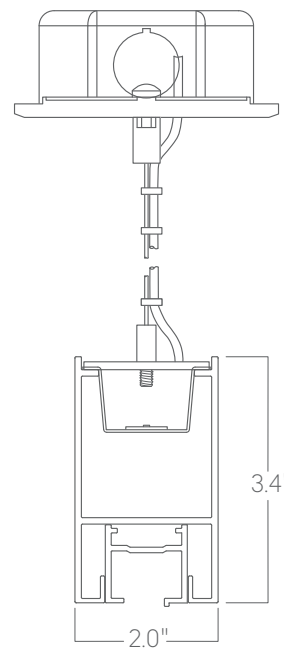
Representative joinery. For product specific details see installation guides or submittal drawings.

Mounting Options

Custom mounting types and ceiling transitions available; consult factory.
Mounting and power feed locations will be added to approval drawings on request.



**Aircraft cable
3.5" canopy**



**Aircraft cable
5" canopy**

Please consult factory shop drawings for suspension points.

To prevent damage to fixtures, factory designated suspension points must not be field altered.

Do not attempt installation if you do not understand the installation instructions.