

Orb 12

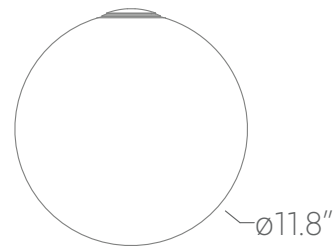


A sleek, spherical luminaire with a stem mount, available in a twelve inch diameter with two shades to fit in any modern space.

Features

- Metal pendant stem mounting
- Remote and dimmable drivers
- Aluminum core LED boards
- Specifiable color temperature. CRI > 90, R9 > 50
- 5 Year, 50,000 hour warranty, damp location rated

Dimensions



Optional Shades



Mars



Venus Astra

Ordering Information

For each option group below specify one option. If you don't see your preferred option listed, contact us for [help](#).

1 Fixture ID	2 Shade	3 Color Temperature	4 Output								
ORB.12	NA No shade MRS Mars 17-inch nominal shade. See page 3 for details. VNAST Venus Astra 14-inch nominal shade. See page 3 for details.	27 2700K/90 CRI 30 3000K/90 CRI 35 3500K/90 CRI 40 4000K/90 CRI	MED Medium output								
5 Voltage	6 Driver	7 Outer shade finish	8 Finial Finish								
UNV Universal (120/277V)	DB Standard 0-10V 1% DB.1% 0-10V 0.1% ELV Reverse phase 1% (120V only) TRI Forward phase LDE1 Lutron Digital EcoSystem DALI DALI-2 driver PoE Power over ethernet DMX DMX512 All DMX drivers set to default address 001 and provided in remote enclosers. Contact us for other addressing needs. JA8 JA8 compliant 1% dimming	W White BLK Black GLD Pearl gold (RAL 1036) BLU Gentian blue (RAL 5010) RED Carmine red (RAL 3002) CC Custom color See finish options here NA None Only specify if no shade.	W White BLK Black GLD Pearl gold (RAL 1036) BLU Gentian blue (RAL 5010) RED Carmine red (RAL 3002) CC Custom color See finish options here NA None Only specify if no shade.								
9 Stem finish	10 Canopy finish	11 Mounting	12 Sensors/Controls								
W White BLK Black CC Custom color See finish options here NA None No stem. Cable mount.	W White BLK Black CC Custom color See finish options here	PS.X Pendant stem with standard 5-inch canopy. 12, 18, 24, 36, or 48 in. Consult factory for lengths not shown. PSFC Field cuttable pendant stem 94 in. stem field cuttable to any length.	NA None AWNDR Lutron Athena wireless node CCS Casambi module								
13 Circuit	<h2>Performance</h2>										
NA None EMPCK Emergency battery pack EMCKT Emergency circuit May require additional power feeds.	<table border="1"> <thead> <tr> <th>Shade¹</th> <th>Watts</th> <th>Lumens</th> <th>LPW</th> </tr> </thead> <tbody> <tr> <td>NA</td> <td>16</td> <td>1020</td> <td>64</td> </tr> </tbody> </table>			Shade ¹	Watts	Lumens	LPW	NA	16	1020	64
Shade ¹	Watts	Lumens	LPW								
NA	16	1020	64								

¹Based on a typically configured 90 CRI, 3500K luminaire using one driver. MR lamps are 8 Watts, 383 lumens each. Custom outputs available. Please consult factory. For 4000K multiply by 1.05, for 3000K, 0.96, for 2700K, 0.92.



Wiring diagrams, PoE and sensor details
Click or Scan



Orb 12

Drivers & Electrical

Remote, dimmable drivers are supplied in enclosures. Linear dimming curve by default. Consult factory for logarithmic options.

For remote driver box sizes, click [here](#).

Emergency Back-Up

A 6W remote emergency driver may be wired. Emergency circuits for use with building generators are also available.

Weight

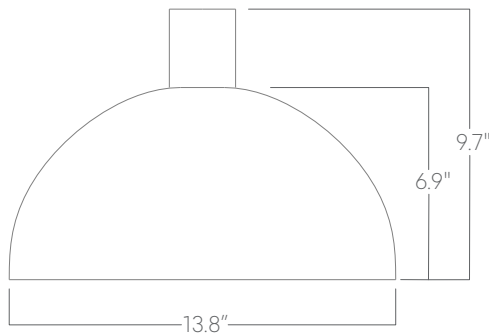
Shade Shapes

Optics

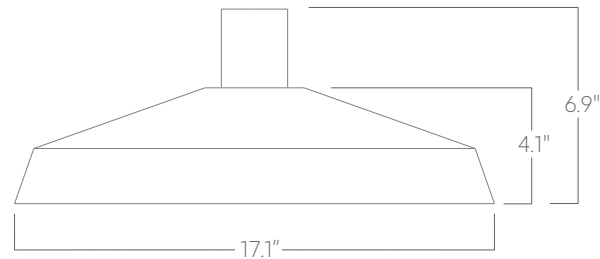
Glass optic provides excellent diffusion and no LED imaging.

Finishes

Pendant stem is made of steel tubing. The standard color of the stem is black. The outer shades can specified to match any RAL color. The inner shade is always white.



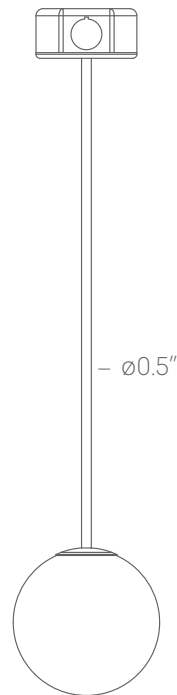
Venus Astra



Mars

Mounting Options

Custom mounting types and ceiling transitions available; consult factory.
Mounting and power feed locations will be added to approval drawings on request.



Pendant stem

Please consult factory shop drawings for suspension points.

To prevent damage to fixtures, factory designated suspension points must not be field altered.

Do not attempt installation if you do not understand the installation instructions.