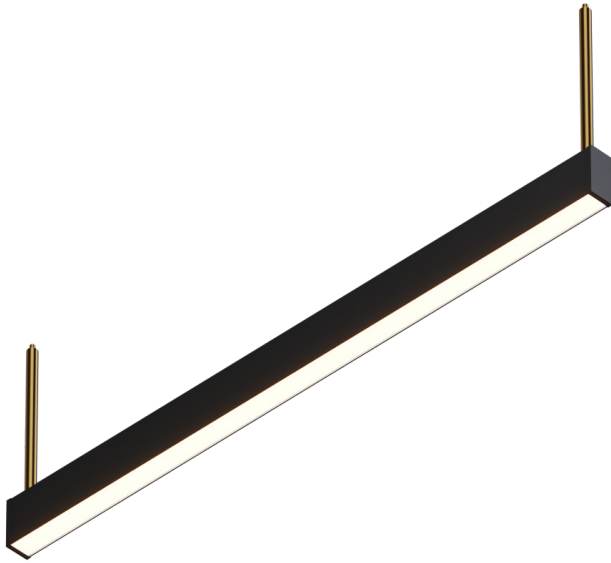


Rush decorative stem indirect/direct

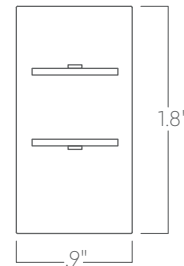


Our linear architectural luminaires offer a wide range of profiles and mounting options. Custom lengths and patterns are tailored to suit any modern space.

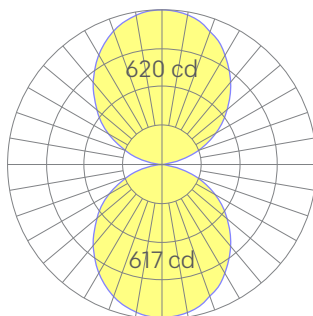
Features

- 6.5" tall decorative stem mounting
- Power over aircraft cable system
- Extruded recycled aluminum housing
- Aluminum core LED boards, specifiable output
- Specifiable color temperature. CRI > 90, R9 > 50
- Custom lengths, welded patterns, and finishes available
- Specifiable dimmable drivers or PoE
- 5 Year, 50,000 hour warranty, damp location rated
- WELL Building Standard compatible [learn more](#)

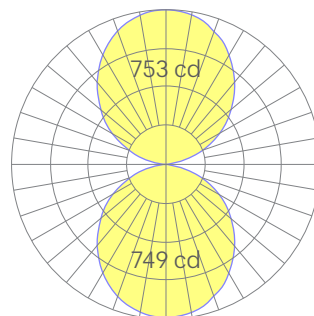
Dimensions



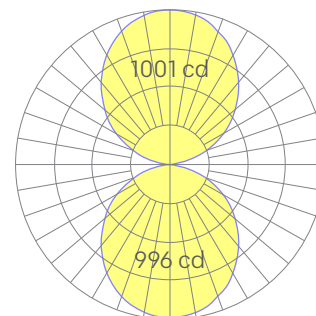
Optics



low



medium



high

Representative distribution and peak candela. For other options see order information or IES files [here](#).

Rush decorative stem indirect/direct

Ordering Information

For each option group below specify one option. If you don't see your preferred option listed, contact us for [help](#).

1 Fixture ID	2 Length	3 Color Temperature	4 Indirect Output
RUSH.UPDN.DPS	2 2 ft 4 4 ft 8 8 ft XX Specify length PAT Pattern Submit drawing.	27 2700K/90 CRI 30 3000K/90 CRI 35 3500K/90 CRI 40 4000K/90 CRI	LOW Low output MED Medium output HIGH High output CUST Custom output Specify watts or lumens: Up to 13W/ft max. Down to 6W/driver min.
5 Direct Output	6 Voltage	7 Driver	8 Housing Finish
LOW Low output MED Medium output HIGH High output CUST Custom output Specify watts or lumens: Up to 13W/ft max. Down to 6W/driver min.	UNV Universal (120/277V) 347V 347V	DB Standard 0-10V 1% DB.1% 0-10V 0.1% ELV Reverse phase 1% (120V only) TRI Forward phase LDE1 Lutron Digital EcoSystem DALI DALI-2 driver PoE Power over ethernet DMX DMX512 All DMX drivers set to default address 001 and provided in remote enclosers. Contact us for other addressing needs. JA8 JA8 compliant 1% dimming	W White BLK Black CC Custom color See finish options here SLV Silver
9 Stem Finish	10 Mounting	11 Optics Indirect	12 Optics Direct
BRS Brass W White BLK Black SLV Silver	ACP Power over aircraft cable. AC AC cable (50 in.) AC3.5 3.5 in. canopy + Jbox adaptor Adaptor must be mudded-in. ACCC AC cable To conduit pipe canopy. SM Surface Mount WM Wall mount PS.X Pendant stem with standard 5-inch canopy. 12, 18, 24, 36, or 48 in. Consult factory for lengths not shown. PSFC Field cuttable pendant stem 94 in. stem field cuttable to any length.	SD Standard diffuser	SD Standard diffuser
13 Sensors/Controls	14 Circuit	15 Options	
NA None ACM Acuity nLight- module only CCS Casambi module AWNRR Lutron Athena wireless node OTHER Consult factory	NA None EMCKT Emergency circuit May require additional power feeds. DAYCKT Daylight circuit May require additional power feeds. EMPCK Emergency battery pack DC Dual 0-10v control; dual power feed	NA None STD White canopy/cord/stem CAN.X Canopy + color See finish options here SJ.BLK Black cord SJ.WHT White cord MPD Mounting + power drawings Mounting and power feed locations will be added to approval drawings. See additional information here.	

Rush decorative stem indirect/direct

Drivers & Electrical

Remote, dimmable drivers are supplied in enclosures.
For remote driver box sizes, click [here](#)

Emergency Back-Up

For fixtures three-feet or longer, a 6W emergency driver may be wired to 4ft sections. A 10W driver is also available (consult factory). Emergency circuits for use with building generators are also available.

Finishes

All luminaires are finished in high quality polyester powder coating. Our standard color is white. Any RAL color may be specified.

Weight

1 lb per foot

Optics

Glare-free, beam-controlling TIR optics.

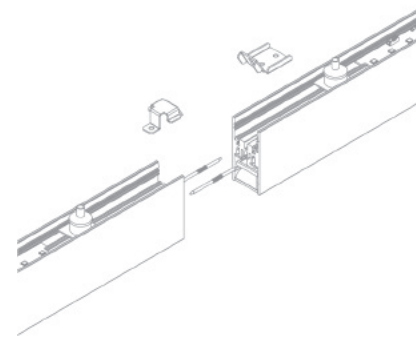
Construction

Extruded, recycled aluminum housing with formed cast ends.

Joined Runs

Runs of any length¹ may be specified and are comprised of multiple, factory-engineered, joined sections. Individually specified luminaires are not field joinable.

¹Custom lengths available in 12" nominal increments.



Representative joinery. For product specific details see installation guides or submittal drawings.

Performance

Output ¹	Indirect			Direct		
	Watts/ft	Lumens/ft	LPW	Watts/ft	Lumens/ft	LPW
Low	4	368	92	4	383	96
Medium	5	447	89	5	465	93
High	7	595	85	7	618	88

¹Based on a typically configured 90 CRI, 3500K luminaire using one driver.
Custom outputs available. Please consult factory.
For 4000K multiply by 1.05; for 3000K, 0.9; for 2700K, 0.92.

Technical Information



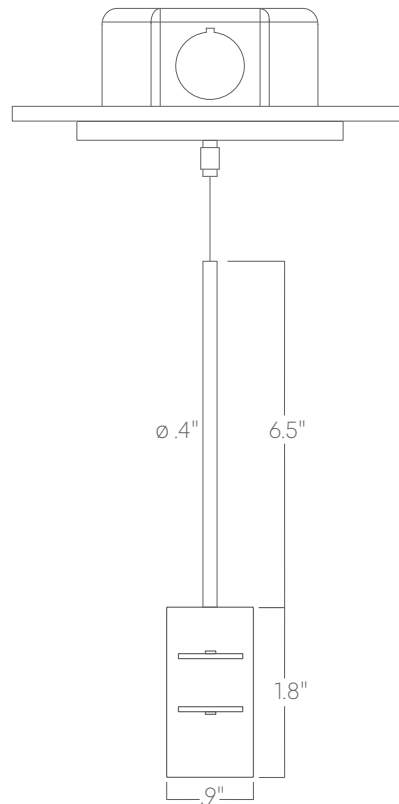
click [here](#) or scan QR code

Wiring diagrams, PoE and sensor details

Rush decorative stem indirect/direct

Mounting Options

Custom mounting types and ceiling transitions available; consult factory.
Mounting and power feed locations will be added to approval drawings on request.



Decorative Pendant Stem

Please consult factory shop drawings for suspension points.

To prevent damage to fixtures, factory designated suspension points must not be field altered.

Do not attempt installation if you do not understand the installation instructions.