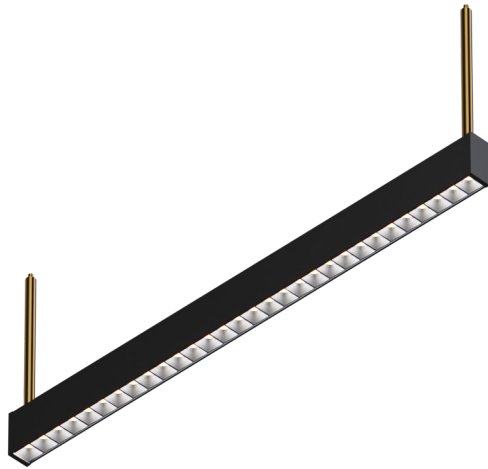


Rush Sharp decorative stem indirect/direct

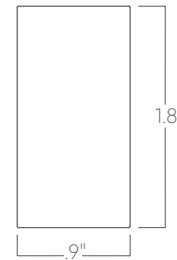


The Sharp Series of architectural luminaires features slim profiles, glare-free, beam shaping optical cells and several mounting options. Custom lengths are tailored to suit any modern space.

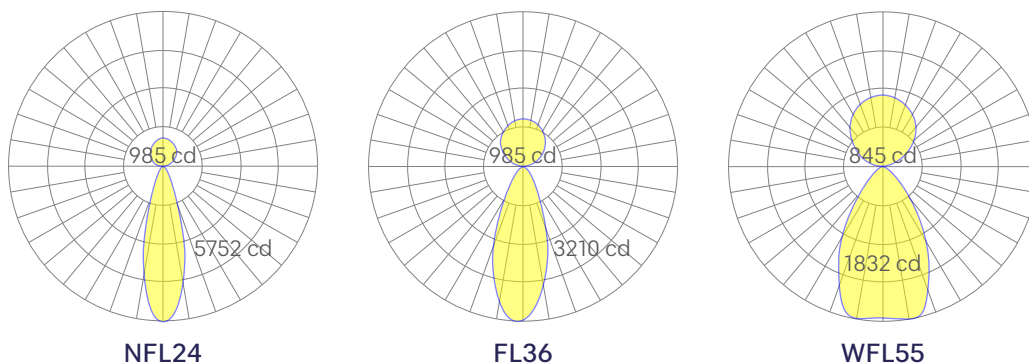
Features

- 6.5" tall decorative stem mounting
- Power over aircraft cable system
- Extruded recycled aluminum housing
- Aluminum core LED boards, specifiable output
- Specifiable color temperature. CRI > 90, R9 > 50
- Custom lengths, welded patterns, and finishes available
- Specifiable dimmable drivers or PoE
- 5 Year, 50,000 hour warranty, damp location rated
- WELL Building Standard compatible [learn more](#)

Dimensions



Optics



Representative distribution and peak candela. For other options see order information or IES files [here](#).

Rush Sharp decorative stem indirect/direct

Ordering Information

For each option group below specify one option. If you don't see your preferred option listed, contact us for [help](#).

1	Fixture ID	2	Length	3	Color Temperature	4	Indirect Output
	RUSH.SHARP.DPS.UPDN	2	2 ft	27	2700K/90 CRI	LOW	Low output
		4	4 ft	30	3000K/90 CRI	MED	Medium output
		8	8 ft	35	3500K/90 CRI	HIGH	High output
		XX	Specify length	40	4000K/90 CRI	CUST	Custom output Specify watts or lumens: Up to 13W/ft max. Down to 6W/driver min.
		PAT	Pattern Submit drawing.				
5	Direct Output	6	Voltage	7	Driver	8	Housing Finish
	LOW Low output	UNV Universal (120/277V)		DB Standard 0-10V 1%		W White	
	MED Medium output	347V 347V		DB.1% 0-10V 0.1%		BLK Black	
	HIGH High output			ELV Reverse phase 1% (120V only)		CC Custom color See finish options here	
	CUST Custom output Specify watts or lumens: Up to 13W/ft max. Down to 6W/driver min.			TRI Forward phase		SLV Silver	
				DALI DALI-2 driver			
				DMX DMX512 All DMX drivers set to default address 001 and provided in remote enclosers. Contact us for other addressing needs.			
				JA8 JA8 compliant 1% dimming			
9	Louver Finish	10	Stem Finish	11	Mounting	12	Optics Indirect
	W White	BRS Brass		ACP Power over aircraft cable.		SD Standard diffuser	
	BLK Black	W White		AC AC cable (50 in.)			
		BLK Black		AC3.5 3.5 in. canopy + Jbox adaptor Adaptor must be mudded-in.			
		SLV Silver		ACCC AC cable To conduit pipe canopy.			
				SM Surface Mount			
				WM Wall mount			
				PS.X Pendant stem with standard 5-inch canopy. 12, 18, 24, 36, or 48 in. Consult factory for lengths not shown.			
				PSFC Field cuttable pendant stem 94 in. stem field cuttable to any length.			
13	Optics Direct	14	Sensors/Controls	15	Circuit	16	Options
	NFL24 Narrow flood: 24-degree beam	NA None		NA None		NA None	
	FL36 Flood: 36-degree beam	ACM Acuity nLight- module only		EMCKT Emergency circuit May require additional power feeds.		STD White canopy/cord/stem	
	WFL55 Wide flood: 55-degrees	CCS Casambi module		DAYCKT Daylight circuit May require additional power feeds.		CAN.X Canopy + color See finish options here	
		AWNR Lutron Athena wireless node		EMPCK Emergency battery pack		SJ.BLK Black cord	
		OTHER Consult factory		DC Dual 0-10v control; dual power feed		SJ.WHT White cord	
						MPD Mounting + power drawings Mounting and power feed locations will be added to approval drawings. See additional information here .	

Rush Sharp decorative stem indirect/direct

Drivers & Electrical

Remote, dimmable drivers are supplied in enclosures.
For remote driver box sizes, click [here](#).

Emergency Back-Up

For fixtures three-feet or longer, a 6W emergency driver may be wired to 4ft sections. A 10W driver is also available (consult factory). Emergency circuits for use with building generators are also available.

Finishes

All luminaires are finished in high quality polyester powder coating. Our standard color is white. Any RAL color may be specified.

Weight

1 lb per foot

Optics

Glare-free, beam-controlling TIR optics.

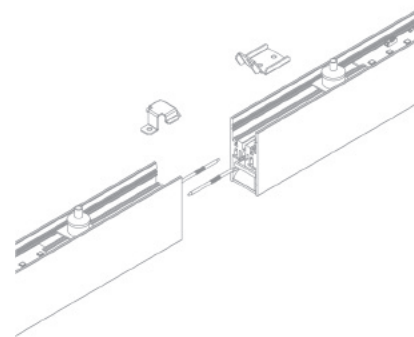
Construction

Extruded, recycled aluminum housing with formed cast ends.

Joined Runs

Runs of any length¹ may be specified and are comprised of multiple, factory-engineered, joined sections. Individually specified luminaires are not field joinable.

¹Custom lengths available in 12" nominal increments.



Representative joinery. For product specific details see installation guides or submittal drawings.

Performance

Output ¹	Indirect			Direct		
	Watts/ft	Lumens/ft	LPW	Watts/ft	Lumens/ft	LPW
Low	4	396	99	4	312	78
Medium	6	594	99	6	469	78
High	8	792	99	8	625	78

¹Based on a typically configured 90 CRI, 3500K luminaire using one driver.
Custom outputs available. Please consult factory.
For 4000K multiply by 1.05; for 3000K, 0.9; for 2700K, 0.92.

Technical Information



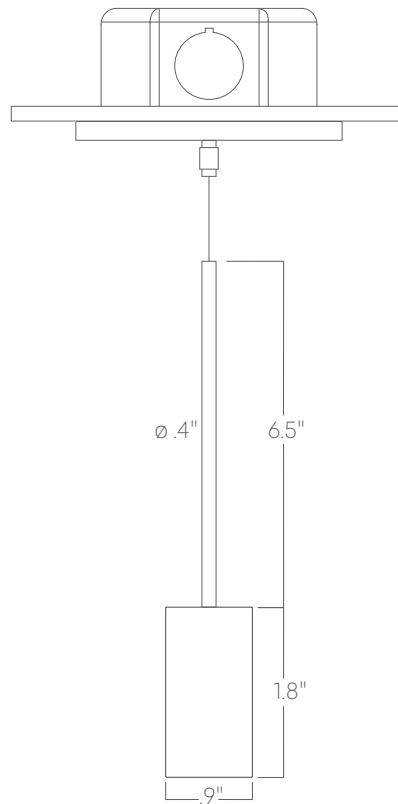
click [here](#) or scan QR code

Wiring diagrams, PoE and sensor details

Rush Sharp decorative stem indirect/direct

Mounting Options

Custom mounting types and ceiling transitions available; consult factory.
Mounting and power feed locations will be added to approval drawings on request.



Decorative Pendant Stem

Please consult factory shop drawings for suspension points.

To prevent damage to fixtures, factory designated suspension points must not be field altered.

Do not attempt installation if you do not understand the installation instructions.