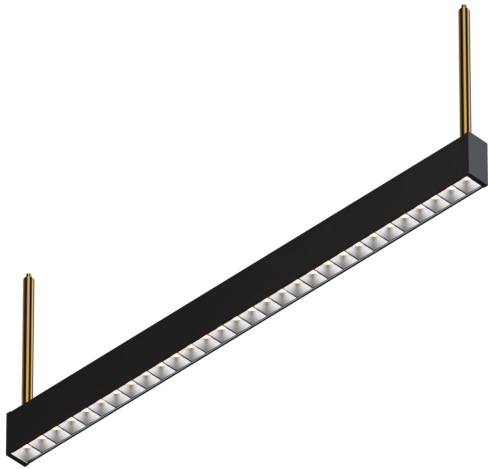


# Rush Sharp decorative stem direct

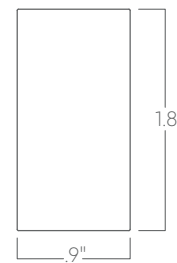


The Sharp Series of architectural luminaires features slim profiles, glare-free, beam shaping optical cells and several mounting options. Custom lengths are tailored to suit any modern space.

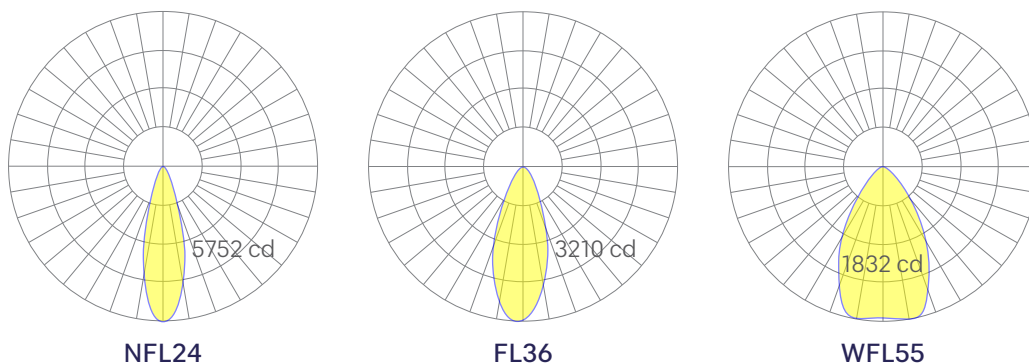
## Features

- 6.5" tall decorative stem mounting
- Power over aircraft cable system
- Extruded recycled aluminum housing
- Aluminum core LED boards, specifiable output
- Specifiable color temperature. CRI > 90, R9 > 50
- Custom lengths, welded patterns, and finishes available
- Specifiable dimmable drivers or PoE
- 5 Year, 50,000 hour warranty, damp location rated
- WELL Building Standard compatible [learn more](#)

## Dimensions



## Optics



Representative distribution and peak candela. For other options see order information or IES files [here](#).

# Rush Sharp decorative stem direct

## Ordering Information

For each option group below specify one option. If you don't see your preferred option listed, contact us for [help](#).

1 Fixture ID	2 Length	3 Color Temperature	4 Output																
<b>RUSH.SHARP.DPS</b>	<b>2</b> 2 ft <b>4</b> 4 ft <b>8</b> 8 ft <b>XX</b> Specify length <b>PAT</b> Pattern Submit drawing.	<b>27</b> 2700K/90 CRI <b>30</b> 3000K/90 CRI <b>35</b> 3500K/90 CRI <b>40</b> 4000K/90 CRI	<b>LOW</b> Low output <b>MED</b> Medium output <b>HIGH</b> High output <b>CUST</b> Custom output Specify watts or lumens: Up to 13W/ft max. Down to 6W/driver min.																
5 Voltage	6 Driver	7 Housing Finish	8 Louver Finish																
<b>UNV</b> Universal (120/277V) <b>347V</b> 347V	<b>DB</b> Standard 0-10V 1% <b>DB.1%</b> 0-10V 0.1% <b>ELV</b> Reverse phase 1% (120V only) <b>TRI</b> Forward phase <b>DALI</b> DALI-2 driver <b>DMX</b> DMX512 All DMX drivers set to default address 001 and provided in remote enclosures. Contact us for other addressing needs. <b>JA8</b> JA8 compliant 1% dimming	<b>W</b> White <b>BLK</b> Black <b>CC</b> Custom color <a href="#">See finish options here</a> <b>SLV</b> Silver	<b>W</b> White <b>BLK</b> Black																
9 Stem Finish	10 Mounting	11 Optics	12 Sensors/Controls																
<b>BRS</b> Brass <b>W</b> White <b>BLK</b> Black <b>SLV</b> Silver	<b>ACP</b> Power over aircraft cable. <b>AC</b> AC cable (50 in.) <b>AC3.5</b> 3.5 in. canopy + Jbox adaptor Adaptor must be mudded-in. <b>ACCC</b> AC cable To conduit pipe canopy. <b>SM</b> Surface Mount <b>WM</b> Wall mount <b>PS.X</b> Pendant stem with standard 5-inch canopy. 12, 18, 24, 36 or 48 in. Consult factory for lengths not shown. <b>PSFC</b> Field cuttable pendant stem 94 in. stem field cuttable to any length.	<b>NFL24</b> Narrow flood: 24-degree beam <b>FL36</b> Flood: 36-degree beam <b>WFL55</b> Wide flood: 55-degrees	<b>NA</b> None <b>ACM</b> Acuity nLight- module only <b>CCS</b> Casambi module <b>AWNDR</b> Lutron Athena wireless node <b>OTHER</b> Consult factory																
13 Circuit	14 Options	<h2>Performance</h2>																	
<b>NA</b> None <b>EMCKT</b> Emergency circuit May require additional power feeds. <b>DAYCKT</b> Daylight circuit May require additional power feeds. <b>EMPKK</b> Emergency battery pack	<b>NA</b> None <b>STD</b> White canopy/cord/stem <b>CAN.X</b> Canopy + color <a href="#">See finish options here</a> <b>SJ.BLK</b> Black cord <b>SJ.WHT</b> White cord <b>MPD</b> Mounting + power drawings Mounting and power feed locations will be added to approval drawings. <a href="#">See additional information here.</a>	<table border="1"> <thead> <tr> <th>Output<sup>1</sup></th> <th>Watts/ft</th> <th>Lumens/ft</th> <th>LPW</th> </tr> </thead> <tbody> <tr> <td>Low</td> <td>4</td> <td>312</td> <td>78</td> </tr> <tr> <td>Medium</td> <td>6</td> <td>469</td> <td>78</td> </tr> <tr> <td>High</td> <td>8</td> <td>625</td> <td>78</td> </tr> </tbody> </table>		Output <sup>1</sup>	Watts/ft	Lumens/ft	LPW	Low	4	312	78	Medium	6	469	78	High	8	625	78
Output <sup>1</sup>	Watts/ft	Lumens/ft	LPW																
Low	4	312	78																
Medium	6	469	78																
High	8	625	78																

<sup>1</sup>Based on a typically configured 90 CRI, 3500K luminaire using one driver. MR lamps are 8 Watts, 383 lumens each. Custom outputs available. Please consult factory. For 4000K multiply by 1.05; for 3000K, 0.96; for 2700K, 0.92.



Wiring diagrams, PoE and sensor details  
Click or Scan



# Rush Sharp decorative stem direct

## Drivers & Electrical

Remote, dimmable drivers are supplied in enclosures.

For remote driver box sizes, click [here](#)

## Emergency Back-Up

For fixtures three-feet or longer, a 6W emergency driver may be wired to 4ft sections. A 10W driver is also available (consult factory). Emergency circuits for use with building generators are also available.

## Finishes

All luminaires are finished in high quality polyester powder coating. Our standard color is white. Any RAL color may be specified.

1 lb per foot  
**Weight**

## Optics

Glare-free, beam-controlling TIR optics.

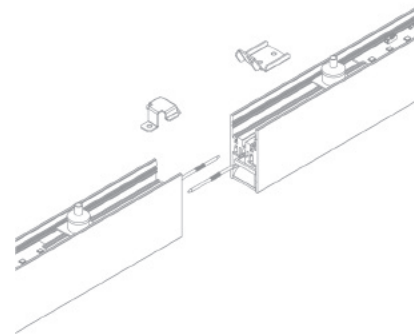
## Construction

Extruded, recycled aluminum housing with formed cast ends.

## Joined Runs

Runs of any length<sup>1</sup> may be specified and are comprised of multiple, factory-engineered, joined sections. Individually specified luminaires are not field joinable.

<sup>1</sup>Custom lengths available in 12" nominal increments.

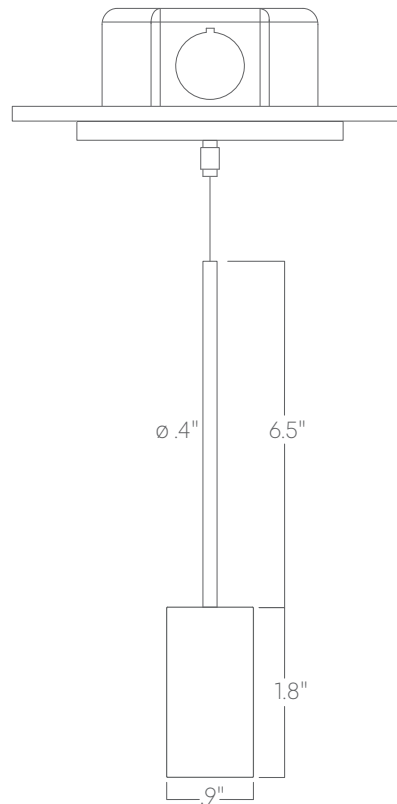


Representative joinery. For product specific details see installation guides or submittal drawings.

# Rush Sharp decorative stem direct

## Mounting Options

Custom mounting types and ceiling transitions available; consult factory.  
Mounting and power feed locations will be added to approval drawings on request.



**Decorative Pendant Stem**

Please consult factory shop drawings for suspension points.

To prevent damage to fixtures, factory designated suspension points must not be field altered.

Do not attempt installation if you do not understand the installation instructions.