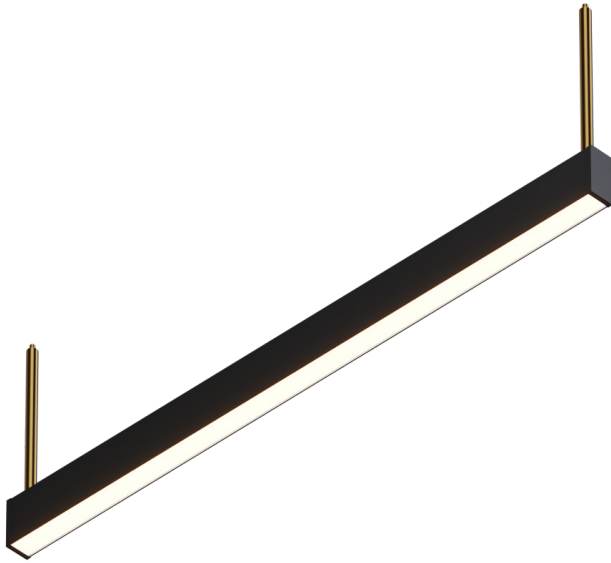


Rush decorative stem direct

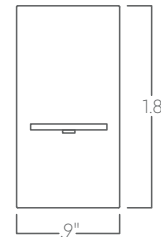


Our linear architectural luminaires offer a wide range of profiles and mounting options. Custom lengths and patterns are tailored to suit any modern space.

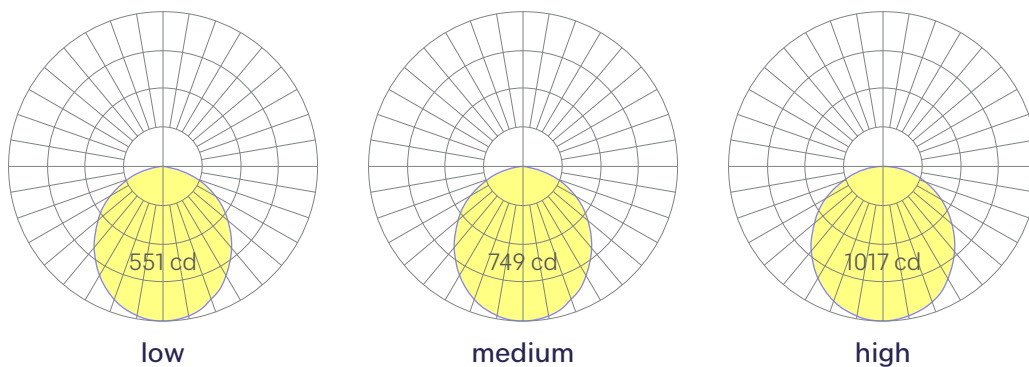
Features

- 6.5" tall decorative stem mounting
- Power over aircraft cable system
- Extruded recycled aluminum housing
- Aluminum core LED boards, specifiable output
- Specifiable color temperature. CRI > 90, R9 > 50
- Custom lengths, welded patterns, and finishes available
- Specifiable dimmable drivers or PoE
- 5 Year, 50,000 hour warranty, damp location rated
- WELL Building Standard compatible [learn more](#)

Dimensions



Optics



Representative distribution and peak candela. For other options see order information or IES files [here](#).

Rush decorative stem direct

Ordering Information

For each option group below specify one option. If you don't see your preferred option listed, contact us for [help](#).

| 1 | Fixture ID | 2 | Length | 3 | Color Temperature | 4 | Output |
|---------------|--|--------------|---|--------------|---|---------------|---|
| | RUSH.DPS | 2 | 2 ft | 27 | 2700K/90 CRI | LOW | Low output |
| | | 4 | 4 ft | 30 | 3000K/90 CRI | MED | Medium output |
| | | 8 | 8 ft | 35 | 3500K/90 CRI | HIGH | High output |
| | | XX | Specify length | 40 | 4000K/90 CRI | CUST | Custom output Specify watts or lumens: Up to 13W/ft max. Down to 6W/driver min. |
| | | PAT | Pattern Submit drawing. | | | | |
| 5 | Voltage | 6 | Driver | 7 | Housing Finish | 8 | Stem Finish |
| UNV | Universal (120/277V) | DB | Standard 0-10V 1% | W | White | BRS | Brass |
| 347V | 347V | DB.1% | 0-10V 0.1% | BLK | Black | W | White |
| | | ELV | Reverse phase 1% (120V only) | CC | Custom color See finish options here | BLK | Black |
| | | TRI | Forward phase | SLV | Silver | SLV | Silver |
| | | LDE1 | Lutron Digital EcoSystem | | | | |
| | | DALI | DALI-2 driver | | | | |
| | | PoE | Power over ethernet | | | | |
| | | DMX | DMX512 All DMX drivers set to default address 001 and provided in remote enclosers. Contact us for other addressing needs. | | | | |
| | | JAB | JAB compliant 1% dimming | | | | |
| 9 | Mounting | 10 | Optics | 11 | Sensors/Controls | 12 | Circuit |
| ACP | Power over aircraft cable. | SD | Standard diffuser | NA | None | NA | None |
| AC | AC cable (50 in.) | | | ACM | Acuity nLight- module only | EMCKT | Emergency circuit May require additional power feeds. |
| AC3.5 | 3.5 in. canopy + Jbox adaptor Adaptor must be mudded-in. | | | CCS | Casambi module | DAYCKT | Daylight circuit May require additional power feeds. |
| ACCC | AC cable To conduit pipe canopy. | | | AWNRR | Lutron Athena wireless node | EMPCK | Emergency battery pack |
| SM | Surface Mount | | | OTHER | Consult factory | | |
| WM | Wall mount | | | | | | |
| PS.X | Pendant stem with standard 5-inch canopy. 12, 18, 24, 36, or 48 in. Consult factory for lengths not shown. | | | | | | |
| PSFC | Field cuttable pendant stem 94 in. stem field cuttable to any length. | | | | | | |
| 13 | Options | | | | | | |
| NA | None | | | | | | |
| STD | White canopy/cord/stem | | | | | | |
| CAN.X | Canopy + color See finish options here | | | | | | |
| SJ.BLK | Black cord | | | | | | |
| SJ.WHT | White cord | | | | | | |
| MPD | Mounting + power drawings Mounting and power feed locations will be added to approval drawings. See additional information here. | | | | | | |

Performance

| Output ¹ | Watts/ft | Lumens/ft | LPW |
|---------------------|----------|-----------|-----|
| Low | 4 | 383 | 96 |
| Medium | 5 | 465 | 93 |
| High | 7 | 618 | 88 |

¹Based on a typically configured 90 CRI, 3500K luminaire using one driver.
MR lamps are 8 Watts, 383 lumens each.
Custom outputs available. Please consult factory.
For 4000K multiply by 1.05; for 3000K, 0.96; for 2700K, 0.92.



Wiring diagrams, PoE and sensor details
Click or Scan

Rush decorative stem direct

Drivers & Electrical

Remote, dimmable drivers are supplied in enclosures. Our Power Over Wire system delivers power to the luminaire via the suspension cables, eliminating a separate power feed.

For remote driver box sizes, click [here](#).

Emergency Back-Up

For fixtures three-feet or longer, a 6W emergency driver may be wired to 4ft sections. A 10W driver is also available (consult factory). Emergency circuits for use with building generators are also available.

PoE (Power over Ethernet)

Compatible with virtually all PoE systems including Molex Coresync, Igor, Smartengine, Platformatics, and NuLED SPICEbox.

Consult factory for systems not listed. See [here](#) for more info.

Finishes

All luminaires are finished in high quality polyester powder coating. Our standard color is white. Any RAL color may be specified.

Weight

1 lb per foot

Optics

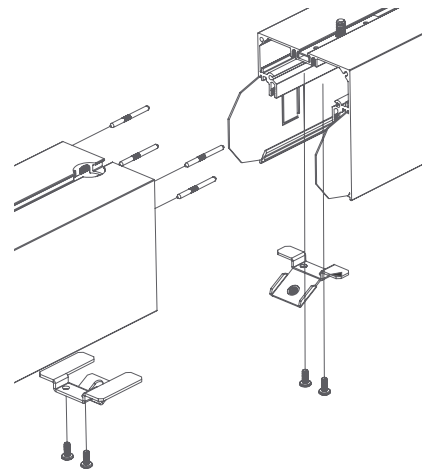
Extruded satin acrylic lenses provide excellent diffusion, high transmission, and no LED imaging. Glare-free, beam-shaping, optical cells are available for some models.

Construction

Housings are extruded premium, recycled aluminum. Individual fixtures are available up to 12' long and may be specified as nominal or precision lengths.

Joined Runs

Runs of any length may be specified and are comprised of multiple, factory-engineered, joined sections. Individually specified luminaires are not field joinable.

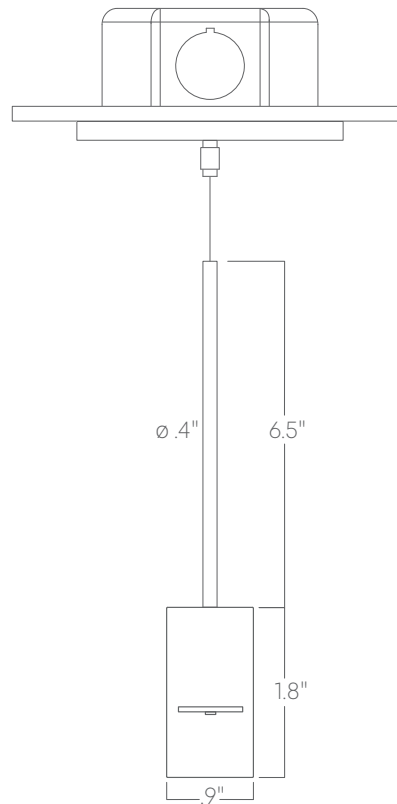


Representative joinery. For product specific details see installation guides or submittal drawings.

Rush decorative stem direct

Mounting Options

Custom mounting types and ceiling transitions available; consult factory.
Mounting and power feed locations will be added to approval drawings on request.



Decorative Pendant Stem

Please consult factory shop drawings for suspension points.

To prevent damage to fixtures, factory designated suspension points must not be field altered.

Do not attempt installation if you do not understand the installation instructions.