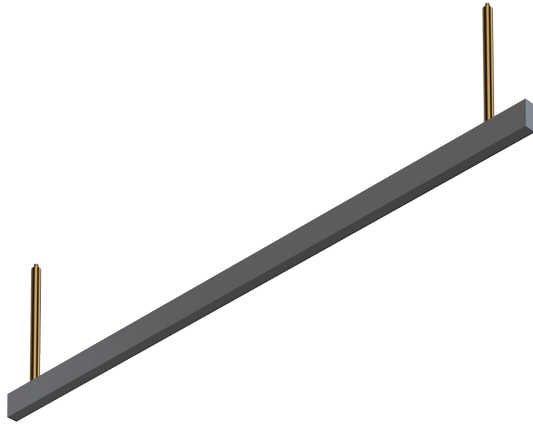


# Rush Black Optic decorative stem indirect/direct

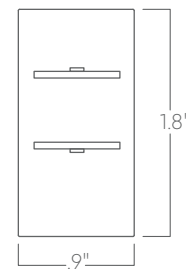


The Black Optic Series of architectural luminaires seamlessly blends into dark surroundings. Custom lengths and patterns are tailored to suit any modern space.

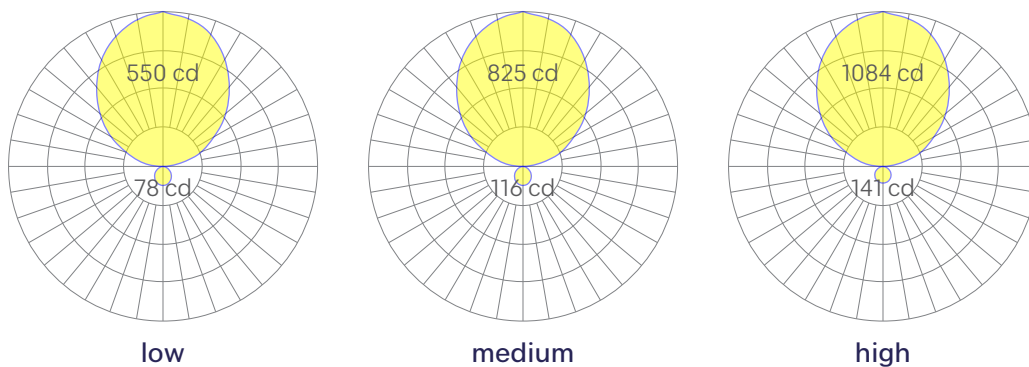
## Features

- 6.5" tall decorative stem mounting
- Power over aircraft cable system
- Specially formulated lens that blends into dark spaces
- Extruded recycled aluminum housing
- Aluminum core LED boards, specifiable output
- Specifiable color temperature. CRI > 90, R9 > 50
- Custom lengths, welded patterns, and finishes available
- Integral specifiable dimmable drivers or PoE
- 5 Year, 50,000 hour warranty, damp location rated
- WELL Building Standard compatible [learn more](#)

## Dimensions



## Optics



Representative distribution and peak candela. For other options see order information or IES files [here](#).

# Rush Black Optic decorative stem indirect/direct

## Ordering Information

For each option group below specify one option. If you don't see your preferred option listed, contact us for [help](#).

| 1 Fixture ID  | 2 Length  | 3 Color Temperature   | 4 Indirect Output   |
|---|---|---|---|
| <b>RUSH.BKO.DPS.UPDN</b>  | <b>2</b> 2 ft<br><b>4</b> 4 ft<br><b>8</b> 8 ft<br><b>XX</b> Specify length<br><b>PAT</b> Pattern<br>Submit drawing.  | <b>27</b> 2700K/90 CRI<br><b>30</b> 3000K/90 CRI<br><b>35</b> 3500K/90 CRI<br><b>40</b> 4000K/90 CRI  | <b>LOW</b> Low output<br><b>MED</b> Medium output<br><b>HIGH</b> High output<br><b>CUST</b> Custom output<br>Specify watts or lumens: Up to 13W/ft max.<br>Down to 6W/driver min. |
| 5 Direct Output   | 6 Voltage   | 7 Driver  | 8 Housing Finish  |
| <b>LOW</b> Low output<br><b>MED</b> Medium output<br><b>HIGH</b> High output<br><b>CUST</b> Custom output<br>Specify watts or lumens: Up to 13W/ft max.<br>Down to 6W/driver min. | <b>UNV</b> Universal (120/277V)<br><b>347V</b> 347V   | <b>DB</b> Standard 0-10V 1%<br><b>DB.1%</b> 0-10V 0.1%<br><b>ELV</b> Reverse phase 1% (120V only)<br><b>TRI</b> Forward phase<br><b>DALI</b> DALI-2 driver<br><b>PoE</b> Power over ethernet<br><b>DMX</b> DMX512<br>All DMX drivers set to default address 001 and provided in remote enclosers. Contact us for other addressing needs.<br><b>JA8</b> JA8 compliant 1% dimming | <b>W</b> White<br><b>BLK</b> Black<br><b>CC</b> Custom color<br><a href="#">See finish options here</a><br><b>SLV</b> Silver  |
| 9 Stem Finish   | 10 Mounting   | 11 Optics Indirect  | 12 Optics Direct  |
| <b>BRS</b> Brass<br><b>W</b> White<br><b>BLK</b> Black<br><b>SLV</b> Silver   | <b>ACP</b> Power over aircraft cable.<br><b>AC</b> AC cable (50 in.)<br><b>AC3.5</b> 3.5 in. canopy + Jbox adaptor<br>Adaptor must be mudded-in.<br><b>ACCC</b> AC cable<br>To conduit pipe canopy.<br><b>SM</b> Surface Mount<br><b>WM</b> Wall mount<br><b>PS.X</b> Pendant stem with standard 5-inch canopy.<br>12, 18, 24, 36, or 48 in. Consult factory for lengths not shown.<br><b>PSFC</b> Field cuttable pendant stem<br>94 in. stem field cuttable to any length. | <b>SD</b> Standard diffuser   | <b>BKO</b> Black optic  |
| 13 Sensors/Controls   | 14 Circuit  | 15 Options  |   |
| <b>NA</b> None<br><b>ACM</b> Acuity nLight- module only<br><b>CCS</b> Casambi module<br><b>AWNR</b> Lutron Athena wireless node<br><b>OTHER</b> Consult factory                   | <b>NA</b> None<br><b>EMCKT</b> Emergency circuit<br>May require additional power feeds.<br><b>DAYCKT</b> Daylight circuit<br>May require additional power feeds.<br><b>EMPCK</b> Emergency battery pack<br><b>DC</b> Dual 0-10v control; dual power feed  | <b>NA</b> None<br><b>STD</b> White canopy/cord/stem<br><b>CAN.X</b> Canopy + color<br><a href="#">See finish options here</a><br><b>SJ.BLK</b> Black cord<br><b>SJ.WHT</b> White cord<br><b>MPD</b> Mounting + power drawings<br>Mounting and power feed locations will be added to approval drawings. <a href="#">See additional information here.</a>                         |   |

# Rush Black Optic decorative stem indirect/direct

## Drivers & Electrical

Remote, dimmable drivers are supplied in enclosures.  
For remote driver box sizes, click [here](#)

## Emergency Back-Up

For fixtures three-feet or longer, a 6W emergency driver may be wired to 4ft sections. A 10W driver is also available (consult factory). Emergency circuits for use with building generators are also available.

## Finishes

All luminaires are finished in high quality polyester powder coating. Our standard color is white. Any RAL color may be specified.

## Weight

1 lb per foot

## Optics

Glare-free, beam-controlling TIR optics.

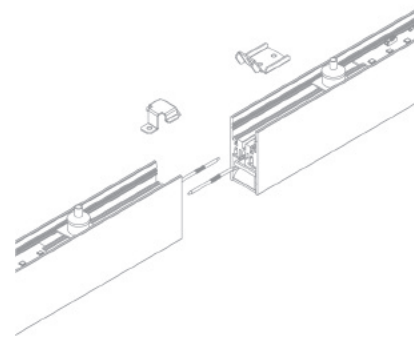
## Construction

Extruded, recycled aluminum housing with formed cast ends.

## Joined Runs

Runs of any length<sup>1</sup> may be specified and are comprised of multiple, factory-engineered, joined sections. Individually specified luminaires are not field joinable.

<sup>1</sup>Custom lengths available in 12" nominal increments.



Representative joinery. For product specific details see installation guides or submittal drawings.

## Performance

| Output <sup>1</sup> | Indirect |           | Direct   |           |
|---------------------|----------|-----------|----------|-----------|
|                     | Watts/ft | Lumens/ft | Watts/ft | Lumens/ft |
| Low                 | 4        | 340       | 4        | 53        |
| Medium              | 5        | 510       | 5        | 79        |
| High                | 7        | 670       | 7        | 100       |

<sup>1</sup>Based on a typically configured 90 CRI, 3500K luminaire using one driver.  
Custom outputs available. Please consult factory.  
For 4000K multiply by 1.05; for 3000K, 0.9; for 2700K, 0.92.

## Technical Information



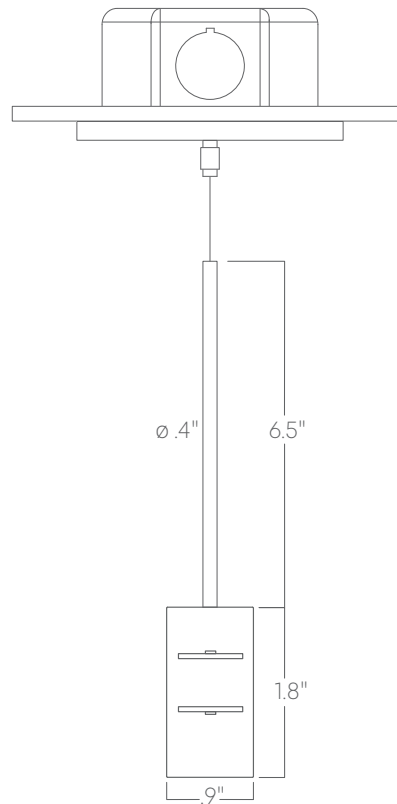
click [here](#) or scan QR code

Wiring diagrams, PoE and sensor details

# Rush Black Optic decorative stem indirect/direct

## Mounting Options

Custom mounting types and ceiling transitions available; consult factory.  
Mounting and power feed locations will be added to approval drawings on request.



**Decorative Pendant Stem**

Please consult factory shop drawings for suspension points.

To prevent damage to fixtures, factory designated suspension points must not be field altered.

Do not attempt installation if you do not understand the installation instructions.