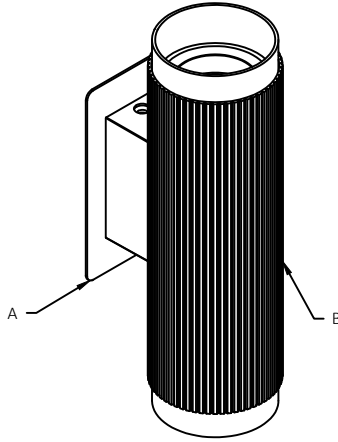


INSTALLATION GUIDE-WALL MOUNT

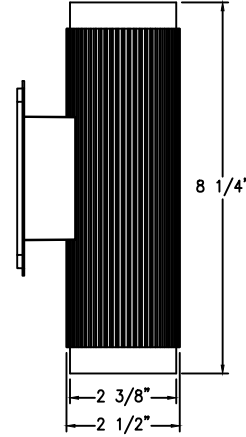


Risk of fire and electrical shock. In accordance with national local building and electrical codes, CORONET lighting fixtures must be installed by a qualified electrician. Disconnect power at electrical panel before servicing.

ISOMETRIC VIEW



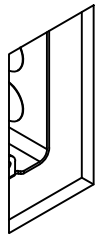
CROSS SECTION VIEW



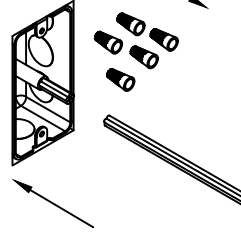
PART LIST

A-Wall Mount Bracket
B-Fixture

1

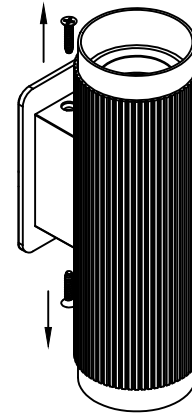


GREEN-GROUND
WHITE-NEUTRAL
BLACK-LINE
GRAY-0-10V DIMMABLE
PURPLE-0-10 V DIMMABLE



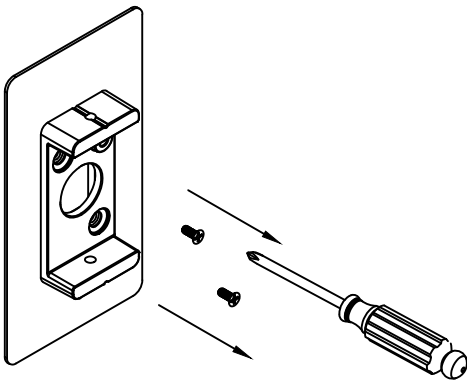
Cut a hole in the wall for a junction box and install it. Then make all necessary electrical connections.
Note: MUST USE A 2" X 4" JUNCTION BOX.

2



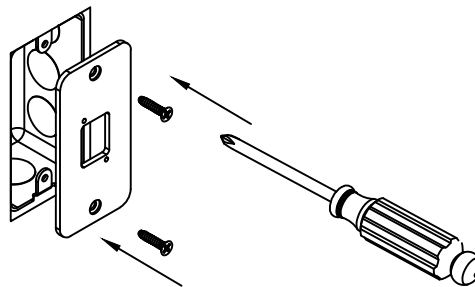
Remove the fixture from the wall mount bracket by removing the screw from the top and bottom.

3



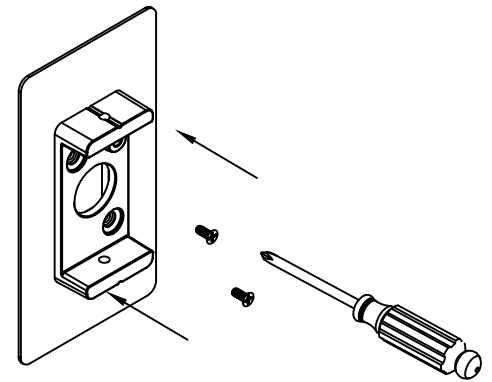
Remove the inner bracket and cover to the junction box by removing the screws.

4



Secure the wall bracket to the junction box with screws.
Note: Power cable not shown for clarity.

5



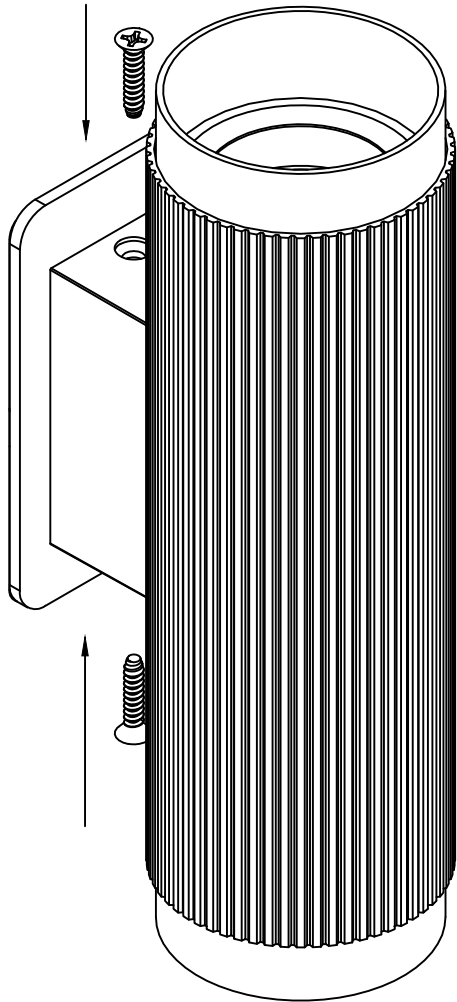
Secure the inner bracket and cover to the junction box using the screws from step 4.
Note: Power cable not shown for clarity.

NOTE: JUNCTION BOXES MUST BE SOLIDLY FIXED TO THE CEILING AND ATTACHED TO THE STRUCTURAL MEMBER INSIDE THE CEILING BEFORE PROCEEDING WITH INSTALLATION.



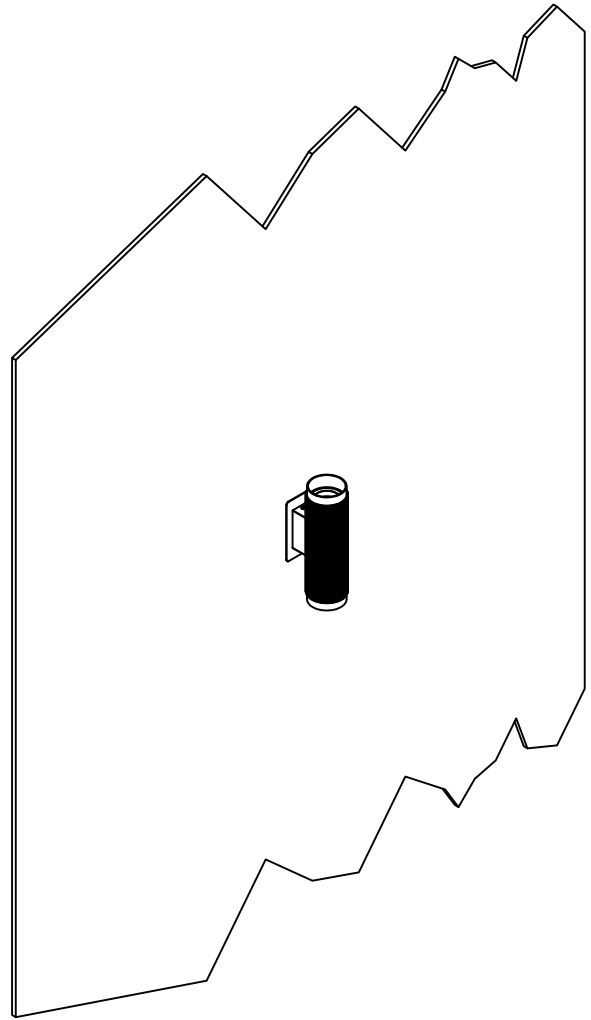
Risk of fire and electrical shock. In accordance with national local building and electrical codes, CORONET lighting fixtures must be installed by a qualified electrician. Disconnect power at electrical panel before servicing.

6



Secure the fixture to the wall mount bracket using the screws from step 3.

7



Power on the fixture to make sure everything functions properly.

GENERAL INSTALLATION CONSIDERATIONS - See submittal drawings for job specific data.

Operating Temperature.....	-40°C to 50°C
Operating Voltage.....	110VAC-277VAC, 50Hz-60Hz
Weight.....	lbs
Dimensions.....	See spec sheet

- Installation by a certified electrician only.
- Read and understand the installation instructions before attempting to install or use the fixture.
- Only use fixtures with voltage for which it is rated. Do not exceed the specified voltage and current input.
- Do not use the fixture if the housing, lens, or power cable is damaged.
- Ensure that the main power supply is off before installing or wiring the fixture.
- Method of wire connection to be determined by local electrical codes and regulations.
- The external flexible cable of this luminaire cannot be field replaced; if the cord is damaged, contact Coronet.
- The light source contained in this luminaire shall only be replaced by the lighting manufacturer or his service agent or a similar qualified person.

Please contact our technical support team for assistance.

NOTE: JUNCTION BOXES MUST BE SOLIDLY FIXED TO THE CEILING AND ATTACHED TO THE STRUCTURAL MEMBER INSIDE THE CEILING BEFORE PROCEEDING WITH INSTALLATION.