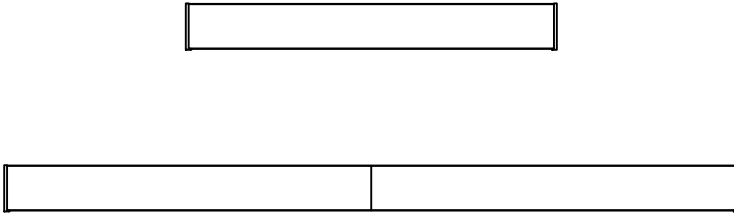


### INSTALLATION GUIDE-SURFACE MOUNT



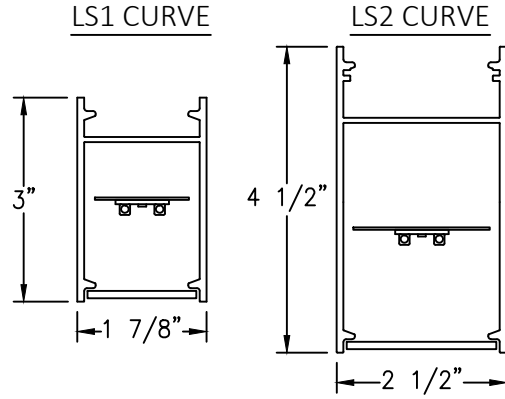
Risk of fire and electrical shock. In accordance with national local building and electrical codes, CORONET lighting fixtures must be installed by a qualified electrician. Disconnect power at electrical panel before servicing.

SIDE VIEW



PLEASE CONSULT FACTORY SHOP DRAWINGS FOR MOUNTING POINTS.

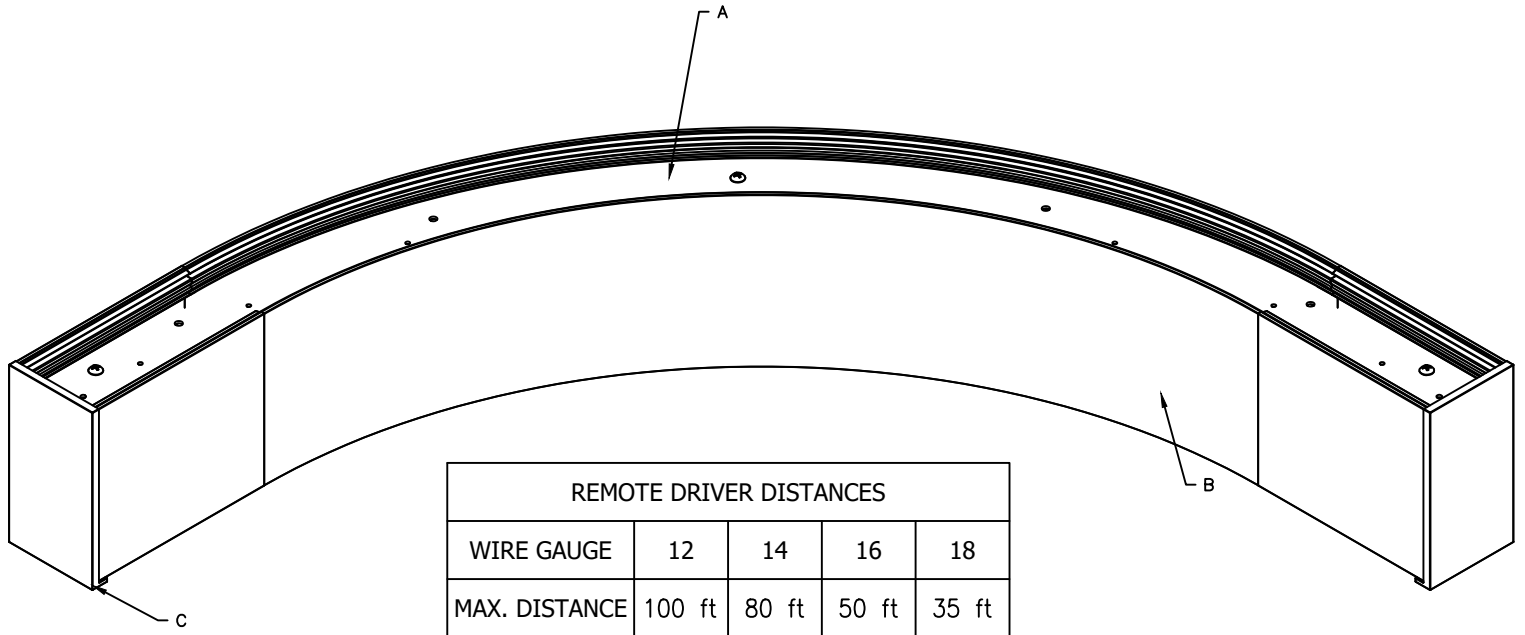
CROSS SECTION VIEW



PART LIST

- A-Top Tray
- B-Extrusion
- C-End Plate

ISOMETRIC VIEW



REMOTE DRIVER DISTANCES				
WIRE GAUGE	12	14	16	18
MAX. DISTANCE	100 ft	80 ft	50 ft	35 ft

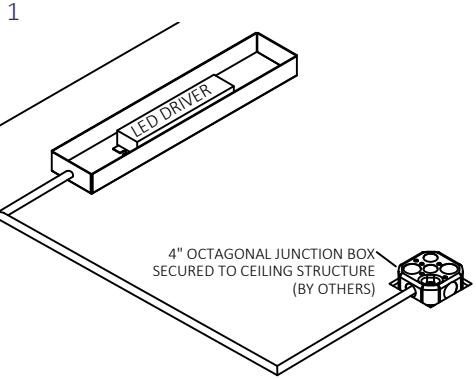
INDIVIDUAL FIXTURES ARE NOT INTENDED FOR CONTINUOUS RUNS.  
 ADDITIONAL SUPPORTS TO THE STRUCTURE MAY BE REQUIRED.  
 \*CHECK WITH YOUR LOCAL BUILDING CODE FOR THOSE REQUIREMENTS.

NOTE: JUNCTION BOXES MUST BE SOLIDLY FIXED TO THE CEILING AND ATTACHED TO THE STRUCTURAL MEMBER INSIDE THE CEILING BEFORE PROCEEDING WITH INSTALLATION.



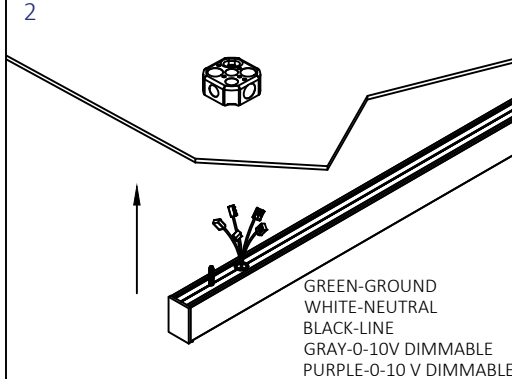
Risk of fire and electrical shock. In accordance with national local building and electrical codes, CORONET lighting fixtures must be installed by a qualified electrician. Disconnect power at electrical panel before servicing.

**NOTE: BEFORE BEGINNING INSTALLATION IT IS RECOMMENDED LAY PATTERN OUT ON THE FLOOR AND ALIGN SECTIONS TO CONNECT (SEE STEP 6). DO NOT SCREW IN BRACKETS. WITH THE PATTERN LAID OUT, USE A LASER TO SET MOUNTING POINTS/JUNCTION BOX LOCATIONS. ONCE COMPLETE, DISSASSEMBLE THE SECTIONS AND BEGIN INSTALLATION. DUE TO NATURAL TWIST OF CURVED SECTIONS SUSP. POINTS MAY VARY A FEW INCHES COMPARED TO SUBMITTALS.**

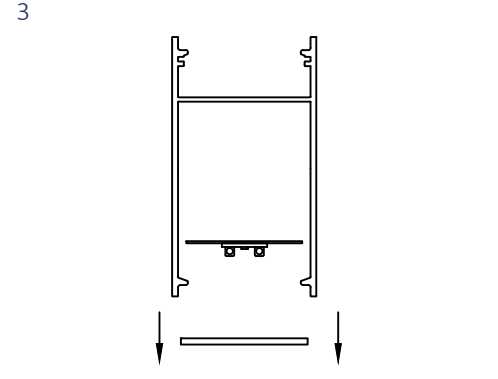


If you have a remote driver, install it above the ceiling and run conduit to the fixture. Refer to the remote driver box on page 1 for acceptable lengths of cable.

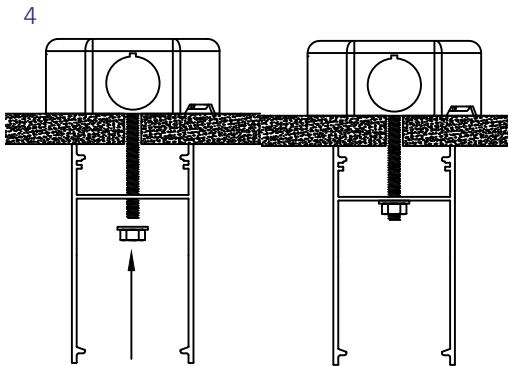
Note: Use whip or plenum cable (both by others) from the junction box to the remote box. If you have an integral driver, skip to step 2.



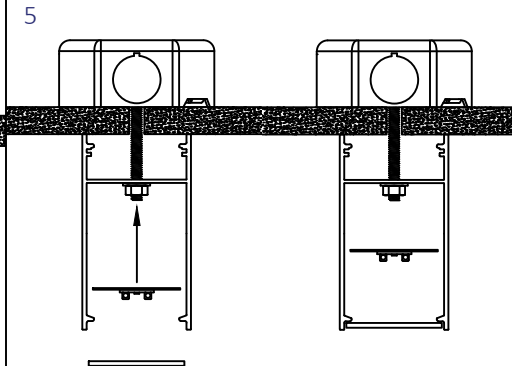
Before mounting the fixture to the ceiling, run the wires from the fixture to and through the junction box and make all electrical connections.



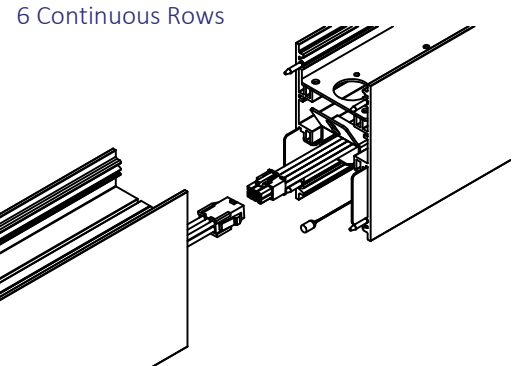
Remove the LED trays and lens to allow access for securing the fixture to the ceiling.



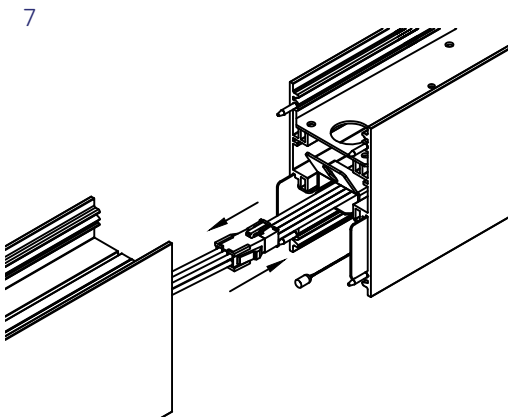
Secure the fixture to the ceiling using a threaded through the drilled out holes in the extrusion (straight section) or the welded reflector (curved section) (hardware by others).



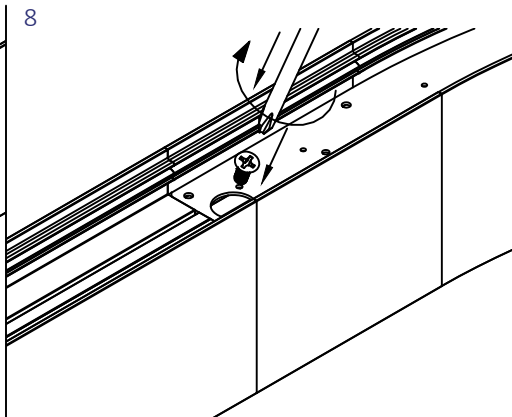
Reinstall the LED reflector and lens. Power on the fixture to make sure everything function properly.



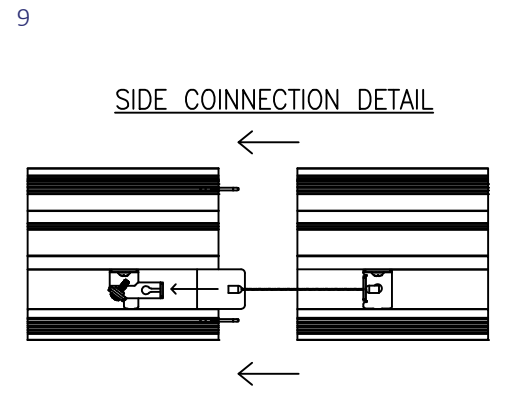
Before connecting each section, connect the wiring harness.



Align sections using the alignment pins and light shields.  
Warning: keep hands clear of connection.  
Slide the middle hanging bracket to allow access to connection.



Use the provided 1/4-20 flat head screw to secure the connecting brackets in the middle. As you screw it in, the fixture will securely connect together.  
Adjust tightness as needed at the very end.



Next, remove or slide the lens to access the bottom connection. Insert the dangling cable into the left handed connection bracket.

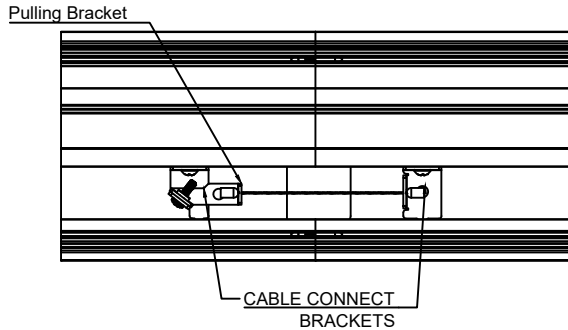
**NOTE: JUNCTION BOXES MUST BE SOLIDLY FIXED TO THE CEILING AND ATTACHED TO THE STRUCTURAL MEMBER INSIDE THE CEILING BEFORE PROCEEDING WITH INSTALLATION.**



Risk of fire and electrical shock. In accordance with national local building and electrical codes, CORONET lighting fixtures must be installed by a qualified electrician. Disconnect power at electrical panel before servicing.

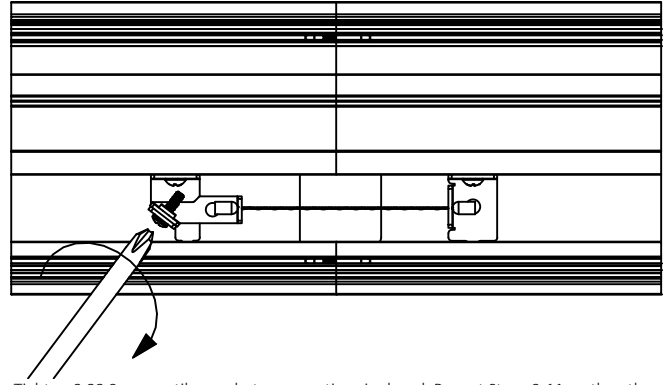
10

### SIDE CONNECTION DETAIL



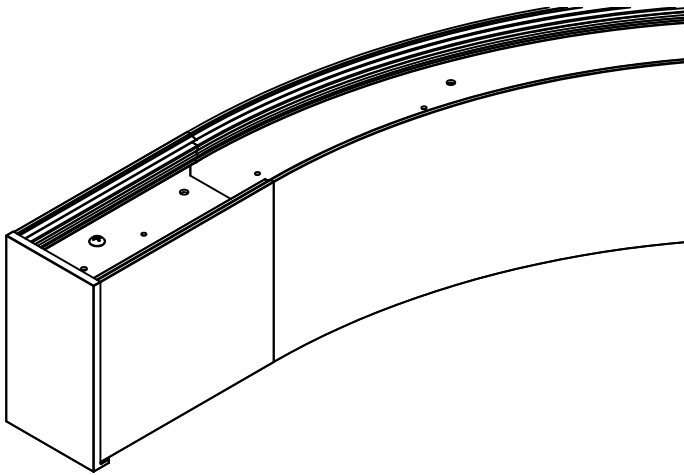
The bottom connection should look as follows. Note: Pull cable and ensure it is tight as it enters the pulling bracket. If needed, brackets can be moved by removing the screws and sliding the brackets along the channel as necessary.

11



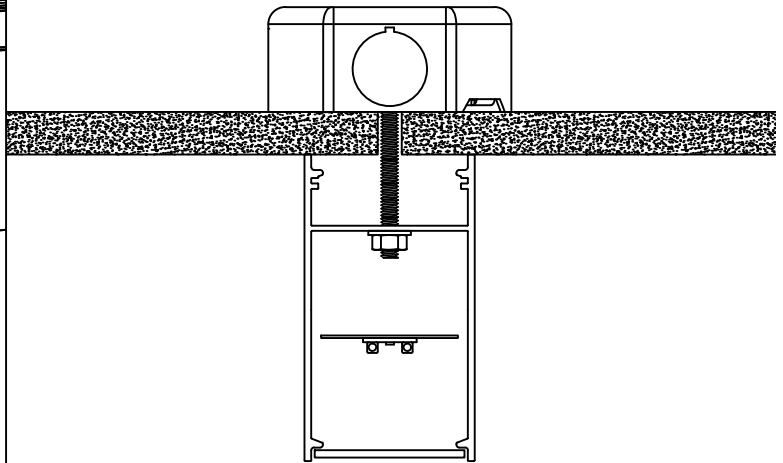
Tighten 6-32 Screw until seam between sections is closed. Repeat Steps 9-11 on the other side of the connection.

12



Repeat Steps 6-11 for all connections between sections. Tighten or loosen connections as needed to eliminate any openings between connections and create a tight seam.

13



Repeat steps 1-5 to mount the pattern to the ceiling. You will need multiple people to perform this procedure.

### GENERAL INSTALLATION CONSIDERATIONS - See submittal drawings for job specific data.

Operating Temperature.....-40°C to 50°C  
 Operating Voltage.....110VAC-277VAC, 50Hz-60Hz  
 Weight.....lb/ft  
 Dimensions.....See submittal drawings

- Installation by a certified electrician only.
- Read and understand the installation instructions before attempting to install or use the fixture.
- Only use fixtures with voltage for which it is rated. Do not exceed the specified voltage and current input.
- Do not use the fixture if the housing, lens, or power cable is damaged.
- Ensure that the main power supply is off before installing or wiring the fixture.
- Method of wire connection to be determined by local electrical codes and regulations.
- The external flexible cable of this luminaire cannot be field replaced; if the cord is damaged, contact Coronet.
- The light source contained in this luminaire shall only be replaced by the lighting manufacturer or his service agent or a similar qualified person.

Please contact our technical support team for assistance.

NOTE: JUNCTION BOXES MUST BE SOLIDLY FIXED TO THE CEILING AND ATTACHED TO THE STRUCTURAL MEMBER INSIDE THE CEILING BEFORE PROCEEDING WITH INSTALLATION.