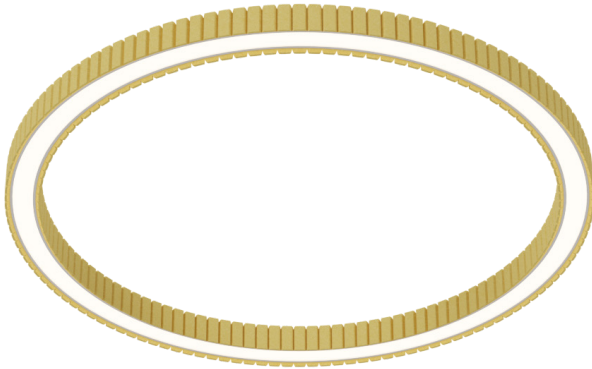


Ring 5ft STFU WRP direct



For noise reduction and architectural lighting in one, the STFU series offers a wide range of acoustic felt colors, shapes, profiles, and mounting options.

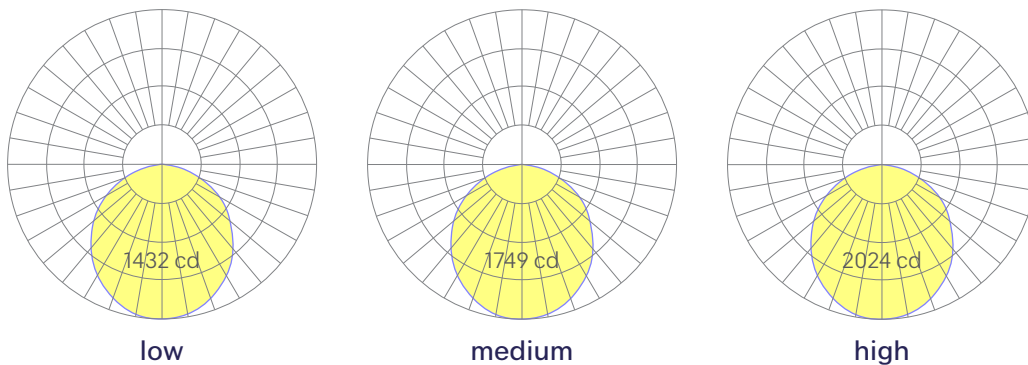
Features

- 24 specifiable colors of recycled PET acoustic felt
- Noise Reduction Coefficient of .75 with a Class-A fire rating
- Fire Spread Index of 0 & Smoke Development Index of 200
- Rolled extruded aluminum
- Aluminum core LED boards, specifiable optics
- Specifiable color temperature. CRI > 90, R9 > 50
- Specifiable, dimmable drivers or PoE
- 5 Year, 50,000 hour warranty, damp location rated
- WELL Building Standard compatible [learn more](#)

Dimensions



Optics



Representative distribution and peak candela. For other options see order information or IES files [here](#).

Ring 5ft STFU WRP direct

Ordering Information

For each option group below specify one option. If you don't see your preferred option listed, contact us for [help](#).

1 Fixture ID	2 Length	3 Color Temperature	4 Output																
RING.STFU.WRP.5	5 5 ft nominal diameter	27 2700K/90 CRI 30 3000K/90 CRI 35 3500K/90 CRI 40 4000K/90 CRI RGBW30 RGB +white; 3000k Must use remote DMX driver. RGBW35 RGB +white; 3500k Must use remote DMX driver. RGBW40 RGB +white; 4000k Must use remote DMX driver.	LOW Low output MED Medium output HIGH High output CUST Custom output Specify watts or lumens.																
5 Voltage	6 Driver	7 Housing Finish	8 Felt Finish																
UNV Universal (120/277V) 347V 347V	DB Standard 0-10V 1% DB.1% 0-10V 0.1% PoE Power over ethernet ELV Reverse phase 1% (120V only) TRI Forward phase JA8 JA8 compliant 1% dimming DALI DALI-2 driver DMX DMX512 All DMX drivers set to default address 001 and provided in remote enclosures. Contact us for other addressing needs.	W White BLK Black CC Custom color See finish options here SLV Silver	FW White felt FBLK Black felt FGRY Grey felt F/ Any available felt color See options on page 4																
9 Felt Height	10 Mounting	11 Optics	12 Sensors/Controls																
FH6 6 inch felt height FH8 8 inch felt height FH4 4 inches FH Custom felt height	AC.CENT Central canopy 50 in. steel cable provided; White canopies & power cord. AC.MULT Individual suspension points 50 in. steel cable provided; White canopies & power cord. SM Surface Mount	SD Standard diffuser	NA None ACM Acuity nLight- module only CCS Casambi module AWNR Lutron Athena wireless node OTHER Consult factory																
13 Circuit	14 Options	<h2>Performance</h2>																	
NA None EMPCK Emergency battery pack EMCKT Emergency circuit May require additional power feeds. DAYCKT Daylight circuit May require additional power feeds.	NA None STD White canopy/cord/stem CAN.X Canopy + color See finish options here SJ.BLK Black cord SJ.WHT White cord	<table border="1"> <thead> <tr> <th>Output¹</th> <th>Watts</th> <th>Lumens</th> <th>LPW</th> </tr> </thead> <tbody> <tr> <td>Low</td> <td>62</td> <td>4056</td> <td>65</td> </tr> <tr> <td>Medium</td> <td>81</td> <td>5273</td> <td>65</td> </tr> <tr> <td>High</td> <td>100</td> <td>6490</td> <td>65</td> </tr> </tbody> </table>		Output ¹	Watts	Lumens	LPW	Low	62	4056	65	Medium	81	5273	65	High	100	6490	65
Output ¹	Watts	Lumens	LPW																
Low	62	4056	65																
Medium	81	5273	65																
High	100	6490	65																

¹Based on a typically configured 90 CRI, 3500K luminaire using one driver. Custom outputs available. Please consult factory. For 4000K multiply by 1.05; for 3000K, 0.9; for 2700K, 0.92. For Warm Dim multiply by 80.



Wiring diagrams, PoE and sensor details
Click or Scan

Ring 5ft STFU WRP direct

Drivers & Electrical

Remote, dimmable drivers are supplied in enclosures.
For remote driver box sizes, click [here](#).

Emergency Back-Up

Emergency, battery-powered drivers are available. Emergency circuits for use with building generators are also available.

PoE (Power over Ethernet)

Compatible with virtually all PoE systems including Molex Coresync, Igor, Smartengine, Platformatics, and NuLED SPICEbox.

Consult factory for systems not listed. See [here](#) for more info.

Weight

15 lbs

Optics

Laser-cut, cast, high-transmission acrylic lens with no LED imaging.

Construction

Rolled extruded aluminum.

Finishes

All luminaires are finished in high quality polyester powder coating. Acoustic material is made of post-consumer recycled PET felt.

Ring 5ft STFU WRP direct

Acoustic Felt Colors



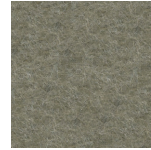
White



Marbled Grey



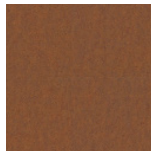
Taupe



Dark Khaki



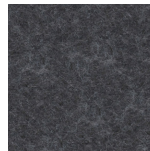
Stone



Spice



Mocha



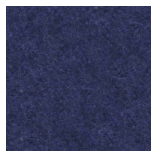
Grey



Charcoal



Black



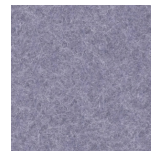
Sailor Blue



True Blue



Sky Blue



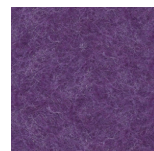
Periwinkle



Pink Panther



Purple Orchid



Violet



Maroon



Red Rose



Pumpkin



Sunshine



Lime

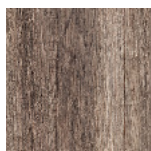


Emerald

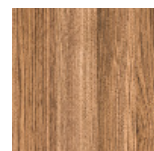


Sage

Acoustic Felt Wood Grain



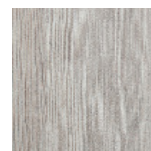
Weathered Oak



Chestnut



Oak



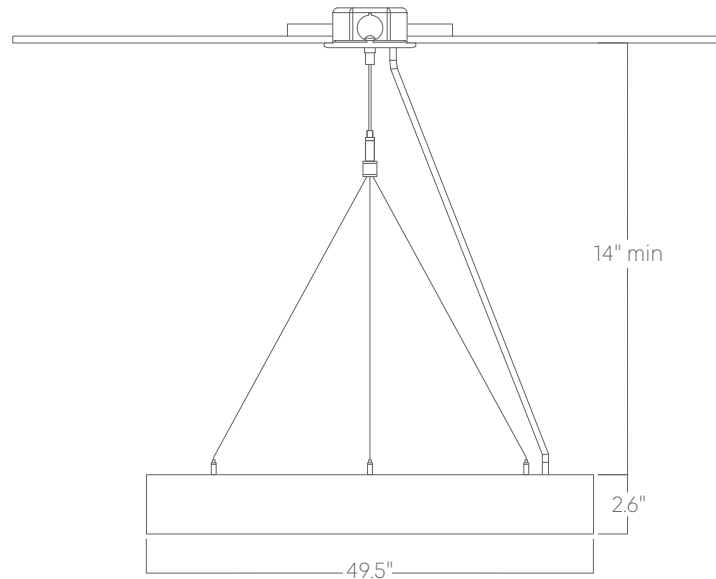
Light Teak

Please note that colors may vary depending on screen settings. For an accurate representation, please request a sample.

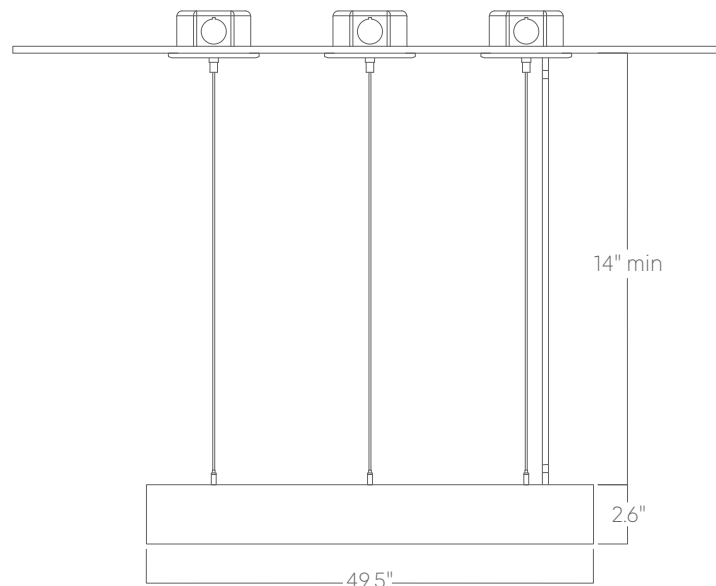
Ring 5ft STFU WRP direct

Mounting Options

Custom mounting types and ceiling transitions available; consult factory.
Mounting and power feed locations will be added to approval drawings on request.



Aircraft cable (Single canopy at the center)



Aircraft cable (individual susp. points)

Please consult factory shop drawings for suspension points.

To prevent damage to fixtures, factory designated suspension points must not be field altered.

Do not attempt installation if you do not understand the installation instructions.