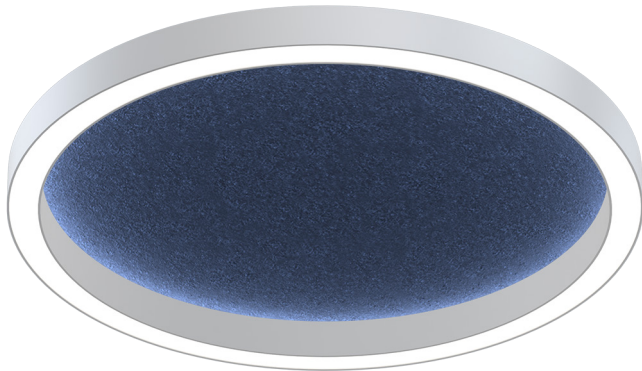


# Ring 3ft STFU top direct

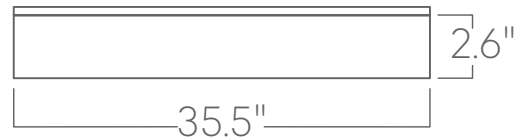


For noise reduction and architectural lighting in one, the STFU series offers a wide range of acoustic felt colors, shapes, profiles, and mounting options.

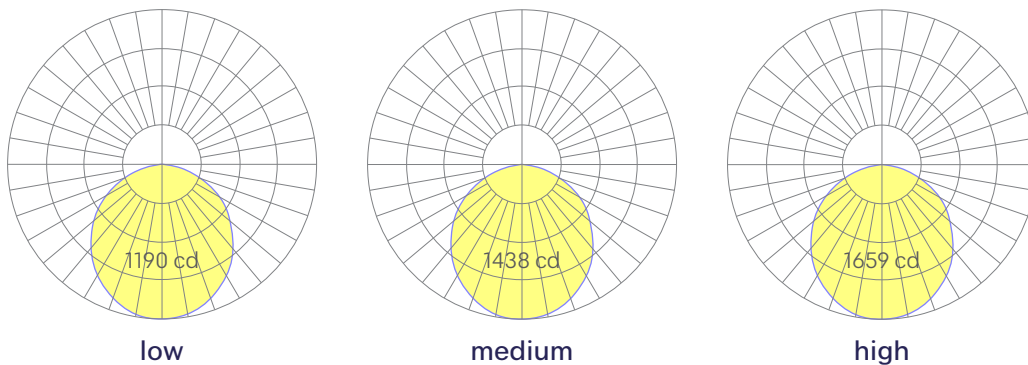
## Features

- 24 specifiable colors of recycled PET acoustic felt
- Noise Reduction Coefficient of .75 with a Class-A fire rating
- Fire Spread Index of 0 & Smoke Development Index of 200
- Rolled extruded aluminum
- Aluminum core LED boards, specifiable optics
- Specifiable color temperature. CRI > 90, R9 > 50
- Specifiable, dimmable drivers or PoE
- 5 Year, 50,000 hour warranty, damp location rated
- WELL Building Standard compatible [learn more](#)

## Dimensions



## Optics



Representative distribution and peak candela. For other options see order information or IES files [here](#).

# Ring 3ft STFU top direct

## Ordering Information

For each option group below specify one option. If you don't see your preferred option listed, contact us for [help](#).

1 Fixture ID	2 Length	3 Color Temperature	4 Output																
<b>RING.STFU.TP.3</b>	<b>3</b> 3 ft nominal diameter	<b>27</b> 2700K/90 CRI <b>30</b> 3000K/90 CRI <b>35</b> 3500K/90 CRI <b>40</b> 4000K/90 CRI <b>RGBW30</b> RGB +white; 3000k <small>Must use remote DMX driver.</small> <b>RGBW35</b> RGB +white; 3500k <small>Must use remote DMX driver.</small> <b>RGBW40</b> RGB +white; 4000k <small>Must use remote DMX driver.</small>	<b>LOW</b> Low output <b>MED</b> Medium output <b>HIGH</b> High output <b>CUST</b> Custom output <small>Specify watts or lumens.</small>																
5 Voltage	6 Driver	7 Housing Finish	8 Felt Finish																
<b>UNV</b> Universal (120/277V) <b>347V</b> 347V	<b>DB</b> Standard 0-10V 1% <b>DB.1%</b> 0-10V 0.1% <b>PoE</b> Power over ethernet <b>ELV</b> Reverse phase 1% (120V only) <b>TRI</b> Forward phase <b>JA8</b> JA8 compliant 1% dimming <b>DALI</b> DALI-2 driver <b>DMX</b> DMX512 <small>All DMX drivers set to default address 001 and provided in remote enclosures. Contact us for other addressing needs.</small>	<b>W</b> White <b>BLK</b> Black <b>CC</b> Custom color <small><a href="#">See finish options here</a></small> <b>SLV</b> Silver	<b>FW</b> White felt <b>FBLK</b> Black felt <b>FGRY</b> Grey felt <b>F/</b> Any available felt color <small>See options on page 4</small>																
9 Mounting	10 Optics	11 Sensors/Controls	12 Circuit																
<b>AC.CENT</b> Central canopy <small>50 in. steel cable provided; White canopies &amp; power cord.</small> <b>AC.MULT</b> Individual suspension points <small>50 in. steel cable provided; White canopies &amp; power cord.</small>	<b>SD</b> Standard diffuser	<b>NA</b> None <b>ACM</b> Acuity nLight- module only <b>CCS</b> Casambi module <b>AWNR</b> Lutron Athena wireless node <b>OTHER</b> Consult factory	<b>NA</b> None <b>EMPCK</b> Emergency battery pack <b>EMCKT</b> Emergency circuit <small>May require additional power feeds.</small> <b>DAYCKT</b> Daylight circuit <small>May require additional power feeds.</small>																
13 Options	<h3>Performance</h3> <table border="1"> <thead> <tr> <th>Output<sup>1</sup></th> <th>Watts</th> <th>Lumens</th> <th>LPW</th> </tr> </thead> <tbody> <tr> <td>Low</td> <td>45</td> <td>3270</td> <td>73</td> </tr> <tr> <td>Medium</td> <td>58</td> <td>4252</td> <td>73</td> </tr> <tr> <td>High</td> <td>72</td> <td>5233</td> <td>73</td> </tr> </tbody> </table> <p><small><sup>1</sup>Based on a typically configured 90 CRI, 3500K luminaire using one driver. Custom outputs available. Please consult factory. For 4000K multiply by 1.05; for 3000K, 0.9%; for 2700K, 0.92. For Warm Dim multiply by .80.</small></p>  <p><small>Wiring diagrams, PoE and sensor details Click or Scan</small></p>			Output <sup>1</sup>	Watts	Lumens	LPW	Low	45	3270	73	Medium	58	4252	73	High	72	5233	73
Output <sup>1</sup>	Watts	Lumens	LPW																
Low	45	3270	73																
Medium	58	4252	73																
High	72	5233	73																
<b>NA</b> None <b>STD</b> White canopy/cord/stem <b>CAN.X</b> Canopy + color <small><a href="#">See finish options here</a></small> <b>SJ.BLK</b> Black cord <b>SJ.WHT</b> White cord																			

# Ring 3ft STFU top direct

## Drivers & Electrical

Remote, dimmable drivers are supplied in enclosures.  
For remote driver box sizes, click [here](#).

## Emergency Back-Up

Emergency, battery-powered drivers are available. Emergency circuits for use with building generators are also available.

## PoE (Power over Ethernet)

Compatible with virtually all PoE systems including Molex Coresync, Igor, Smartengine, Platformatics, and NuLED SPICEbox.

Consult factory for systems not listed. See [here](#) for more info.

## Weight

5 lbs

## Optics

Laser-cut, cast, high-transmission acrylic lens with no LED imaging.

## Construction

Rolled extruded aluminum.

## Finishes

All luminaires are finished in high quality polyester powder coating. Acoustic material is made of post-consumer recycled PET felt.

# Ring 3ft STFU top direct

## Acoustic Felt Colors



White



Marbled Grey



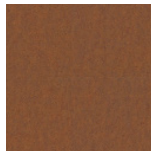
Taupe



Dark Khaki



Stone



Spice



Mocha



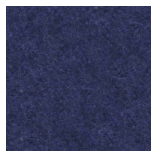
Grey



Charcoal



Black



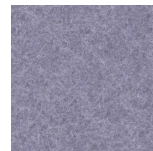
Sailor Blue



True Blue



Sky Blue



Periwinkle



Pink Panther



Purple Orchid



Violet



Maroon



Red Rose



Pumpkin



Sunshine



Lime

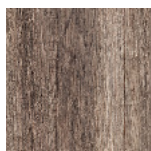


Emerald

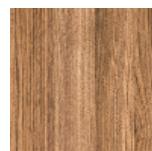


Sage

## Acoustic Felt Wood Grain



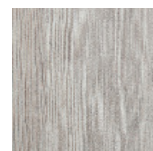
Weathered Oak



Chestnut



Oak



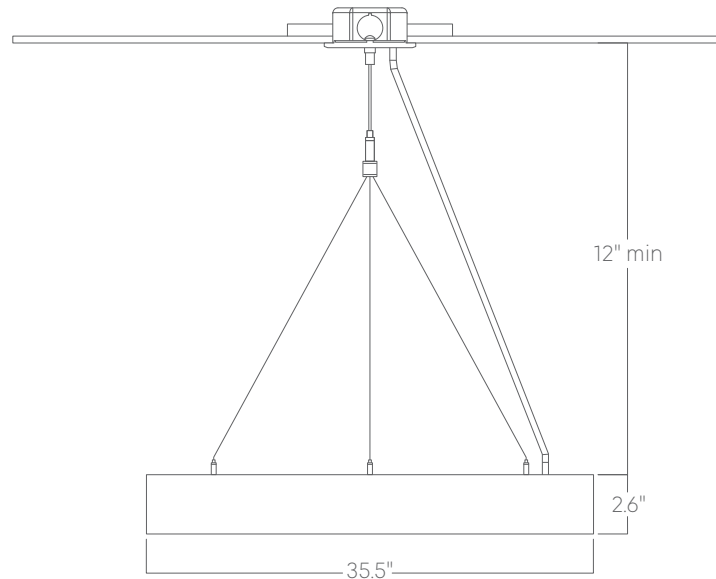
Light Teak

Please note that colors may vary depending on screen settings. For an accurate representation, please request a sample.

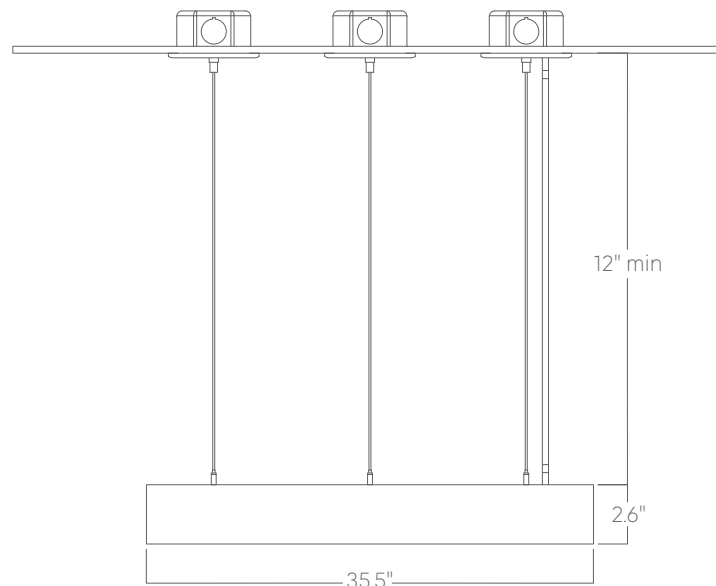
# Ring 3ft STFU top direct

## Mounting Options

Custom mounting types and ceiling transitions available; consult factory.  
Mounting and power feed locations will be added to approval drawings on request.



**Aircraft cable (Single canopy at the center)**



**Aircraft cable (individual susp. points)**

Please consult factory shop drawings for suspension points.

To prevent damage to fixtures, factory designated suspension points must not be field altered.

Do not attempt installation if you do not understand the installation instructions.