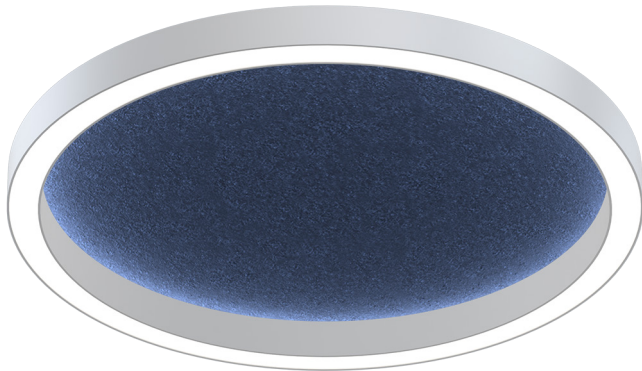


Ring 2ft STFU Top direct

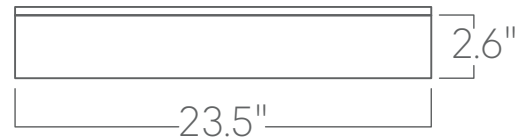


For noise reduction and architectural lighting in one, the STFU series offers a wide range of acoustic felt colors, shapes, profiles, and mounting options.

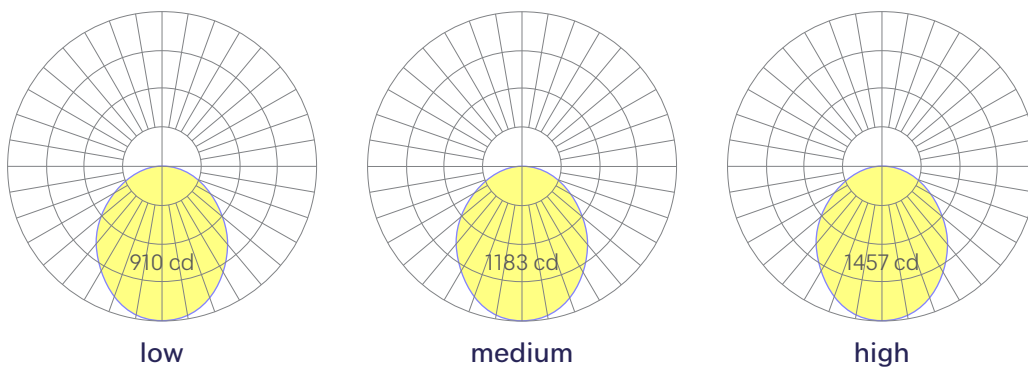
Features

- 24 specifiable colors of recycled PET acoustic felt
- Noise Reduction Coefficient of .75 with a Class-A fire rating
- Fire Spread Index of 0 & Smoke Development Index of 200
- Rolled extruded aluminum
- Aluminum core LED boards, specifiable optics
- Specifiable color temperature. CRI > 90, R9 > 50
- Specifiable, dimmable drivers or PoE
- 5 Year, 50,000 hour warranty, damp location rated
- WELL Building Standard compatible [learn more](#)

Dimensions



Optics




Representative distribution and peak candela. For other options see order information or IES files [here](#).

Ring 2ft STFU Top direct

Ordering Information

For each option group below specify one option. If you don't see your preferred option listed, contact us for [help](#).

1 Fixture ID	2 Length	3 Color Temperature	4 Output																
RING.STFU.TP.2	2 2 ft nominal diameter	27 2700K/90 CRI 30 3000K/90 CRI 35 3500K/90 CRI 40 4000K/90 CRI RGBW30 RGB +white; 3000k Must use remote DMX driver. RGBW35 RGB +white; 3500k Must use remote DMX driver. RGBW40 RGB +white; 4000k Must use remote DMX driver.	LOW Low output MED Medium output HIGH High output CUST Custom output Specify watts or lumens.																
5 Voltage	6 Driver	7 Housing Finish	8 Felt Finish																
UNV Universal (120/277V) 347V 347V	DB Standard 0-10V 1% PoE Power over ethernet DMX DMX512 All DMX drivers set to default address 001 and provided in remote enclosers. Contact us for other addressing needs. JA8 JA8 compliant 1% dimming	W White BLK Black CC Custom color See finish options here SLV Silver	FW White felt FBLK Black felt FGRY Grey felt F/ Any available felt color See options on page 4																
9 Mounting	10 Optics	11 Sensors/Controls	12 Circuit																
AC.CENT Central canopy 50 in. steel cable provided; White canopies & power cord. AC.MULT Individual suspension points 50 in. steel cable provided; White canopies & power cord.	SD Standard diffuser	NA None ACM Acuity nLight- module only CCS Casambi module AWNRR Lutron Athena wireless node OTHER Consult factory	NA None EMPCK Emergency battery pack EMCKT Emergency circuit May require additional power feeds. DAYCKT Daylight circuit May require additional power feeds.																
13 Options	<h3>Performance</h3> <table border="1"> <thead> <tr> <th>Output¹</th> <th>Watts</th> <th>Lumens</th> <th>LPW</th> </tr> </thead> <tbody> <tr> <td>Low</td> <td>30</td> <td>2353</td> <td>78</td> </tr> <tr> <td>Medium</td> <td>38</td> <td>3059</td> <td>81</td> </tr> <tr> <td>High</td> <td>47</td> <td>3765</td> <td>80</td> </tr> </tbody> </table> <p>¹Based on a typically configured 90 CRI, 3500K luminaire using one driver. Custom outputs available. Please consult factory. For 4000K multiply by 1.05; for 3000K, 0.9%; for 2700K, 0.92. For Warm Dim multiply by .80.</p>  <p>Wiring diagrams, PoE and sensor details Click or Scan</p>			Output ¹	Watts	Lumens	LPW	Low	30	2353	78	Medium	38	3059	81	High	47	3765	80
Output ¹	Watts	Lumens	LPW																
Low	30	2353	78																
Medium	38	3059	81																
High	47	3765	80																
NA None STD White canopy/cord/stem CAN.X Canopy + color See finish options here SJ.BLK Black cord SJ.WHT White cord																			

Ring 2ft STFU Top direct

Drivers & Electrical

Remote, dimmable drivers are supplied in enclosures.
For remote driver box sizes, click [here](#).

Emergency Back-Up

Emergency, battery-powered drivers are available. Emergency circuits for use with building generators are also available.

PoE (Power over Ethernet)

Compatible with virtually all PoE systems including Molex Coresync, Igor, Smartengine, Platformatics, and NuLED SPICEbox.

Consult factory for systems not listed. See [here](#) for more info.

Weight

10 lbs

Optics

Laser-cut, cast, high-transmission acrylic lens with no LED imaging.

Construction

Rolled extruded aluminum.

Finishes

All luminaires are finished in high quality polyester powder coating. Acoustic material is made of post-consumer recycled PET felt.

Ring 2ft STFU Top direct

Acoustic Felt Colors



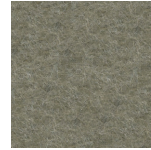
White



Marbled Grey



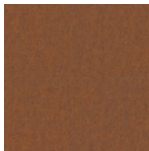
Taupe



Dark Khaki



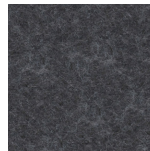
Stone



Spice



Mocha



Grey



Charcoal



Black



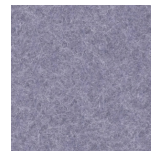
Sailor Blue



True Blue



Sky Blue



Periwinkle



Pink Panther



Purple Orchid



Violet



Maroon



Red Rose



Pumpkin



Sunshine



Lime

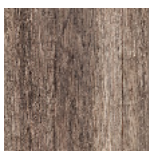


Emerald

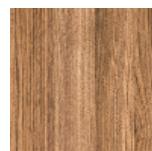


Sage

Acoustic Felt Wood Grain



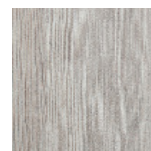
Weathered Oak



Chestnut



Oak



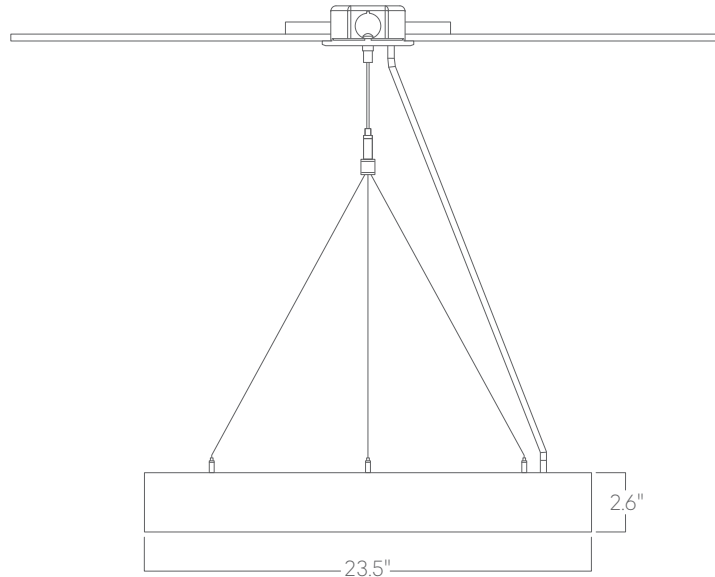
Light Teak

Please note that colors may vary depending on screen settings. For an accurate representation, please request a sample.

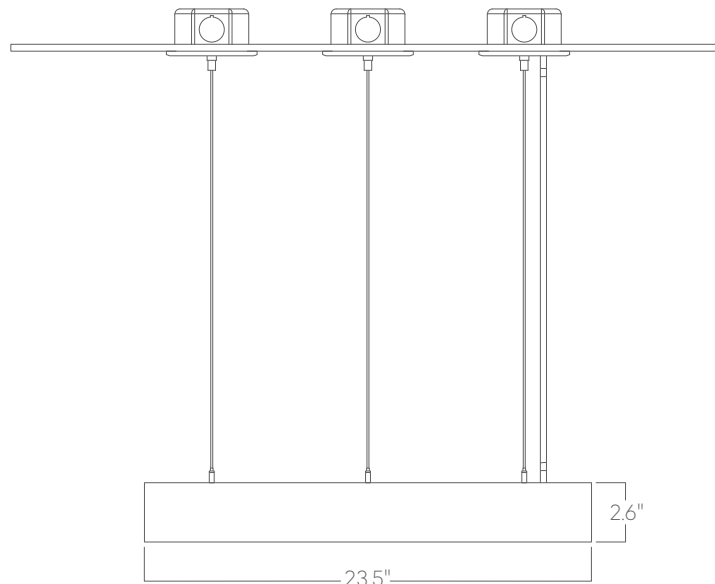
Ring 2ft STFU Top direct

Mounting Options

Custom mounting types and ceiling transitions available; consult factory.
Mounting and power feed locations will be added to approval drawings on request.



Aircraft cable (Single canopy at the center)



Aircraft cable (individual susp. points)

Please consult factory shop drawings for suspension points.

To prevent damage to fixtures, factory designated suspension points must not be field altered.

Do not attempt installation if you do not understand the installation instructions.