

Taskbar 2

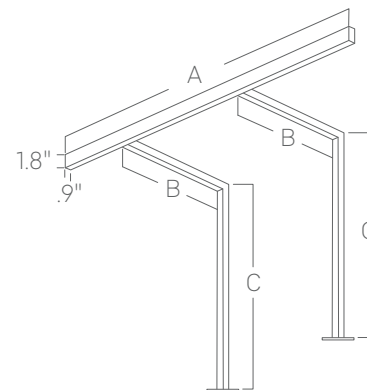


A member of the Rush Series of luminaires, Taskbar utilizes TIR optics and a minimalist aesthetic to provide customizable and glare-free task illumination.

Features

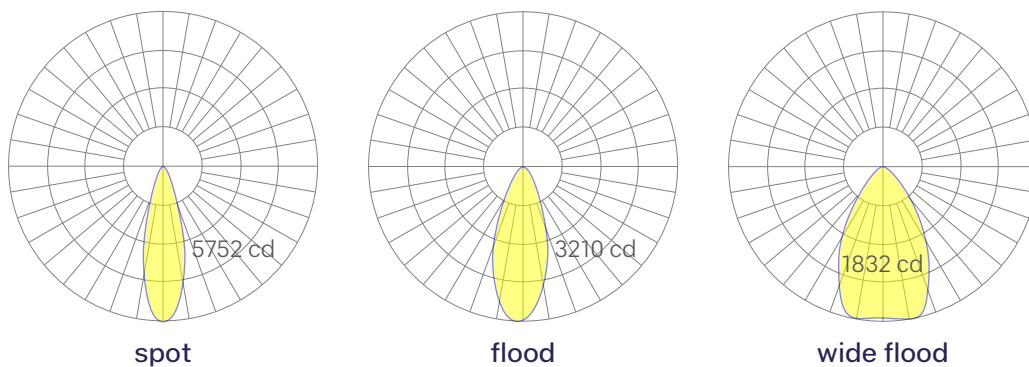
- Specifiable fixture and arm lengths
- Integrated on/off/dimming control
- Extruded recycled aluminum fixture housing
- Welded aluminum arms
- Aluminum core LED boards, specifiable output
- Specifiable color temperature. CRI > 90, R9 > 50
- Custom finishes available
- Remote dimmable drivers
- 5 Year, 50,000 hour warranty, damp location rated
- WELL Building Standard compatible [learn more](#)

Dimensions



Arms are 1" square tube.
Dimensions A,B, & C are specifiable.

Optics



Representative distribution and peak candela. For other options see order information or IES files [here](#).

Taskbar 2

Ordering Information

For each option group below specify one option. If you don't see your preferred option listed, contact us for [help](#).

| 1 | Fixture ID | 2 | Configuration/Length | 3 | Color Temperature | 4 | Output |
|---|---|----|--|----|--|----|--|
| | RUSH.TB2 | | Fixture Length (A) X'X" Specify Length Maximum 4ft. Horizontal Arm (B) X'X" Specify Length Maximum 36". Vertical Arm (C) X'X" Specify Length Maximum 48". | | 27 2700K/90 CRI 30 3000K/90 CRI 35 3500K/90 CRI 40 4000K/90 CRI | | LOW Low output MED Medium output HIGH High output CUST Custom output Specify watts or lumens |
| 5 | Voltage | 6 | Driver | 7 | Finish | 8 | Mounting |
| | UNV Universal (120/277V) | | DB Standard 0-10V 1% DB.1% 0-10V 0.1% | | Housing W White BLK Black CC Custom Color See finish options here . Louver W White BLK Black | | GM Grommet Mount |
| 9 | Optics | 10 | Sensors/Controls | 11 | Circuit | 12 | Options |
| | SP 24° Beam FL 36° Beam WFL 55° Beam | | NA None | | NA None | | NA None |

Performance

| Output ¹ | Watts/ft | Lumens/ft |
|---------------------|----------|-----------|
| Low | 4 | 312 |
| Medium | 6 | 469 |
| High | 8 | 625 |

¹Based on a typically configured 90 CRI, 3500K luminaire using one driver. Custom outputs available. Please consult factory. For 4000K multiply by 1.05, for 3000K, 0.9%, for 2700K, 0.92.

Technical Information



click [here](#) or scan QR code

Wiring diagrams, PoE and sensor details

Taskbar 2

Drivers & Electrical

Remote, dimmable drivers are supplied in enclosures.
For remote driver box sizes, click [here](#).

Finishes

All luminaires are finished in high quality polyester powder coating. Our standard color is white. Any RAL color may be specified.

Weight

1 lb per foot

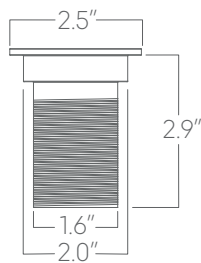
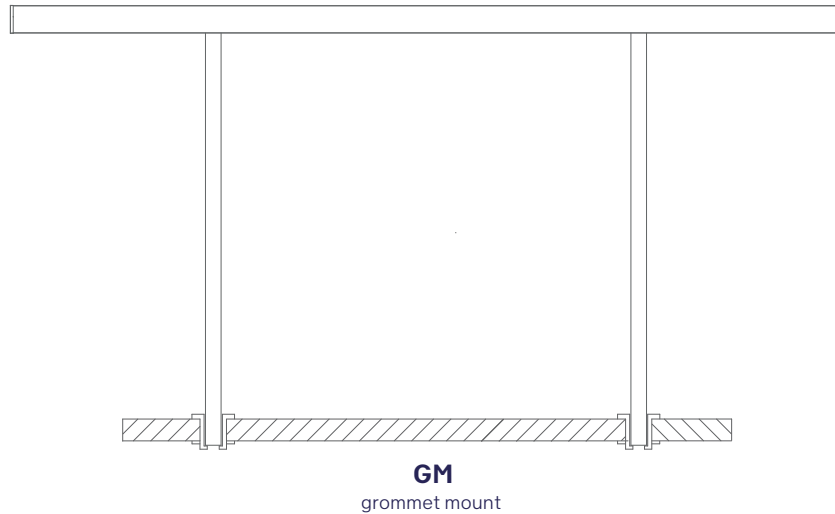
Mounting

Optics

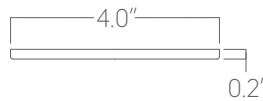
Glare-free, beam-controlling TIR optics.

Construction

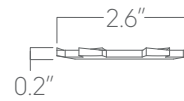
Extruded, recycled aluminum housing with formed cast ends. Arms are welded steel.



Grommet



Washer



Locknut