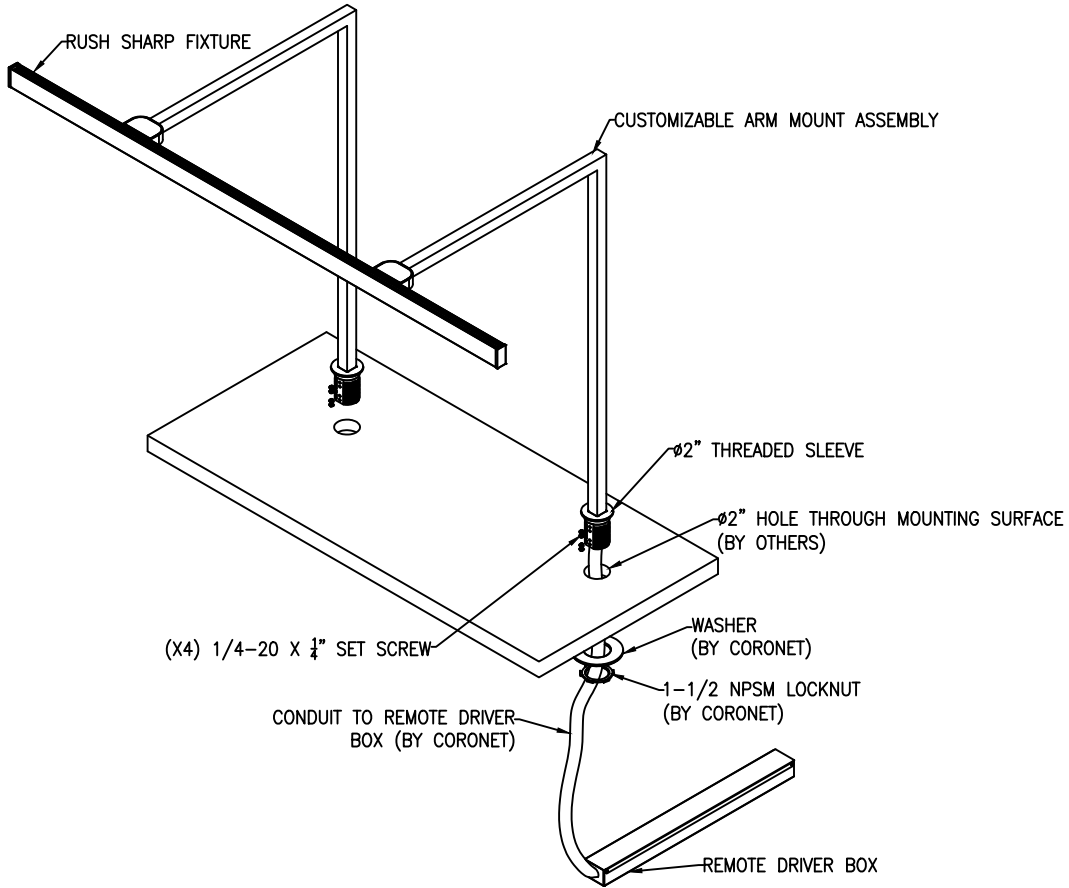


INSTALLATION GUIDE-GROMMET

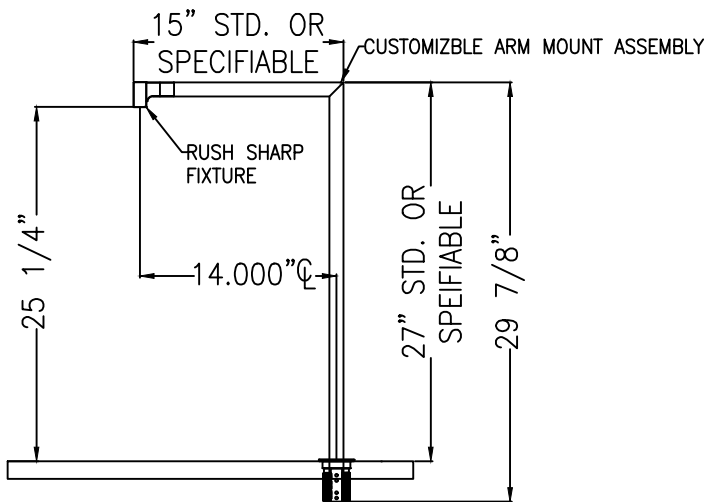


Risk of fire and electrical shock. In accordance with national local building and electrical codes, CORONET lighting fixtures must be installed by a qualified electrician. Disconnect power at electrical panel before servicing.

ISOMETRIC VIEW

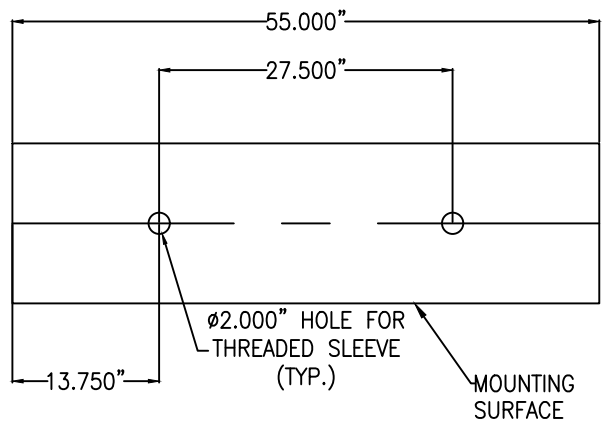


SIDE VIEW



MOUNTING DIMENSIONS

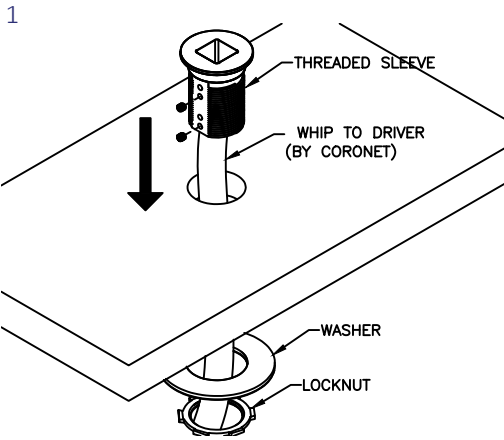
2 ARM DESK MOUNT



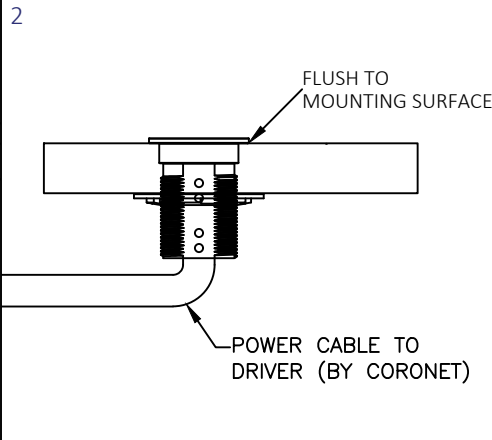
INSTALLATION GUIDE-GROMMET



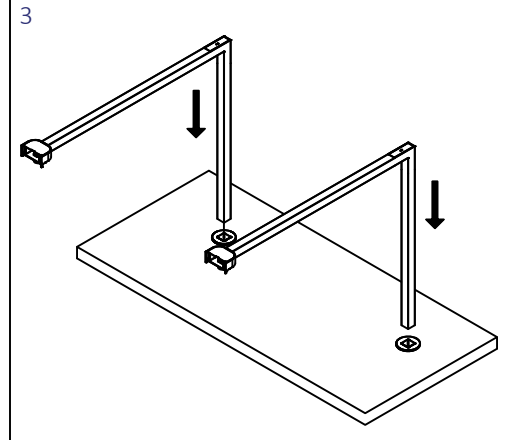
Risk of fire and electrical shock. In accordance with national local building and electrical codes, CORONET lighting fixtures must be installed by a qualified electrician. Disconnect power at electrical panel before servicing.



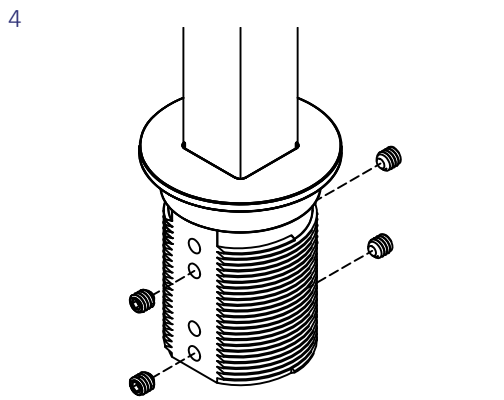
Drill a 2" hole through the mounting surface. Insert the whip & threaded sleeve into the predrilled hole and secure using the accompanying washer & locknut.



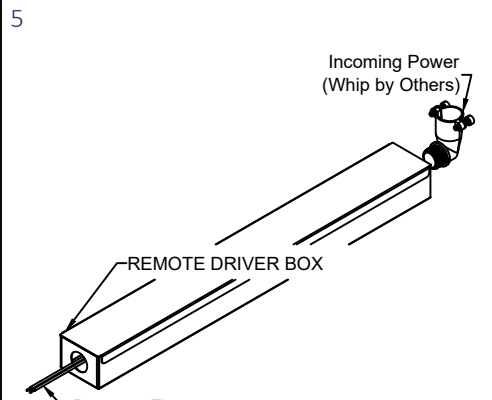
Ensure that the assembly remains flush to the mounting surface and the sleeve is secure.



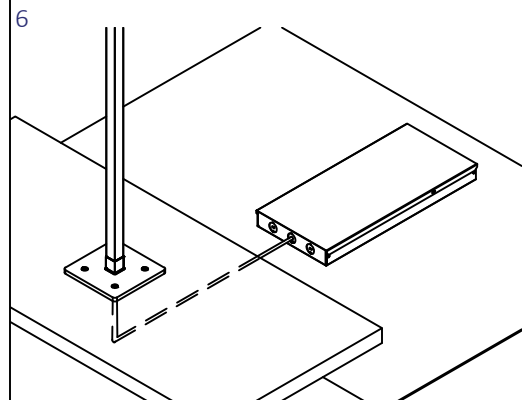
Insert arms into the threaded sleeve until it bottoms out. Wire connections between the whip & the arm. Tuck all wires into the tubing.



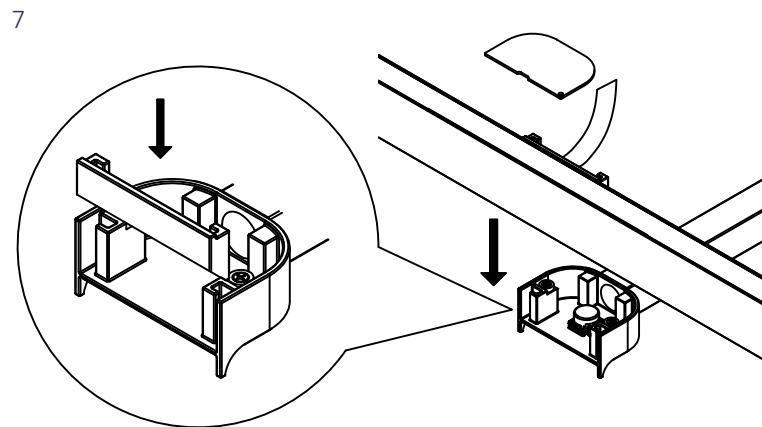
Secure the arm using 1/4-20 set screws on both sides of the threaded sleeve to prevent all movement.



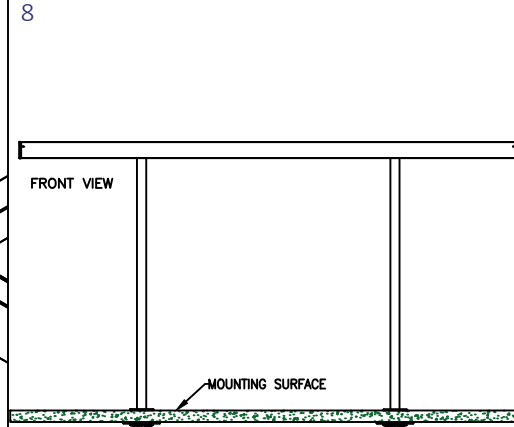
Mount remote driver enclosure to a location that follows your local electrical codes.



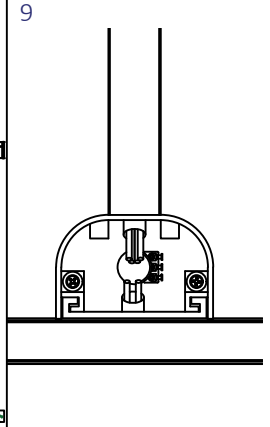
Complete connections between the mounted arm and remote driver enclosure within the enclosure.



Remove top cover from the arm. Mount the lighting fixture to the arm by sliding the bracket into the keyed slot. Repeat this until each bracket is slotted into each arm.



Ensure fixture is perfectly level. Repeat step 4 and adjust the arms as necessary.

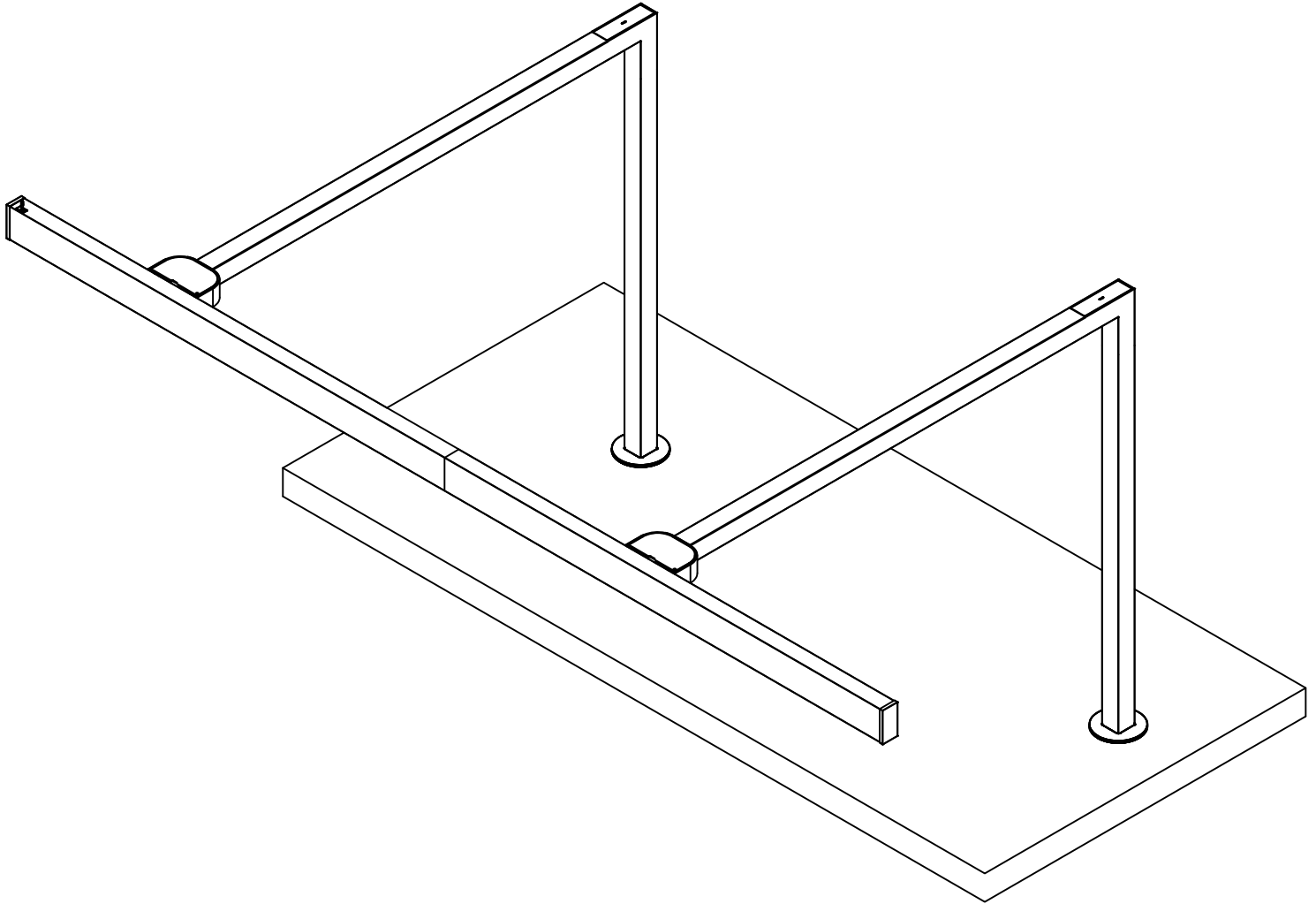


Wire fixtures to the arm mount following wiring diagram on attached drawings. Replace top cover when done.



Risk of fire and electrical shock. In accordance with national local building and electrical codes, CORONET lighting fixtures must be installed by a qualified electrician. Disconnect power at electrical panel before servicing.

11



Power on the fixture to make sure everything works properly.

GENERAL INSTALLATION CONSIDERATIONS - See submittal drawings for job specific data.

Operating Temperature.....-40°C to 50°C
Operating Voltage.....110VAC-277VAC, 50Hz-60Hz
Weight.....5.1 lb/ft
Dimensions.....See submittal drawings

- Installation by a certified electrician only.
- Read and understand the installation instructions before attempting to install or use the fixture.
- Only use fixtures with voltage for which it is rated. Do not exceed the specified voltage and current input.
- Do not use the fixture if the housing, lens, or power cable is damaged.
- Ensure that the main power supply is off before installing or wiring the fixture.
- Method of wire connection to be determined by local electrical codes and regulations.
- The external flexible cable of this luminaire cannot be replaced; if the cord is damaged, contact Coronet.
- The light source contained in this luminaire shall only be replaced by the lighting manufacturer or his service agent or a similar qualified person.