

# LS1 Curve direct

>90 CRI  
up to  
**95**  
lumens / watt

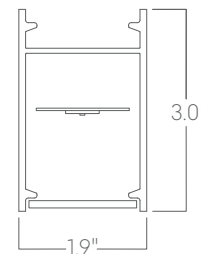


The LS Series of architectural luminaires offers a wide range of profiles and mounting options. Custom lengths and patterns are tailored to suit any modern space.

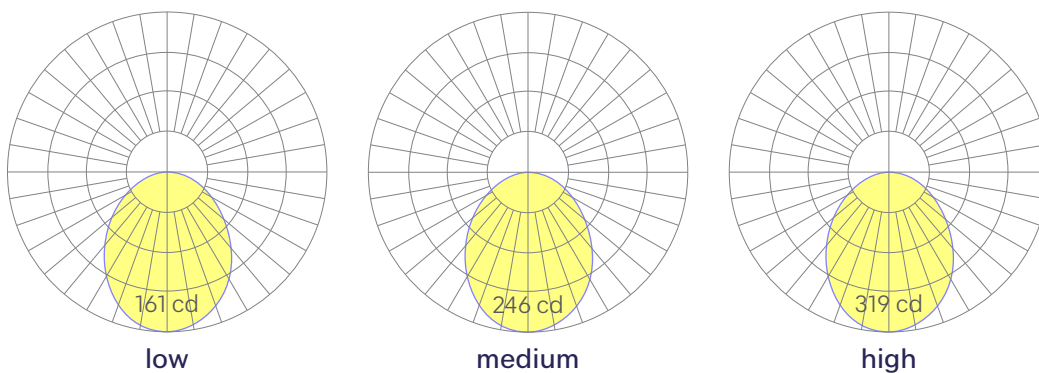
## Features

- Living Building Challenge Declare listed. Red List Free optional.
- Standard or custom radii and angles + optional straight sections
- Extruded recycled aluminum housing
- Configured patterns and finishes available
- Specifiable color temperature. CRI > 90, R9 > 70
- 5 Year, 50,000 hour warranty, damp location rated
- WELL Building Standard compatible [learn more](#)

## Dimensions



## Optics



Representative distribution and peak candela. For other options see order information or IES files [here](#).

# LS1 Curve direct

## Ordering Information

For each option group below specify one option. If you don't see your preferred option listed, contact us for [help](#).

1 Fixture ID	2 Length	3 Color Temperature	4 Output
<b>LS1.CURVE</b>	<b>90°</b> <b>135°</b> <b>X°</b> Custom Angles Drawing required; consult factory. Refer to page 5.	<b>27</b> 2700K/90 CRI <b>30</b> 3000K/90 CRI <b>35</b> 3500K/90 CRI <b>40</b> 4000K/90 CRI <b>50</b> 5000K/90 CRI <b>WD</b> Warm Dim 2200K-3000K Must use WD10 driver <b>TW</b> Tunable White 2700K-6500K Must use TW10 driver <b>RGBW30</b> RGB +white, 3000k Remote DMX. High output unavailable. <b>RGBW35</b> RGB +white, 3500k Remote DMX. High output unavailable. <b>RGBW40</b> RGB +white, 4000k Remote DMX. High output unavailable.	<b>LOW</b> Low output <b>MED</b> Medium output <b>HIGH</b> High output <b>CUST</b> Custom output Specify watts or lumens
5 Voltage	6 Driver	7 Finish	8 Mounting
<b>UNV</b> Universal (120/277V)	<b>DB</b> Standard 0-10V 1% <b>DB.1%</b> 0-10V 0.1% <b>ELV</b> Reverse Phase 1% (120V only) For compatible dimmers see <a href="#">here</a> . <b>TRI</b> Forward phase (120V only) For compatible dimmers see <a href="#">here</a> . <b>LDE</b> Lutron Digital EcoSystem <b>DALI</b> DALI-2 Driver <b>PoE</b> Power over ethernet. <b>TW10</b> Dual channel, 0-10V for tunable white. <b>DMX</b> DMX512 All DMX drivers set to default address 001 and provided in remote enclosures. Contact us for other addressing needs	<b>W</b> White <b>BLK</b> Black <b>SLV</b> Silver <b>CC</b> Custom Color See finish options <a href="#">here</a> . <b>CWF</b> Custom Wood Finish See finish options <a href="#">here</a> .	<b>AC</b> Aircraft cable (50") <b>ACTB9</b> Aircraft cable, Tbar clip, 9/16" <b>ACTB15</b> Aircraft cable, Tbar clip, 15/16" <b>ACTBSG</b> Aircraft cable, Tbar clip, Slot Grid <b>AC3.5</b> 3.5" canopy + Jbox adaptor adaptor must be mudded-in. <b>ACCC</b> Aircraft cable to Conduit Pipe Canopy <b>PS.X</b> Pendant stem (12", 18", 24", 36", 48") <b>SMHC</b> Surface Mount, Hard Ceiling <b>SMTB9</b> Surface Mount, Tbar Clip, 9/16" <b>SMTB15</b> Surface Mount, Tbar Clip, 15/16" <b>SMTBSG</b> Surface Mount, Tbar Clip, Slot Grid
9 Optics	10 Sensors/Controls	11 Circuit	12 Options
<b>FL</b> Flat Diffuser	<b>NA</b> None <b>ACM</b> Acuity nLight Module Only <b>CCS</b> Casambi Module <b>AWNDR</b> Lutron Athena Wireless Node Module <b>OTHER</b> Consult Factory	<b>NA</b> None <b>EMPCK</b> Emergency battery pack <b>EMCKT</b> Emergency circuit May require additional power feeds. <b>DAYCKT</b> Daylight circuit May require additional power feeds.	<b>STD</b> White canopy + white cord <b>CAN.X</b> Canopy + color See finish options <a href="#">here</a> . <b>SJ.BLK</b> Black cord <b>SJ.WHT</b> White cord

## Performance

Output <sup>1</sup>	Watts/ft	Lumens/ft	LPW
Low	3.5	348	99
Medium	5.5	532	97
High	7.5	689	92

<sup>1</sup>Based on a typically configured 90 CRI, 3500K luminaire using one driver.  
 Custom outputs available. Please consult factory.  
 For 4000K multiply by 1.05; for 3000K, 0.9; for 2700K, 0.92.

## Technical Information



click [here](#) or scan QR code

Wiring diagrams, PoE and sensor details



# LS1 Curve direct

## Drivers & Electrical

Remote, dimmable drivers are supplied in enclosures. Several other driver options available; see ordering information.

For remote driver box sizes, click [here](#).

## Emergency Back-Up

For fixtures three-feet or longer, a 6W emergency driver may be wired to 4ft sections. A 10W driver is also available (consult factory). Emergency circuits for use with building generators are also available.

## PoE (Power over Ethernet)

Compatible with virtually all PoE systems including Molex Coresync, Igor, Smartengine, Platformatics, and NuLED SPICEbox.

Consult factory for systems not listed. See [here](#) for more info.

## Finishes

All luminaires are finished in high quality polyester powder coating. Our standard color is white. Any RAL color may be specified.

## Weight

3 lbs per foot

## Optics

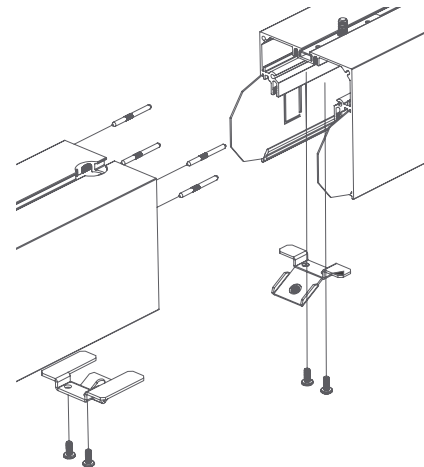
Extruded satin acrylic lenses provide excellent diffusion, high transmission, and no LED imaging.

## Construction

Housings are extruded premium, recycled aluminum. Individual fixtures are available up to 12' long and may be specified as nominal or precision lengths. Precision lengths are supplied within 1/8" tolerance.

## Joined Runs

Runs of any length may be specified and are comprised of multiple, factory-engineered, joined sections. Individually specified luminaires are not field joinable.

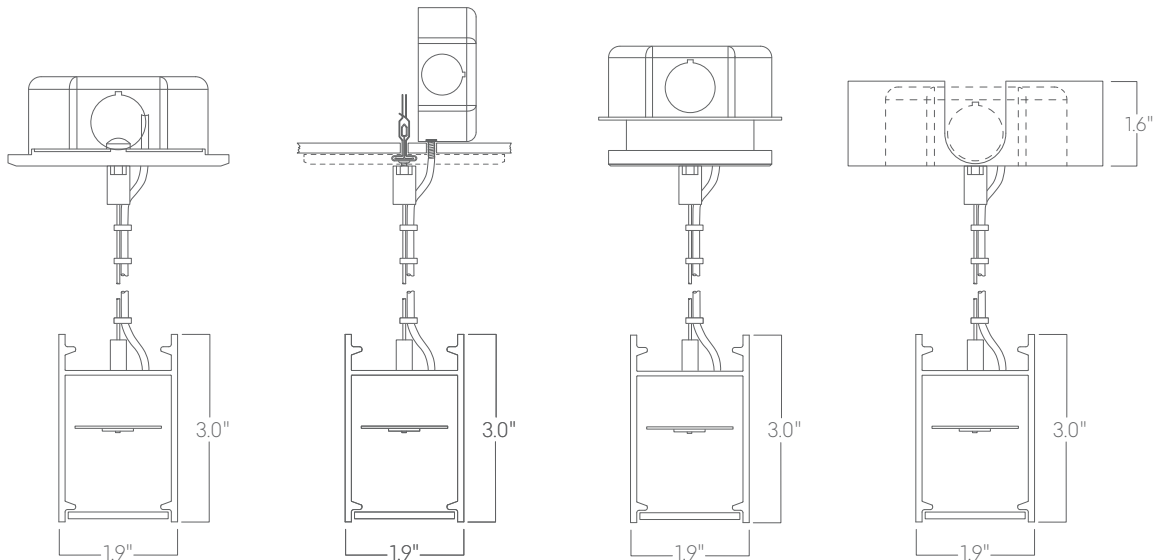


Representative joinery. For product specific details see installation guides or submittal drawings.

# LS1 Curve direct

## Mounting Options

Custom mounting types and ceiling transitions available; consult factory.

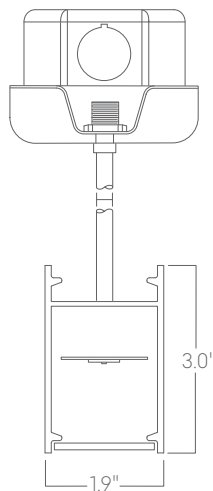


**Aircraft cable  
5" canopy**

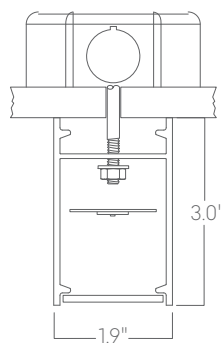
**Aircraft cable  
5" canopy, T Bar Clip**

**Aircraft cable  
3.5" canopy**

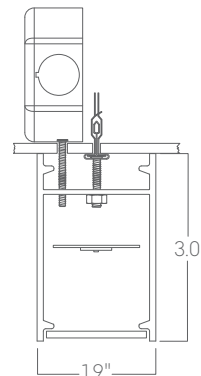
**Aircraft cable  
conduit canopy  
with knockouts**



**Pendant stem**



**Surface mount  
hard ceiling**



**Surface mount  
T Bar clip**

Please consult factory shop drawings for suspension points.

To prevent damage to fixtures, factory designated suspension points must not be field altered.

Do not attempt installation if you do not understand the installation instructions.