

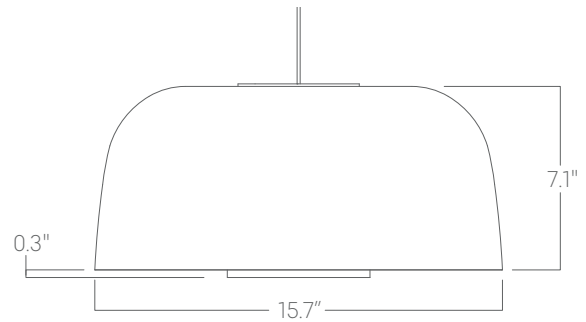


A bell shaped luminaire that uses indirect light with a shield for low glare applications.

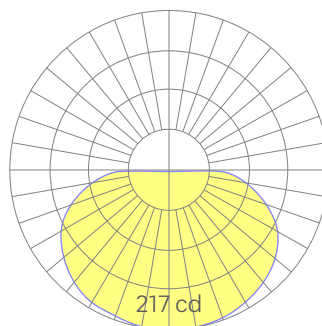
## Features

- Pendant cord mounting
- Integral, specifiable, dimmable drivers
- Aluminum core LED boards, specifiable optics
- Specifiable color temperature. CRI > 90, R9 > 50
- 5 Year, 50,000 hour warranty, damp location rated

## Dimensions



## Optics



medium

Representative distribution and peak candela. For other options see order information or IES files [here](#).

## Ordering Information

For each option group below specify one option. If you don't see your preferred option listed, contact us for [help](#).

1	Fixture ID	2	Color Temperature	3	Output	4	Voltage
<b>BELL</b>		<b>27</b>	2700K/90 CRI	<b>MED</b>	Medium output	<b>UNV</b>	Universal (120/277V)
		<b>30</b>	3000K/90 CRI				
		<b>35</b>	3500K/90 CRI				
5	Driver	6	Outer Shade Finish	7	Mounting	8	Options
<b>DB</b>	Standard 0-10V 1% dimming	<b>W</b>	White	<b>PC</b>	Pendant Cord	<b>STD</b>	White canopy
		<b>BLK</b>	Black				
		<b>BRS</b>	Brass				
		<b>BLU</b>	Blue				
		<b>RED</b>	Red				

## Performance

Output <sup>1</sup>	Watts	Lumens
Medium	16	949

<sup>1</sup>Based on a typically configured 90 CRI, 3500K luminaire using one driver. Custom outputs available. Please consult factory. For 4000K multiply by 1.05, for 3000K, 0.9, for 2700K, 0.92.

## Technical Information



click [here](#) or scan QR code

Wiring diagrams, PoE and sensor details

## Drivers & Electrical

Integral dimmable drivers are supplied. Several other driver options are available; see ordering information.

## Finishes

The standard color of the stem is white. Black, brass, blue, and red finishes available.

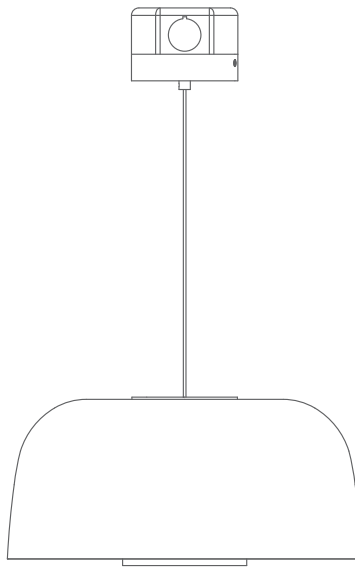
## Construction

Shade is made from steel.

## Weight

TBD

## Mounting Options



**Pendant Cord**