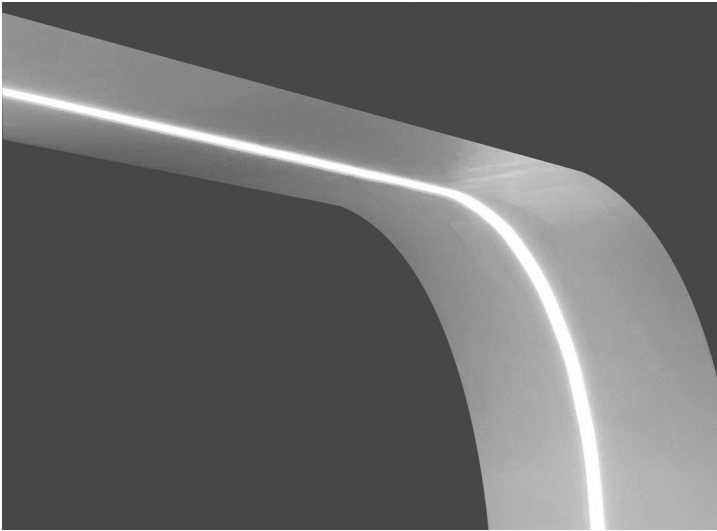


# LSR Arc recessed

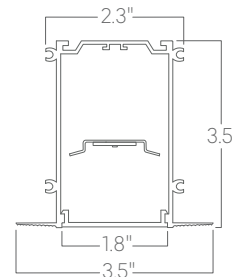


This slim, field-curvable luminaire adds new design capabilities to our LS Series of products.

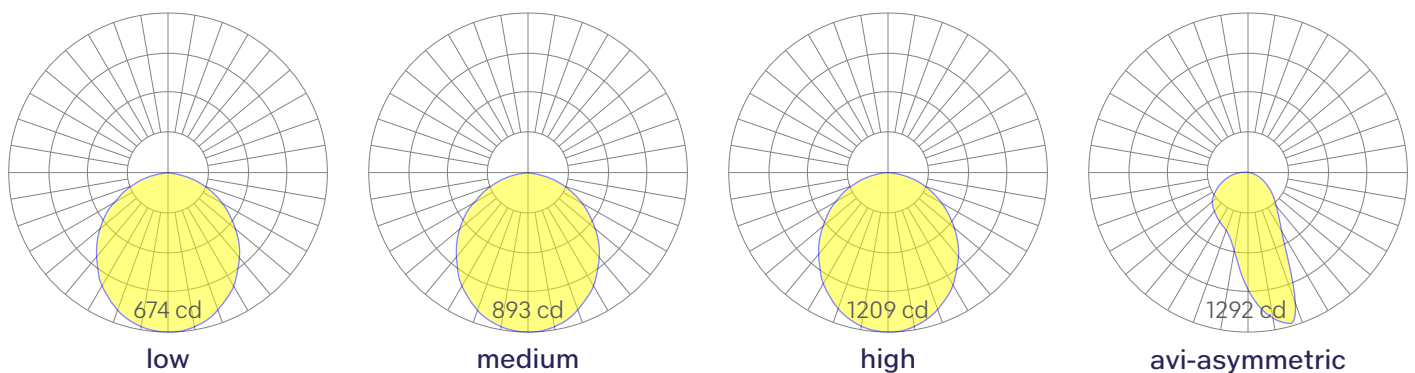
## Features

- 48 inch minimum radius
- Field curvable
- Extruded recycled aluminum housing
- Specifiable optics
- Specifiable color temperature. CRI > 90, R9 > 50
- Custom lengths, welded patterns, and finishes available
- Integral specifiable dimmable drivers or PoE
- 5 Year, 50,000 hour warranty, damp location rated
- WELL Building Standard compatible [learn more](#)

## Dimensions



## Optics



Representative distribution and peak candela. For other options see order information or IES files [here](#).

# LSR Arc recessed

## Ordering Information

For each option group below specify one option. If you don't see your preferred option listed, contact us for [help](#).

1	Fixture ID	2	Length	3	Color Temperature	4	Output
	<b>LSR.ARC</b>	<b>PAT</b>	Pattern Submit a sketch clearly designating length and elevation dimensions.	<b>27</b>	2700K/90 CRI	<b>LOW</b>	Low output
				<b>30</b>	3000K/90 CRI	<b>MED</b>	Medium output
				<b>35</b>	3500K/90 CRI	<b>HIGH</b>	High output
				<b>40</b>	4000K/90 CRI	<b>CUST</b>	Custom output Specify watts or lumens
				<b>50</b>	5000K/90 CRI		
				<b>TW</b>	Tunable White 2700K-6500K Must use TW10 driver.		
5	Voltage	6	Driver	7	Finish	8	Mounting
	<b>UNV</b> Universal (120/277V)	<b>DB</b>	Standard 0-10V 1%	<b>W</b>	White	<b>NT</b>	Mud-In Flange
		<b>DB.1%</b>	0-10V 0.1%	<b>BLK</b>	Black		
		<b>ELV</b>	Reverse Phase 1% (120V only) For compatible dimmers, click <a href="#">here</a> .	<b>SLV</b>	Silver		
		<b>TRI</b>	Forward phase (120V only) For compatible dimmers, click <a href="#">here</a> .	<b>CC</b>	Custom Color See finish options <a href="#">here</a> .		
		<b>LDE1</b>	Lutron Digital EcoSystem				
		<b>DALI</b>	DALI-2 Driver				
		<b>PoE</b>	Power over ethernet.				
		<b>TW10</b>	2 ch, 0-10V for tunable white.				
		<b>DMX</b>	DMX512 All DMX drivers set to default address 001 and provided in remote enclosures. Contact us for other addressing needs.				
9	Optics	10	Sensors/Controls	11	Circuit	12	Options
	<b>FL</b> Flat Diffuser	<b>NA</b>	None	<b>NA</b>	None	<b>NA</b>	None
		<b>ACM</b>	Acuity nLight Module Only	<b>EMPCK</b>	Emergency battery pack	<b>WH</b>	6ft whips
		<b>CCS</b>	Casambi Module	<b>EMCKT</b>	Emergency circuit May require additional power feeds.		
		<b>OTHER</b>	Consult Factory	<b>DAYCKT</b>	Daylight circuit May require additional power feeds.		

## Performance

Output <sup>1</sup>	Watts/ft	Lumens/ft	LPW
Low	5	458	92
Medium	7	608	87
High	10	822	82

<sup>1</sup>Based on a typically configured 90 CRI, 3500K luminaire using one driver.  
Custom outputs available. Please consult factory.  
For 4000K multiply by 1.05; for 3000K, 0.9; for 2700K, 0.92.

## Technical Information



click [here](#) or scan QR code

Wiring diagrams, PoE and sensor details

# LSR Arc recessed

## Drivers & Electrical

Standard 0-10V Dimming drivers offered. Several other driver options available; see ordering information.

\*DMX drivers are provided in remote enclosures.

## Sensors & Controls

Several different sensors are offered. Coronet remains agnostic in our approach to sensors and control systems; our fixtures are compatible with most systems offered.

## Emergency Back-Up

For fixtures three-feet or longer, a 6W emergency driver may be wired to 4ft sections. A 10W driver is also available (consult factory). Emergency circuits for use with building generators are also available.

## PoE (Power over Ethernet)

Compatible with virtually all PoE systems including Moxel Coresync, Igor, Smartengine, Platformatics, and NuLED SPICEbox.

Consult factory for systems not listed. See [here](#) for more info.

## Finishes

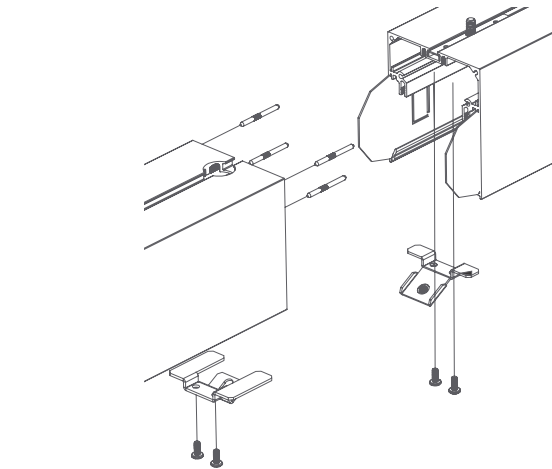
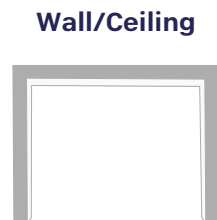
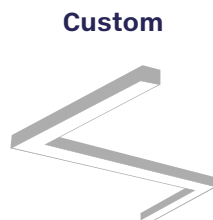
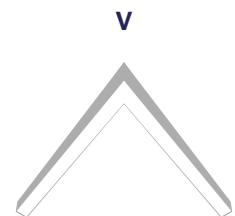
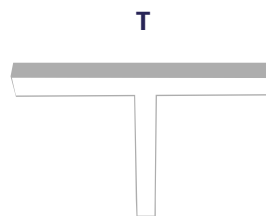
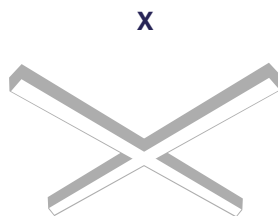
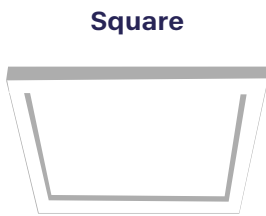
All luminaires are finished in high quality polyester powder coating. Our standard color is white. Any RAL color may be specified.

## Weight

TBD lbs per foot

## Patterns

Featuring illuminated welded corners and angles. Consult factory for custom designs and elevations.



Representative joinery. For product specific details see installation guides or submittal drawings.

## Optics

Extruded satin acrylic lenses provide excellent diffusion, high transmission, and no LED imaging.

## Construction

Housings are extruded premium, recycled aluminum. Individual fixtures are available up to 12' long and may be specified as nominal or precision lengths. Precision lengths are supplied within 1/8" tolerance.

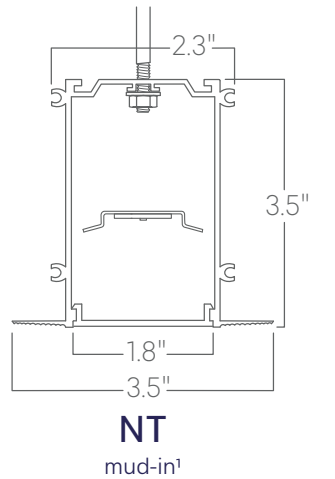
## Joined Runs

Runs of any length may be specified and are comprised of multiple, factory-engineered, joined sections. Individually specified luminaires are not field joinable.

# LSR Arc recessed

## Mounting Options

Custom mounting types and ceiling transitions available; consult factory.



<sup>1</sup>Installation that alters aperture width compromises lens security. Installer must ensure aperture width is maintained.

**Please consult factory shop drawings for suspension points.**

**To prevent damage to fixtures, factory designated suspension points must not be field altered.**

**Do not attempt installation if you do not understand the installation instructions.**