
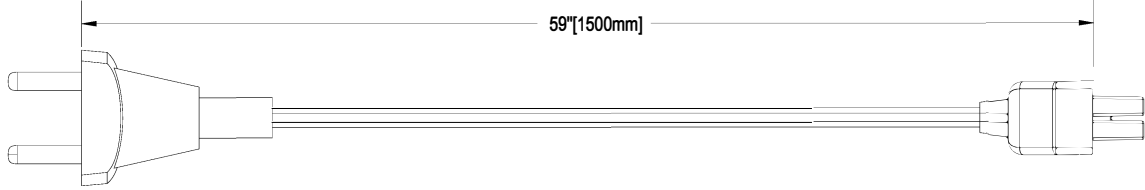
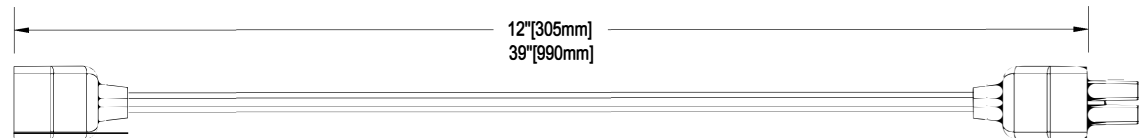
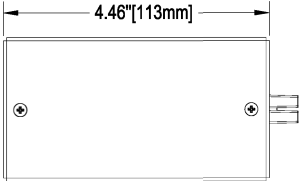
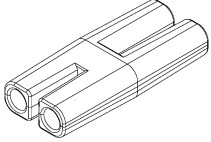




120V SLIM Installation And Operation Instructions

1. Product & Accessories

Light Body	
Starer Cable With Plug	
Jumper Cable	
Junction Box	
Intermediate Connectors	
Other	 <p> end cap standard mounting clip 30/45 ° angle mounting clip metal plate with adhesive tape </p>
Starer Wires	

2. Precautions

1. Input voltage of cabinet light products is AC120V power supply;
2. The product can support the Triac dimmer ,maximum power after connection is 500W ;
3. The product must be installed only in locations that conform with the stated IP rating and within the Operating Ambient Temperature range of -4 ° to 104 ° F [-20 ° to 40 ° C]. The product is intended for interior, dry or damp locations only;
4. When connecting multiple fixtures,end cap need be used to cover the end unit;

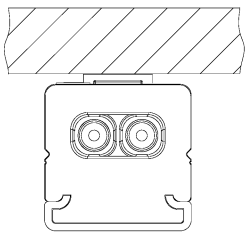
3. Installation Instructions

Magnetic Installation:

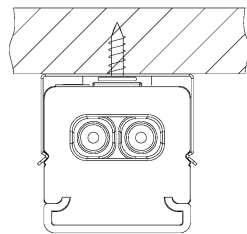
1. Attach the metal plate with adhesive on the magnet position of the light bottom;
2. Peel off the adhesive paper of the metal plate;
3. Stick the adhesive and light together to the installation position. If the adhesive surface is an iron frame, the light body can be directly attached on the surface of the iron frame without using the metal plate;

Screwing installation or 30°/45 °installation:

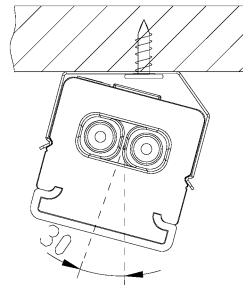
1. Drill 2 mounting holes according to the length of the light body at a suitable cabinet position on the surface of the mounting place;
2. Fix the clip through screws;
3. Clamp the light body inside the mounting buckle;
4. Before installing the dual angle bracket, please confirm the angle to be installed and adjust the buckle to the corresponding angle;



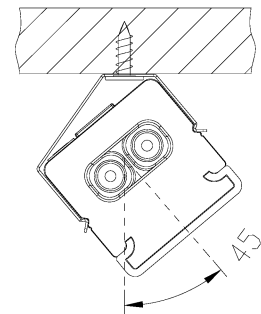
Magnetic installation



Standard installation

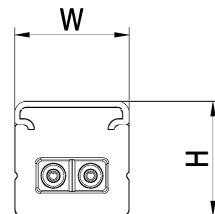
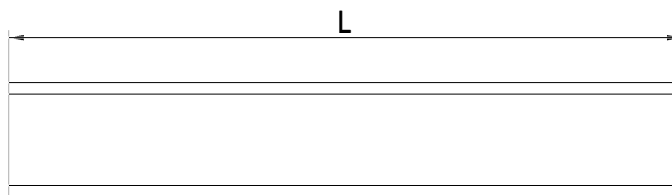


30° installation



45 ° installation

4.Parameters:



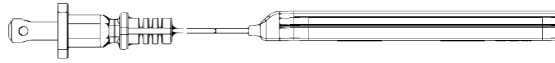
Model No.	Input voltage	Max. interconnecting power	Power	Length	Width	Height
SLIM-9-XX.XX-Y-SD	AC120V	500W	4W	8.25"[209.4mm]	0.79" [20mm]	0.79" [20mm]
SLIM-17-XX.XX-Y-SD	AC120V	500W	7W	16.3"[413.4mm]	0.79" [20mm]	0.79" [20mm]
SLIM-25-XX.XX-Y-SD	AC120V	500W	11W	24.3"[616.9mm]	0.79" [20mm]	0.79" [20mm]
SLIM-30-XX.XX-Y-SD	AC120V	500W	13.5W	29.5"[749.9mm]	0.79" [20mm]	0.79" [20mm]
SLIM-37-XX.XX-Y-SD	AC120V	500W	16.5W	36.3"[921.9mm]	0.79" [20mm]	0.79" [20mm]
SLIM-45-XX.XX-Y-SD	AC120V	500W	20W	44.2"[1121.9mm]	0.79" [20mm]	0.79" [20mm]

5. Connection Way:

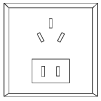
Single Light



AC120V 60HZ



Multiple Lights



AC120V 60HZ

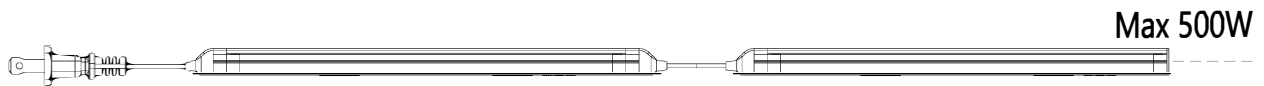
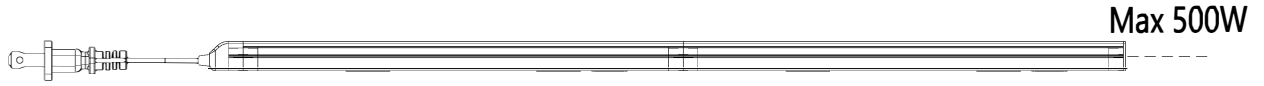
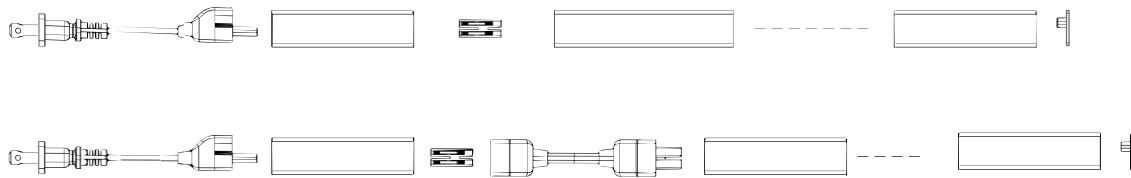


Diagram:



Jumper Cable & Quick Feed J-Box

AC120V 60HZ

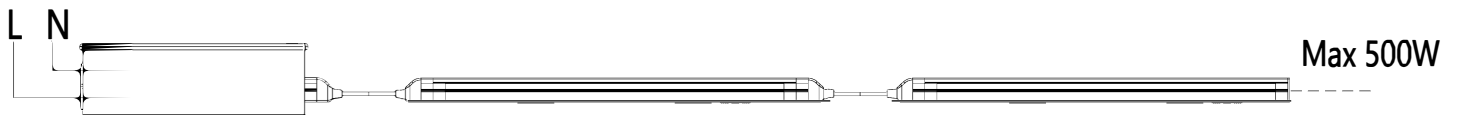
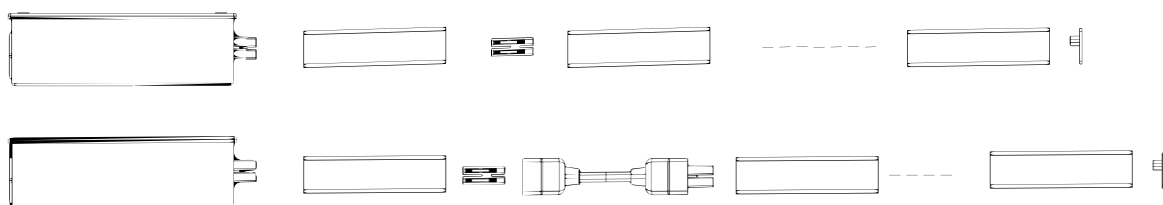
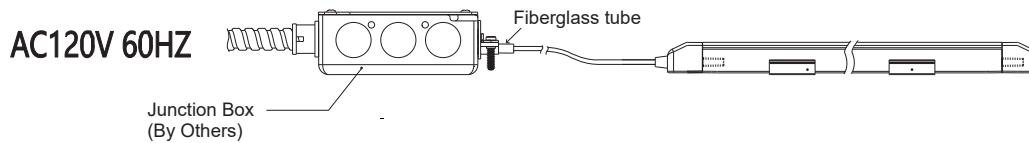


Diagram:



Interconnect Mounting Quick Feed J-Box



A strain-relief shall be provided for a flexible cord or conductor that can be subjected to pulling, pushing, flexing, or twisting after the luminaire has been installed.

A strain-relief device, including a bushing with an integral strain-relief means, shall be designed to limit the holding pressure without damaging the cord jacket or conductor insulation.

6. Safety Instruction:

READ ALL INSTRUCTIONS BEFORE USING: To reduce the risk of fire, burns, etc., please follow the following requirements for operation

- 1, Unplug from outlet before putting on or taking off parts.
- 2, Never operate this Light if it has a damaged cord or plug.
- 3, Never drop or insert any object into any opening.
- 4, Do not use outdoors.

WARNING: 1, Lighting fixtures must be connected to qualified sockets to prevent electric shock.
2, Do not modify the plug provided with the product .
3, Must be installed by a professional electrician, and the normal operating voltage of the product is 120V.