

# Point Mono super spot

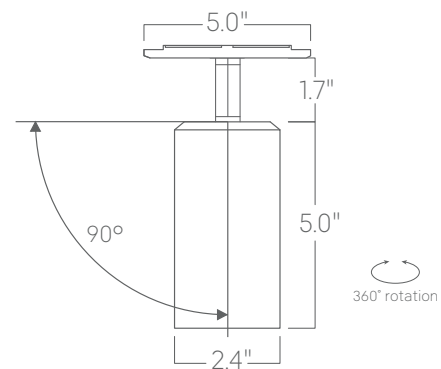


The Point Series of track heads and monopoints features unique over-center stem placement and a beveled aperture for exceptional low-glare performance with field-changeable TIR optics.

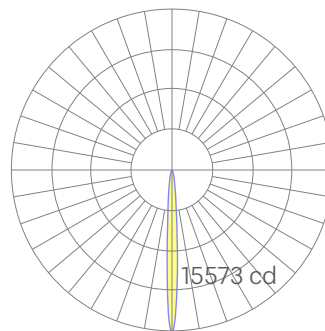
## Features

- 360 degrees rotation, 90 degrees tilt
- Seamless cast recycled aluminum cylinder
- Field changeable, beam-shaping TIR optics
- Specifiable color temperature. CRI > 90, R9 >50
- 5 Year, 50,000 hour warranty
- Specifiable dimmable drivers

## Dimensions



## Optics



super spot

Representative distribution and peak CBCP, center beam candlepower For other options see order information or IES files [here](#).

# Point Mono super spot

## Ordering Information

For each option group below specify one option. If you don't see your preferred option listed, contact us for [help](#).

1	Fixture ID	2	Color Temperature	3	Output	4	Finish
	POINT.M.SS	27	2700K/90 CRI	HIGH	High output	W	White
		30	3000K/90 CRI			BLK	Black
		35	3500K/90 CRI			SLV	Silver will extend leadtimes.
		40	4000K/90 CRI			CC	Custom Color will extend leadtimes see finish options <a href="#">here</a> .
5	Voltage/Driver	6	Beam Spread				
120V	Phase Control (120V only) ELV and TRAC Compatible For compatible dimmers see <a href="#">here</a> .	SS	8° Beam; 504 lm, 15573 CD				
120DB	120V 0-10V Only w/ Stucchi track						
277DB	277V 0-10V Only w/ Stucchi track, HTEK non dimming						

## Additional Ordering Information

If you require additional optics or accessories, see example order codes below,

POINT.SS-SS

POINT.M.SS-SS

## Performance

Beam Spread <sup>1</sup>	Watts	Lumens
Super Spot	8	504

<sup>1</sup>Based on 90 CRI and 3500K luminaire using one driver.  
For 4000K multiply by 1.02; for 3000K, 0.98; for 2700K, 0.96.

## Technical Information



click [here](#) or scan QR code

Wiring diagrams, PoE and sensor details