

Point Mono small

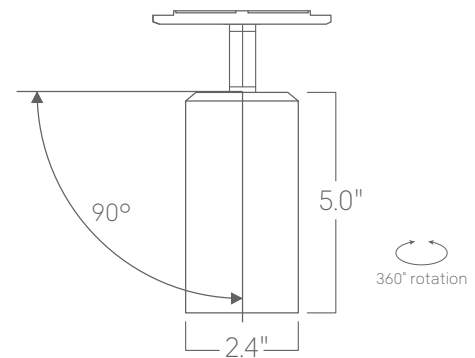


The Point Series of track heads and monopoints features unique over-center stem placement and a beveled aperture for exceptional low-glare performance; field-changeable TIR optics, and optional hex louver. Designed for use with standard line voltage track systems, drivers are integral.

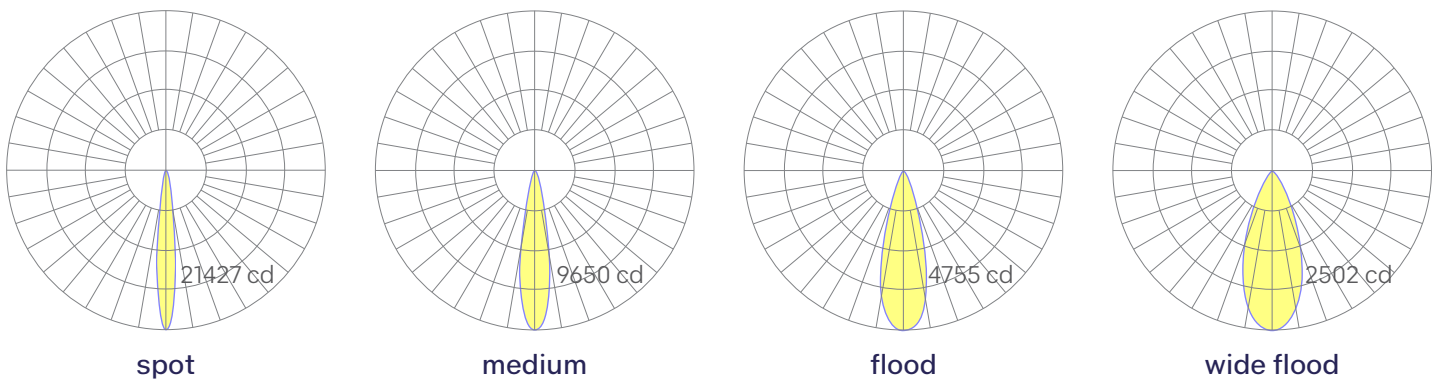
Features

- 360 degrees rotation, 90 degrees tilt
- Seamless cast recycled aluminum cylinder
- Up to 93 lumens per watt delivered
- Field changeable, beam-shaping TIR optics
- Specifiable color temperature. CRI > 90, R9 >50
- 5 Year, 50,000 hour warranty, damp location rated
- ELV or TRIAC dimming

Dimensions



Optics



Representative distribution and peak CBCP, center beam candlepower For other options see order information or IES files [here](#).

Point Mono small

Ordering Information

For each option group below specify one option. If you don't see your preferred option listed, contact us for [help](#).

1	Fixture ID	2	Color Temperature	3	Output	4	Finish
	POINT.M.SM	27	2700K/90 CRI	HIGH	High output	W	White
		30	3000K/90 CRI			BLK	Black
		35	3500K/90 CRI			SLV	Silver will extend leadtimes.
		40	4000K/90 CRI			CC	Custom Color will extend leadtimes see finish options here.
5	Beam Spread	6	Optional Accessories				
SP	15° Beam; 1401 lm, 21427 CD	NA	None				
MED	24° Beam; 1352 lm, 9650 CD	HEX	Hex Louver				
FL	36° Beam; 1331 lm, 4755 CD	DF	Diffusion Film				
WFL	60° Beam; 1292 lm, 2502 CD	LSF	Linear Spread Film 60 x 10				
			All these accessories can be used at once.				

Additional Ordering Information

If you require additional optics or accessories, see example order codes below,

POINT.SM-SP
POINT.SM-HEX

POINT.M.SM-FL
POINT.M.SM-DF

Performance

Beam Spread ¹	Watts	Lumens
Spot	15	1401
Medium	15	1352
Flood	15	1331
Wide Flood	15	1292

¹Based on 90 CRI and 3500K luminaire using one driver.
For 4000K multiply by 1.02, for 3000K, 0.98, for 2700K, 0.96.

Technical Information



click [here](#) or scan QR code

Wiring diagrams, PoE and sensor details