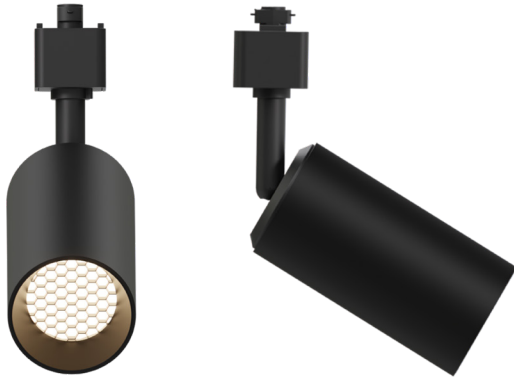


Point super spot

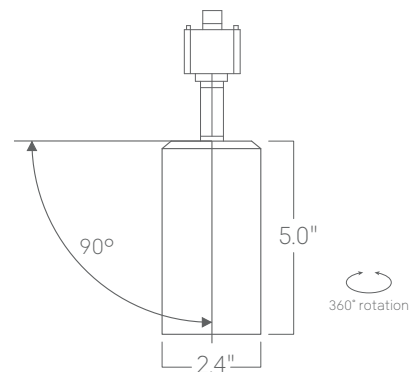


The Point Series of track heads and monopoints features unique over-center stem placement and a beveled aperture for exceptional low-glare performance with field-changeable TIR optics. Designed for use with standard line voltage track systems, drivers are integral.

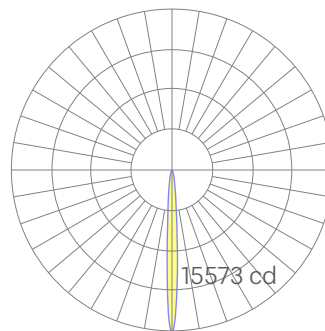
Features

- 360 degrees rotation, 90 degrees tilt
- Seamless cast recycled aluminum cylinder
- Field changeable, beam-shaping TIR optics
- Specifiable color temperature. CRI > 90, R9 >50
- 5 Year, 50,000 hour warranty
- Specifiable dimmable drivers

Dimensions



Optics



super spot

Representative distribution and peak CBCP, center beam candlepower For other options see order information or IES files [here](#).

Point super spot

Ordering Information

For each option group below specify one option. If you don't see your preferred option listed, contact us for [help](#).

1	Fixture ID	2	Color Temperature	3	Output	4	Finish
	POINT.SS	27	2700K/90 CRI	8W	8 Watts	W	White
		30	3000K/90 CRI			BLK	Black
		35	3500K/90 CRI			SLV	Silver will extend leadtimes.
		40	4000K/90 CRI			CC	Custom Color will extend leadtimes see finish options here .
5	Voltage/Driver	6	Beam Spread	7	Track Adapter		
120V	Phase Control (120V only) ELV and TRAIC Compatible For compatible dimmers see here .	SS	8° Beam; 504 lm, 15573 CD	JTYPE	J-Type Compatible (default)		
120DB	120V 0-10V Only w/ Stucchi track			HTYPE	H-Type Compatible Single-Circuit Only.		
277DB	277V 0-10V Only w/ Stucchi track, HTEK non dimming			GES	Global GES Compatible		
				STCH	Stucchi Concealed Adapter 2-Circuit 2-Neutral Compatible Available w/ 120DB 0-10v or 277DB 0-10v.		
				TEK	Global 120V 2-Circuit, 2-Neutral Compatible		
				HTEK	Global 277V 2-Circuit, 2-Neutral Compatible		
<p>All Point heads are provided with J-Type adapters unless otherwise specified. For more information on the adapters, see Page 3 or click here.</p>							

Additional Ordering Information

If you require additional optics or accessories, see example order codes below,

POINT.SS-SS

POINT.M.SS-SS

Performance

Beam Spread ¹	Watts	Lumens
Super Spot	8	504

¹Based on 90 CRI and 3500K luminaire using one driver.
For 4000K multiply by 1.02; for 3000K, 0.98; for 2700K, 0.96.

Technical Information



click [here](#) or scan QR code

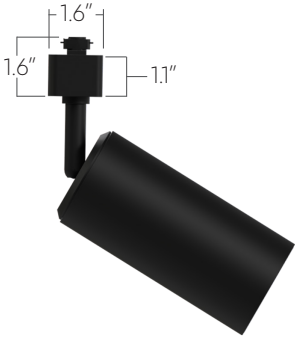
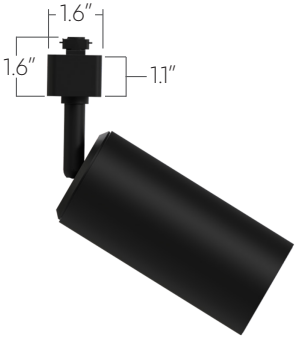
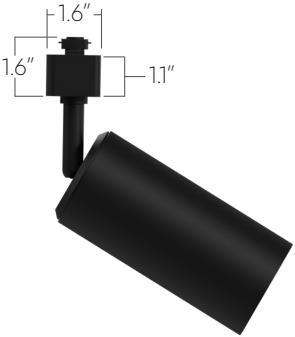
Wiring diagrams, PoE and sensor details

Point super spot

Point Series Track Adapters

Important notes/features about the track adapters,

- Track Adapters are tied to specific voltages (Make sure you specify the correct adapter to your voltage requirements),
 - 120V Adapters: J-Type, H-Type, GES, TEK
 - 277V Adapters: HTEK
 - Universal (120V or 277V) Adapters: STCH (Stucchi)
- Point Small & Medium are 120V only while the Point Large is Universal, 120V or 277V.

J-Type Adapter	H-Type Adapter	GES Adapter
		
STCH Adapter	HTEK/TEK Adapter	
