

GloDrop Wide 4.0 indirect/direct

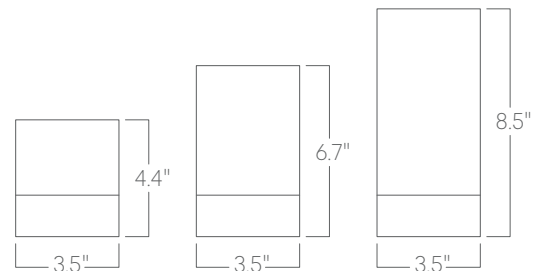


Accent lighting for suspended applications. Featuring a decorative band and frosted acrylic lens, and available in four beam-spreads.

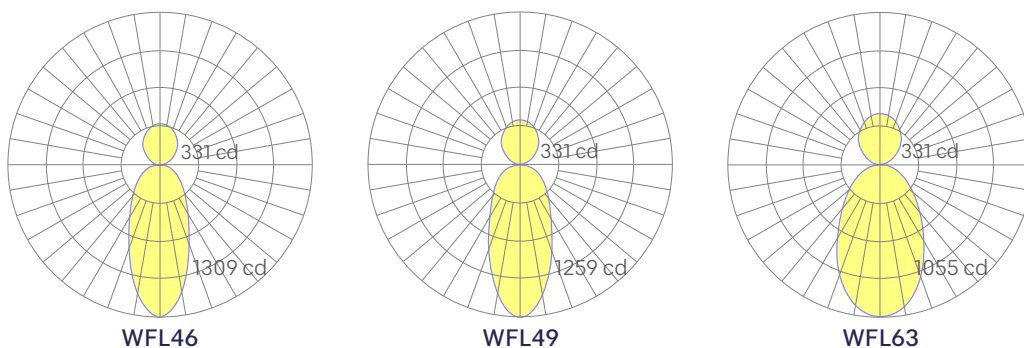
Features

- Decorative silver metallic band and frosted acrylic lens
- Indirect-direct light distribution
- Extruded, recycled, premium aluminum housing
- Specifiable color temperature. CRI > 90, R9 > 50
- 5 Year, 50,000 hour warranty, damp location rated
- WELL Building Standard compatible [learn more](#)

Dimensions



Optics



Representative distribution and peak candela. For other options see order information or IES files [here](#).

GloDrop Wide 4.0 indirect/direct

Ordering Information

For each option group below specify one option. If you don't see your preferred option listed, contact us for [help](#).

1	Fixture ID	2	Length	3	Color Temperature	4	Output
	GloDrop.W.UPDN	4	4 inch nominal	27	2700K/90 CRI	LOW	Low output
		6	6-inch nominal	30	3000K/90 CRI	MED	Medium output
		8	8 inch nominal	35	3500K/90 CRI	CUST	Custom output Specify watts or lumens.
				40	4000K/90 CRI		
				WD	Warm Dim 2200K-3000K Must use WD10 driver.		
5	Voltage	6	Driver	7	Finish	8	Mounting
	UNV Universal (120/277V)	DB	Standard 0-10V 1%	BLK	Black	PC	Pendant cable with standard 5-inch canopy.
		WD10	0-10V warm dimming	W	White	PS.X	Pendant stem with standard 5-inch canopy. 12, 18, 24, 36 or 48 in. Consult factory for lengths not shown.
		PoE.R	Power over ethernet Remote: For driver box sizes click here			PSFC	Field cuttable pendant stem 94 in. stem field cuttable to any length.
						PCCC	Pendant cord to conduit canopy
9	Beam Spread	10	Circuit	11	Options		
	FL46 Flood: 46-degrees; 1309 cd	NA	None	NA	None		
	WFL49 Wide flood: 49-degrees; 1259cd	DC	Dual 0-10v control; dual power feed				
	WFL63 Wide flood: 63-degrees; 1055cd	EMPCK	Emergency battery pack				
		EMCKT	Emergency circuit May require additional power feeds.				
		DAYCKT	Daylight circuit May require additional power feeds.				

Performance

Output ¹	Watts	Lumens
Low	12	1320
Medium	25	2698

¹Based on 8" tall fixture, WFL optic, 90 CRI, 3500K luminaire using one driver.
Custom outputs available. Please consult factory.
For 4000K multiply by 1.05; for 3000K, 0.9; for 2700K, 0.92.
For WD multiply by .80.

Technical Information



click [here](#) or scan QR code

Wiring diagrams, PoE and sensor details

GloDrop Wide 4.0 indirect/direct

Drop LED Driver Locations*

*If no emergency battery pack is specified. If emergency battery pack is specified, it will be supplied in a dual remote enclosure with LED driver.

Drop Narrow, GloDrop Narrow

Height	Low	Med	High
4"	remote	remote	remote
6"	remote	remote	remote
8"	integral	integral	remote

Drop Wide, GloDrop Wide, Petite Fleur

Height	Low	Med	High
4"	remote	remote	remote
6"	integral	integral	remote
8"	integral	integral	remote

Drop Up/Dn Narrow

Height	Low	Med	High
4"	remote	remote	remote
6"	remote	remote	remote
8"	integral	integral	remote

Drop Up/Dn Wide, Petite Fleur Up/Dn

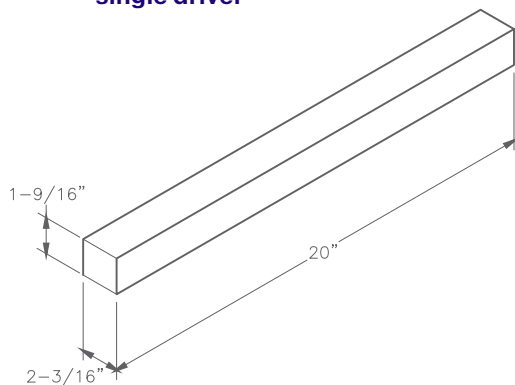
Height	Low	Med	High
4"	remote	remote	remote
6"	integral	integral	remote
8"	integral	integral	integral

Remote Driver Distances

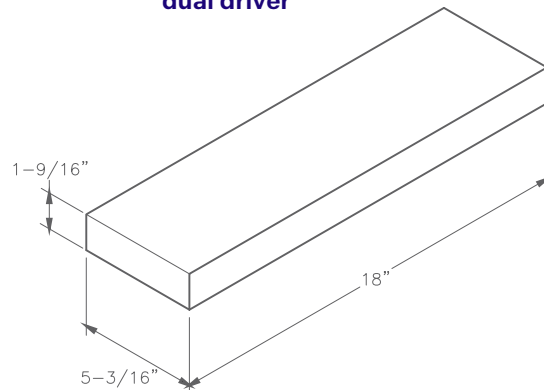
wire gauge	max. distance
12	100 ft
14	80 ft
16	50 ft
18	35 ft

Remote Driver Enclosure Sizes

**Remote driver housing,
single driver**



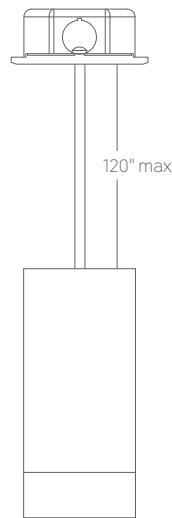
**Remote driver housing,
dual driver**



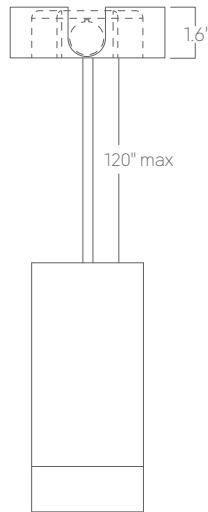
GloDrop Wide 4.0 indirect/direct

Mounting Options

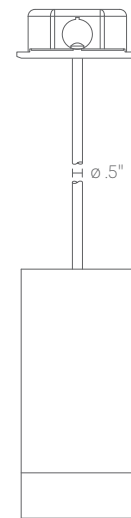
Custom mounting types and ceiling transitions available; consult factory.
Mounting and power feed locations will be added to approval drawings on request.



Pendant cable



**Pendant cable
conduit canopy
with knockouts**



Pendant stem

To prevent damage to fixtures, factory designated suspension points must not be field altered.
Do not attempt installation if you do not understand the installation instructions.