

GloDrop Narrow 2.5 indirect/direct

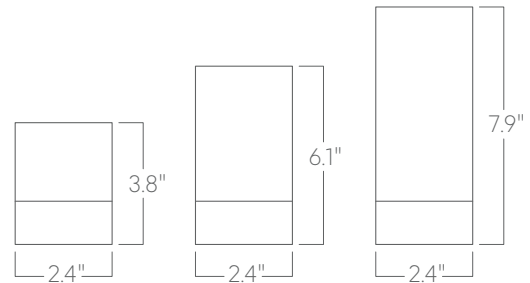


Accent lighting for suspended applications. Featuring a decorative silver band and frosted acrylic lens, and available in four beam-spreads.

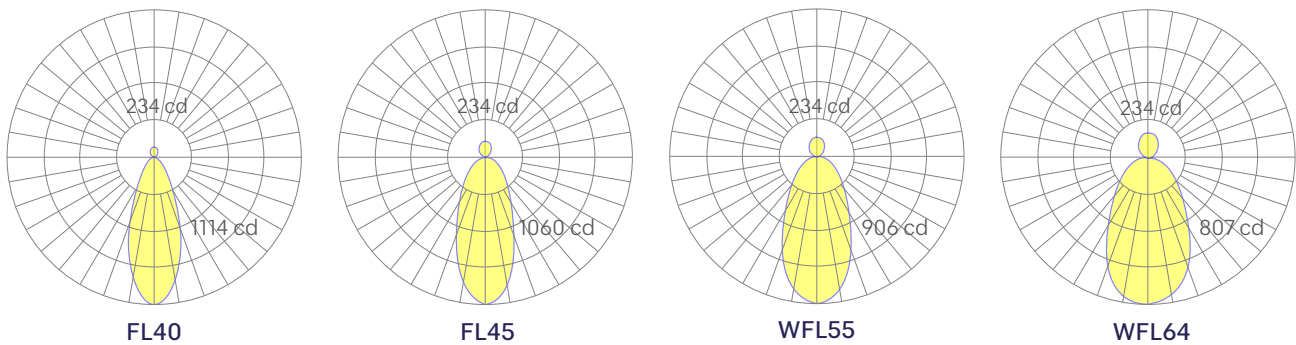
Features

- Decorative silver metallic band and frosted acrylic lens
- Indirect-direct light distribution
- Extruded, recycled, premium aluminum housing
- Specifiable color temperature. CRI > 90, R9 > 50
- 5 Year, 50,000 hour warranty, damp location rated
- WELL Building Standard compatible [learn more](#)

Dimensions



Optics



Representative distribution and peak candela. For other options see order information or IES files [here](#).

GloDrop Narrow 2.5 indirect/direct

Ordering Information

For each option group below specify one option. If you don't see your preferred option listed, contact us for [help](#).

1 Fixture ID	2 Length	3 Color Temperature	4 Output
GloDrop.N.UPDN	4 4 inch nominal	27 2700K/90 CRI	LOW Low output MED Medium output CUST Custom output Specify watts or lumens.
	6 6-inch nominal	30 3000K/90 CRI	
	8 8 inch nominal	35 3500K/90 CRI	
		40 4000K/90 CRI	
		WD Warm Dim 2200K-3000K Must use WD10 driver.	
5 Voltage	6 Driver	7 Finish	8 Mounting
UNV Universal (120/277V)	DB Standard 0-10V 1% WD10 0-10V warm dimming PoE.R Power over ethernet Remote. For driver box sizes click here	BLK Black W White	PC Pendant cable with standard 5-inch canopy. PS.X Pendant stem with standard 5-inch canopy. 12, 18, 24, 36, or 48 in. Consult factory for lengths not shown. PSFC Field cuttable pendant stem 94 in. stem field cuttable to any length. PCCC Pendant cord to conduit canopy
9 Beam Spread	10 Circuit	11 Options	
FL40 Flood: 40-degrees; 1114 cd FL45 Flood: 45-degrees; 1060 cd WFL55 Wide flood: 55-degrees; 906 cd WFL64 Wide flood: 64-degrees; 807 cd	NA None DC Dual 0-10v control; dual power feed EMPCK Emergency battery pack EMCKT Emergency circuit May require additional power feeds. DAYCKT Daylight circuit May require additional power feeds.	NA None	

Performance

Output ¹	Watts	Lumens
Low	10	888
Medium	16	1421

¹Based on 8" tall fixture, WFL optic, 90 CRI, 3500K luminaire using one driver. Custom outputs available. Please consult factory.
For 4000K multiply by 1.05; for 3000K, 0.9; for 2700K, 0.92.
For WD multiply by .80.

Technical Information



click [here](#) or scan QR code

Wiring diagrams, PoE and sensor details

GloDrop Narrow 2.5 indirect/direct

Drop LED Driver Locations*

*If no emergency battery pack is specified. If emergency battery pack is specified, it will be supplied in a dual remote enclosure with LED driver.

Drop Narrow, GloDrop Narrow

Height	Low	Med	High
4"	remote	remote	remote
6"	remote	remote	remote
8"	integral	integral	remote

Drop Wide, GloDrop Wide, Petite Fleur

Height	Low	Med	High
4"	remote	remote	remote
6"	integral	integral	remote
8"	integral	integral	remote

Drop Up/Dn Narrow

Height	Low	Med	High
4"	remote	remote	remote
6"	remote	remote	remote
8"	integral	integral	remote

Drop Up/Dn Wide, Petite Fleur Up/Dn

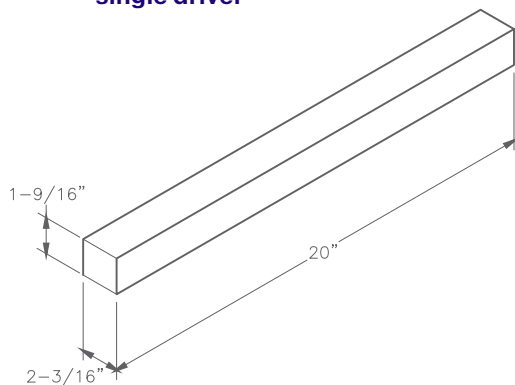
Height	Low	Med	High
4"	remote	remote	remote
6"	integral	integral	remote
8"	integral	integral	integral

Remote Driver Distances

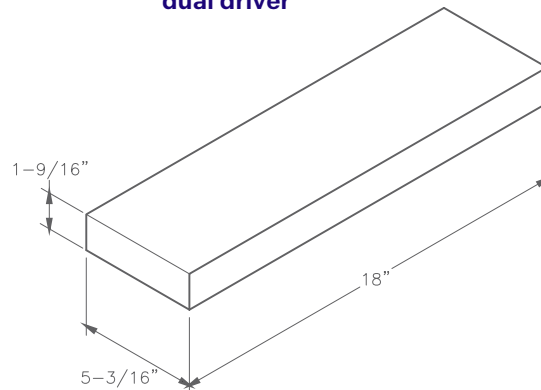
wire gauge	max. distance
12	100 ft
14	80 ft
16	50 ft
18	35 ft

Remote Driver Enclosure Sizes

**Remote driver housing,
single driver**



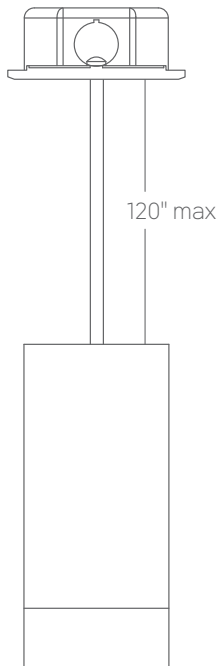
**Remote driver housing,
dual driver**



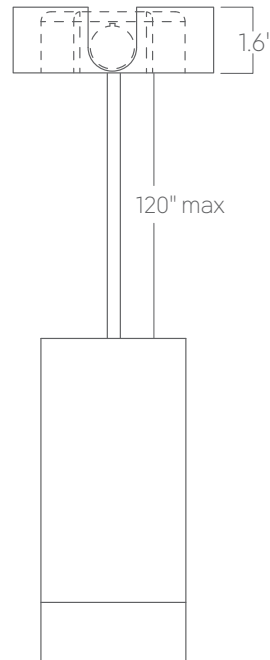
GloDrop Narrow 2.5 indirect/direct

Mounting Options

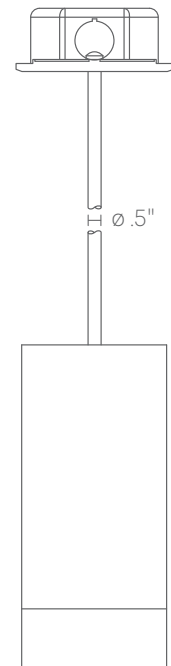
Custom mounting types and ceiling transitions available; consult factory.
Mounting and power feed locations will be added to approval drawings on request.



Pendant cable



**Pendant cable
conduit canopy
with knockouts**



Pendant stem

To prevent damage to fixtures, factory designated suspension points must not be field altered.
Do not attempt installation if you do not understand the installation instructions.