

Slick direct system

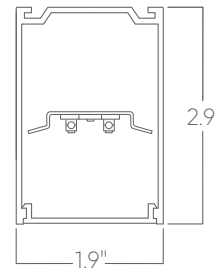


A linear system offering optional modular downlights with three available beam spreads. Custom lengths, patterns, & configurations are tailored to suit any modern space.

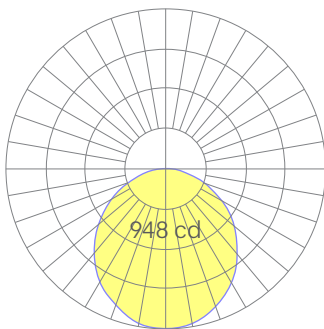
Features

- Available with linear lenses , downlights, and blank plates
- Extruded, recycled aluminum housing
- Specifiable color temperature. CRI > 90, R9 >50
- Specifiable dimmable drivers or PoE
- Custom control solutions available
- Custom finishes available
- 5 Year, 50,000 hour warranty, damp location rated
- WELL Building Standard compatible [learn more](#)

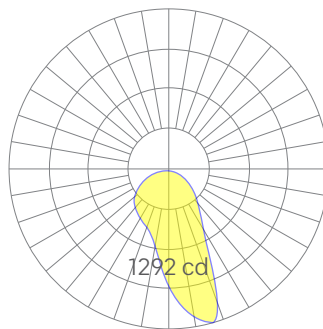
Dimensions



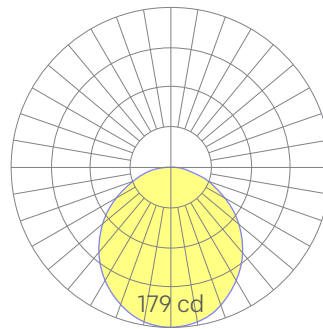
Optics



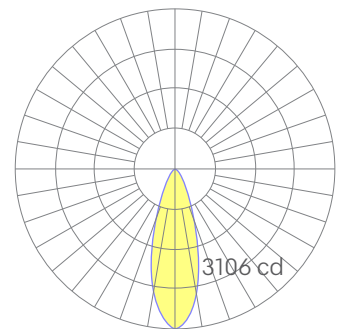
flat lens



avi asymmetric



bko lens



downlight

Representative distribution and peak candela. For other options see order information or IES files [here](#).

Slick direct system

Ordering Information

For each option group below specify one option. If you don't see your preferred option listed, contact us for [help](#). Please submit a sketch of luminaire system with location of downlights. See page 3.

1	Fixture ID	2	Length	3	Color Temperature	4	Output
	SLICK	Length 4 4 ft 8 8 ft X'-X" Specify Length PAT Pattern		27 2700K/90 CRI 30 3000K/90 CRI 35 3500K/90 CRI 40 4000K/90 CRI		Linear LOW Low output MED Medium output HIGH High output CUST Custom output Specify Watts or lumens Downlight LOW Low output MED Medium output	
		Configuration SL__ Section of Lens\Quantity DS__ Downlight Section\Quantity					
5	Voltage	6	Driver	7	Finish	8	Mounting
	UNV Universal (120/277V) 347V 347V Available for DB Driver only	DB Standard 0-10V 1% DB.1% 0-10V 0.1% ELV Reverse Phase 1% (120V only) For compatible dimmers see here . TRI Forward phase (120V only) For compatible dimmers see here . LDE Lutron Digital EcoSystem DALI DALI-2 Driver PoE Power over Ethernet		W White BLK Black SLV Silver CC Custom Color See finish options here . CWF Custom Wood Finish See finish options here .		AC Aircraft cable (50") ACTB9 Aircraft cable, Tbar clip, 9/16" ACTB15 Aircraft cable, Tbar clip, 15/16" ACTBSG Aircraft cable, Tbar clip, Slot Grid AC3.5 3.5" canopy + Jbox adaptor adaptor must be mudded-in. ACCC Aircraft cable to Conduit Pipe Canopy PS-X Pendant stem (12", 18", 24", 36", 48") SMHC Surface Mount, Hard Ceiling SMTB9 Surface Mount, Tbar Clip, 9/16" SMTB15 Surface Mount, Tbar Clip, 15/16" SMTBSG Surface Mount, Tbar Clip, Slot Grid WM Wall Mount	
9	Optics	10	Sensors/Controls	11	Circuit	12	Options
	Linear FL Flat Diffuser AVI ASY Asymmetric Optic BKO Wide Asym Ceiling Throw Downlight SP Spot Beam FL Flood Beam WFL Wide Flood Beam	NA None EIS Enlighted sensor WISM Wattstopper occupancy WISD Wattstopper daylight ACM Acuity nLight® module only ACS Acuity nLight® CCS Casambi module AWNRR Lutron Athena Wireless Node Module AWNS Lutron Athena Wireless Sensor Module OTHER Consult Factory		NA None DC Dual Circuit (separate linear/ downlight control) May require additional power feeds. EMPCK Emergency battery pack May require additional power feeds. EMCKT Emergency circuit May require additional power feeds. DAYCKT Daylight circuit May require additional power feeds.		Linear STD White Canopy + White Cord CAN-X Canopy + color See finish options here . SJ-BLK Black cord SJ-WHT White cord Downlight NA None HEX Hex Louver	

Performance

Output	Linear ¹			Downlight ²	
	Watts/ft	Lumens/ft	LPW	Watts	Lumens
Low	5	458	92	18	1312
Medium	7	608	87*	24	1699
High	10	822	82	N/A	N/A

¹Based on a typically configured 90 CRI, 3500K luminaire using one driver.

²Based on a flood optic with 90 CRI, 3500K luminaire using one driver.

Custom outputs available. Please consult factory.

For 4000K multiply by 1.02; for 3000K, 0.98; for 2700K, 0.96.

*80 CRI equivalent 104 LPW

Technical Information



click [here](#) or scan QR code

Wiring diagrams, PoE and sensor details

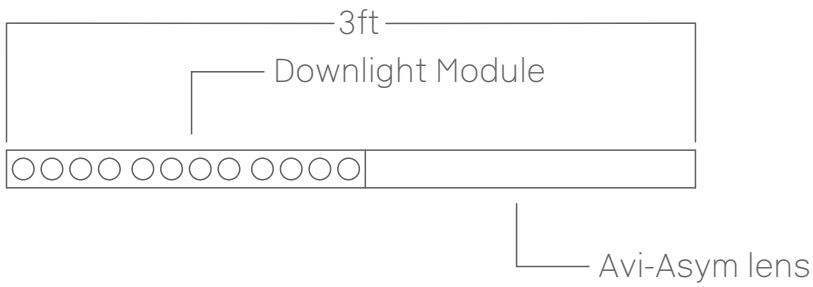
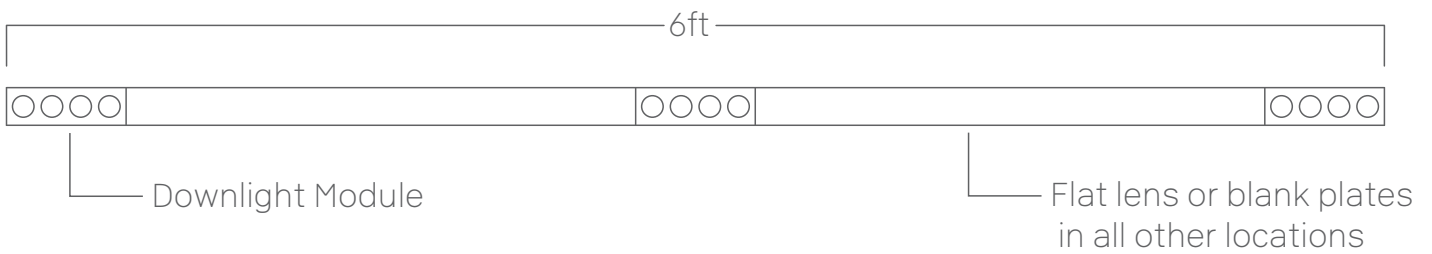
Slick direct system

Sample Sketches

Please submit a sketch that indicates the following:

- Total length of the luminaire
- Location and quantity of downlights

See the below example.



Slick direct system

Drivers & Electrical

Integral drivers* with 0-10V Dimming standard. Several other driver options available; see ordering information.
*Depending on configuration of system, remote drivers maybe required. Consult factory for more information.

Sensors & Controls

Sensors are installed on an aluminum plate adjacent to the luminaire lens¹. Coronet remains agnostic in our approach to sensors and control systems; our fixtures are compatible with most systems offered.

¹Not applicable to indirect only models. Consult factory.

Emergency Back-Up

For fixtures three-feet or longer, a 4W integral emergency driver may be wired to 4ft sections. 7W, 10W, and 12W drivers are also available (not all integral; consult factory). Emergency circuits for use with building generators are also available.

PoE (Power over Ethernet)

Compatible with virtually all PoE systems including Moxel Coresync, Igor, Smartengine, Platformatics, and NuLED SPICEbox.

Consult factory for systems not listed. See [here](#) for more info.

Finishes

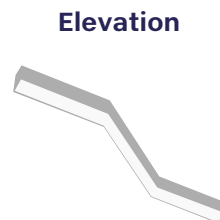
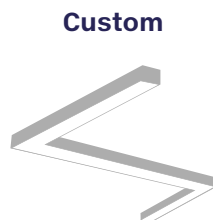
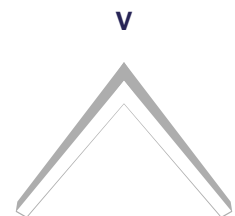
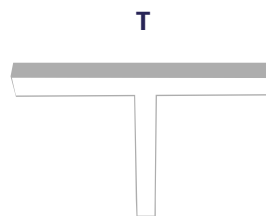
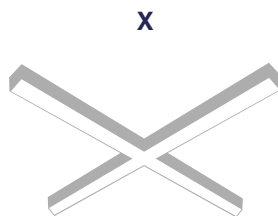
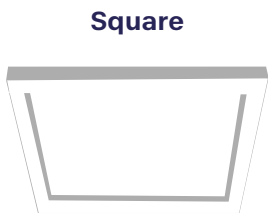
All luminaires are finished in high quality polyester powder coating. Our standard color is white. Any RAL color may be specified.

Weight

3 lbs per foot

Patterns

Featuring illuminated welded corners and angles. Consult factory for custom designs and elevations.



Optics

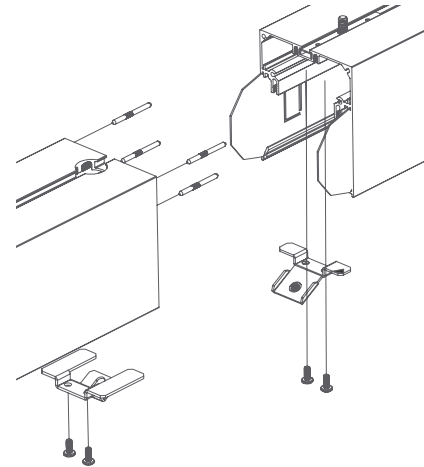
Extruded satin acrylic lenses provide excellent diffusion, high transmission, and no LED imaging.

Construction

Housings are extruded premium, recycled aluminum. Individual fixtures are available up to 12' long and may be specified as nominal or precision lengths. Precision lengths are supplied within 1/8" tolerance.

Joined Runs

Runs of any length may be specified and are comprised of multiple, factory-engineered, joined sections. Individually specified luminaires are not field joinable.

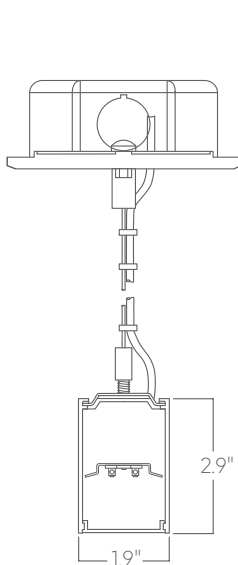


Representative joinery. For product specific details see installation guides or submittal drawings.

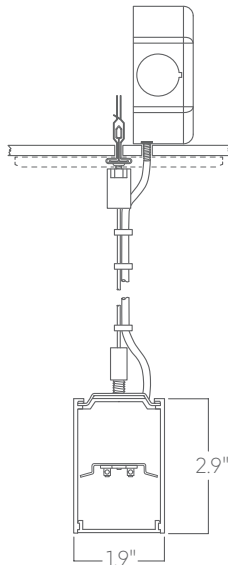
Slick direct system

Mounting Options

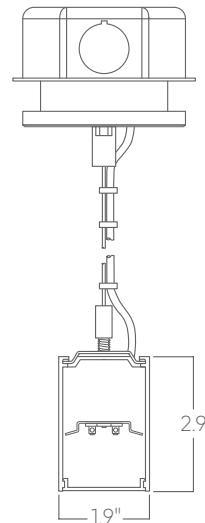
Custom mounting types and ceiling transitions available; consult factory.



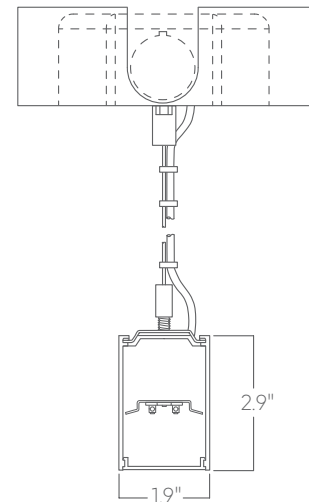
**Aircraft cable
5" canopy**



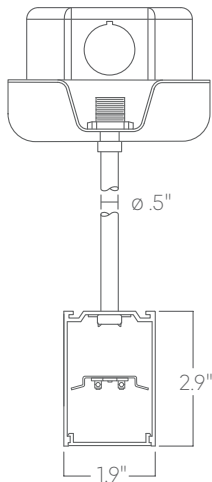
**Aircraft cable
5" canopy, T Bar Clip**



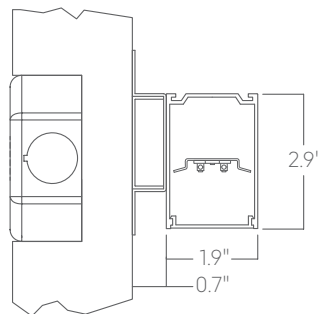
**Aircraft cable
3.5" canopy**



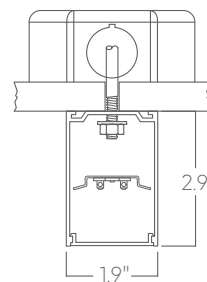
**Aircraft cable
Conduit canopy
with knockouts**



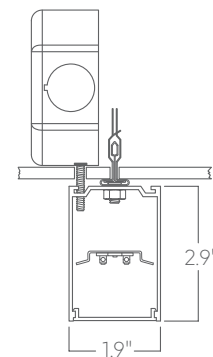
Pendant stem



Wall mount



**Surface mount
Hard Ceiling**



**Surface mount
T Bar Clip**

Please consult factory shop drawings for suspension points.

To prevent damage to fixtures, factory designated suspension points must not be field altered.

Do not attempt installation if you do not understand the installation instructions.