

Drop Slim 1.5 direct

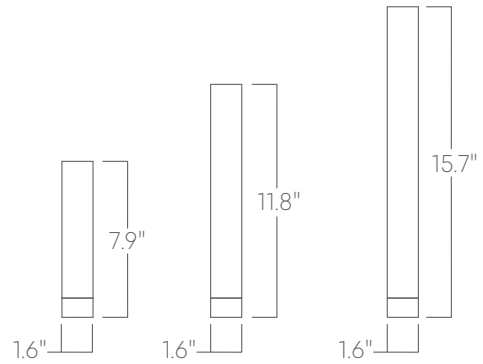


Accent lighting for surface or suspended applications. Available in three heights and three beam-spreads.

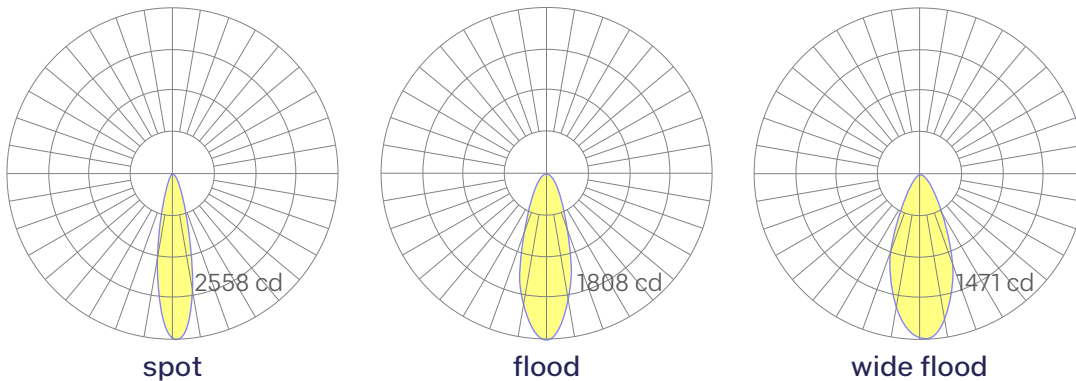
Features

- Extruded, recycled, premium aluminum housing
- Specifiable color temperature. CRI > 90, R9 >70
- 5 Year, 50,000 hour warranty, damp location rated
- WELL Building Standard compatible [learn more](#)

Dimensions



Optics



Representative distribution and peak candela. For other options see order information or IES files [here](#).

Drop Slim 1.5 direct

Ordering Information

For each option group below specify one option. If you don't see your preferred option listed, contact us for [help](#).

1	Fixture ID	2	Length	3	Color Temperature	4	Output
DROP-S		8	8 inch nominal	27	2700K/90 CRI	MED	Medium output
		12	12 inch nominal	30	3000K/90 CRI		
		16	16 inch nominal	35	3500K/90 CRI		
				40	4000K/90 CRI		
5	Voltage	6	Driver	7	Finish	8	Mounting
UNV	Universal (120/277V)	DB	Standard 0-10V 1% dimming	BLK	Black	PC	Pendant Cable
				W	White	SM	Surface Mount
9	Beam Spread	10	Circuit	11	Options		
SP	24° Beam	NA	None	NA	None		
FL	34° Beam	EMPCK	Emergency battery pack Supplied in a dual remote enclosure with the LED driver	HEX	Hex Louver		
WFL	42° Beam	EMCKT	Emergency circuit May require additional power feeds				

Performance

Output ¹	Watts	Lumens
Medium	10	835

¹Based on 8" tall fixture, WFL beam spread, 90 CRI, and 3500K luminaire using one driver.
Custom outputs available. Please consult factory.
For 4000K multiply by 1.02; for 3000K, 0.98; for 2700K, 0.96.

Technical Information

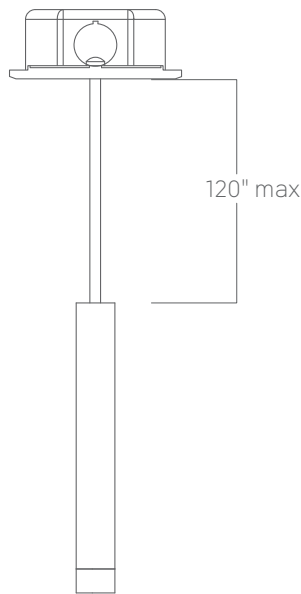


click [here](#) or scan QR code

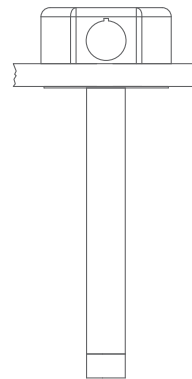
Wiring diagrams, PoE and sensor details

Drop Slim 1.5 direct

Mounting Options



Pendant Cable



Surface Mount