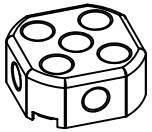


INSTALLATION GUIDE-SURFACE MOUNT/J-BOX MOUNT



Risk of fire and electrical shock. In accordance with national local building and electrical codes, CORONET lighting fixtures must be installed by a qualified electrician. Disconnect power at electrical panel before servicing.

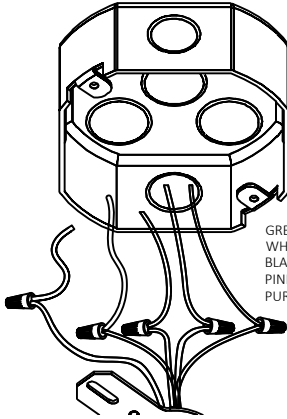
1



4" OCTAGONAL JUNCTION BOX
SECURED TO CEILING STRUCTURE
(BY OTHERS)

Junction box (not supplied) to be installed by a qualified electrician.

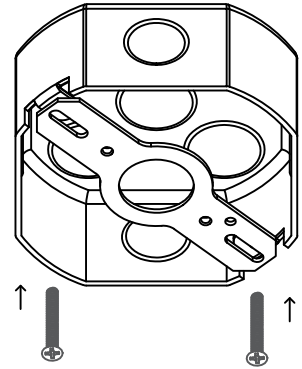
2



GREEN-GROUND
WHITE-NEUTRAL
BLACK-LINE
PINK/GRAY-0-10V DIMMABLE
PURPLE-0-10 V DIMMABLE

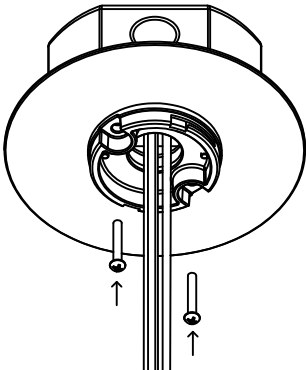
With the power to the fixture circuit off, connect the fixture power to the power feed in the junction box.
(Wire connectors by others)

3



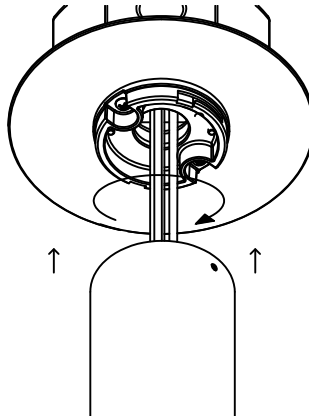
Secure cross bar to junction box using 8-32 flat head screws (not supplied).

4



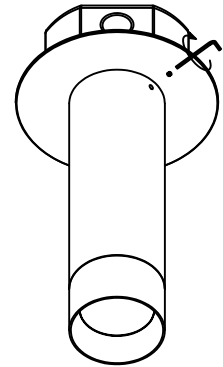
Mount junction box cover to cross bar using provided 6-32 pan head machine screw.

5



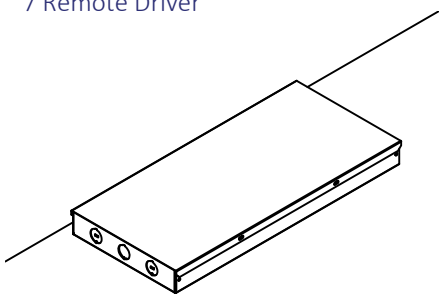
Align the LED housing with the tabs on the crossbar. Turn the housing clockwise until tight.

6



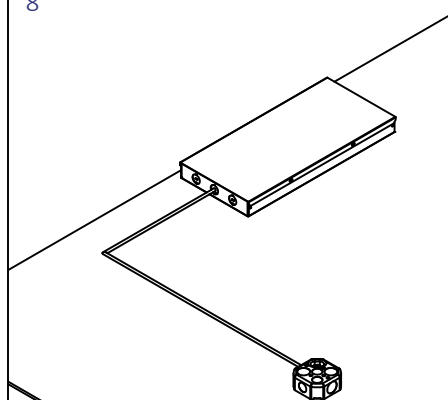
Lock housing into place by securing set screw (supplied) with allen key (supplied).

7 Remote Driver



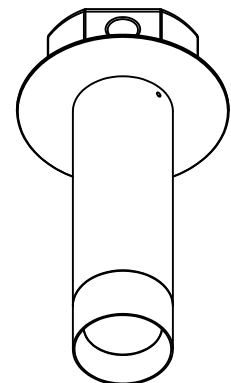
Install remote driver box near access panel.

8



Run plenum rated wire or conduit (not supplied) from remote driver housing to installed junction box.

9



Follow steps 1-5 to complete installation of downlight.

NOTE: JUNCTION BOXES MUST BE SOLIDLY FIXED TO THE CEILING AND ATTACHED TO THE STRUCTURAL MEMBER INSIDE THE CEILING BEFORE PROCEEDING WITH INSTALLATION.



Risk of fire and electrical shock. In accordance with national local building and electrical codes, CORONET lighting fixtures must be installed by a qualified electrician. Disconnect power at electrical panel before servicing.

GENERAL INSTALLATION CONSIDERATIONS

Operating Temperature.....-40°C to 50°C
Operating Voltage.....110VAC-277VAC, 50Hz-60Hz
Weight.....Varies based on size
Dimensions.....See spec sheet

- Installation by a certified electrician only.
- Read and understand the installation instructions before attempting to install or use the fixture.
- Only use fixtures with voltage for which it is rated. Do not exceed the specified voltage and current input.
- Do not use the fixture if the housing, lens, or power cable is damaged.
- Ensure that the main power supply is off before installing or wiring the fixture.
- Method of wire connection to be determined by local electrical codes and regulations.
- The external flexible cable of this luminaire cannot be field replaced; if the cord is damaged, contact Coronet.
- The light source contained in this luminaire shall only be replaced by the lighting manufacturer or his service agent or a similar qualified person.

NOTE: JUNCTION BOXES MUST BE SOLIDLY FIXED TO THE CEILING AND ATTACHED TO THE STRUCTURAL MEMBER INSIDE THE CEILING BEFORE PROCEEDING WITH INSTALLATION.