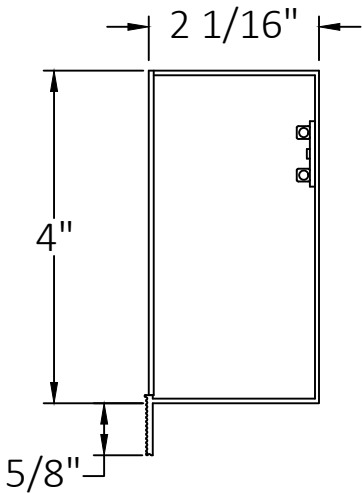


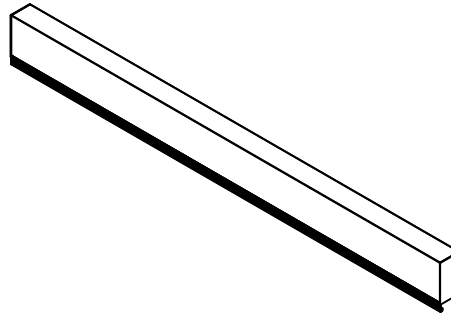


Risk of fire and electrical shock. In accordance with national local building and electrical codes, CORONET lighting fixtures must be installed by a qualified electrician. Disconnect power at electrical panel before servicing.

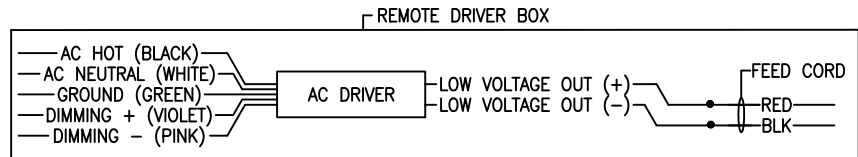
CROSS SECTION VIEW



ISOMETRIC VIEW

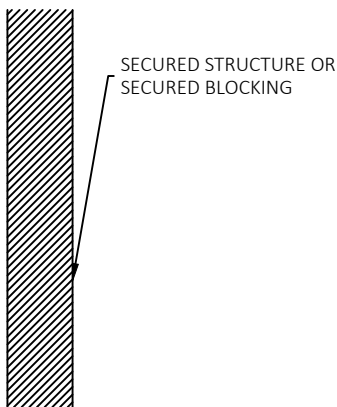


WIRING DIAGRAM



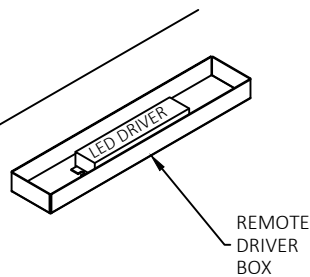
NOTE: THIS FIXTURE REQUIRES REMOTE LED DRIVERS.

1



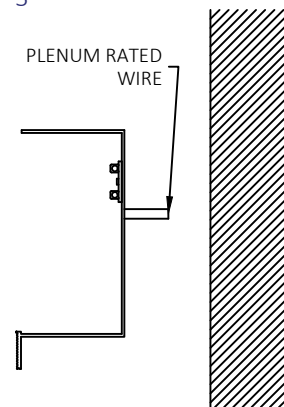
Installation of this fixture must be done before the sheetrock is installed.

2



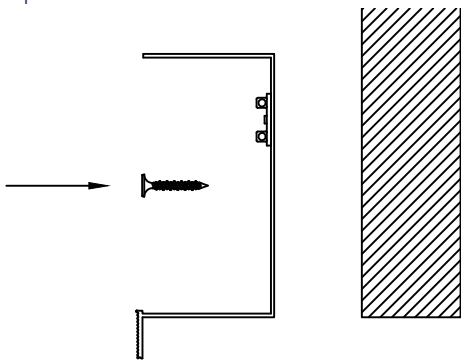
Mount the remote driver box near an access panel within 50 feet of the lighting fixture.

3



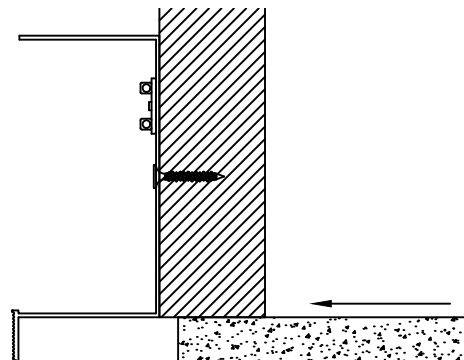
Run plenum rated wire (supplied) from fixture to remote driver location.

4



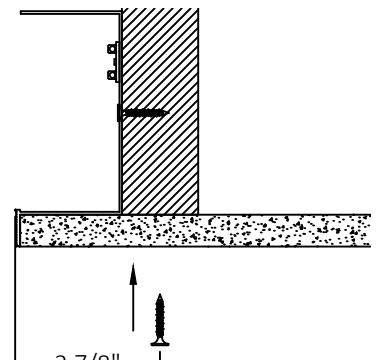
Using the predrilled holes in the extrusion, mount the fixture to the secured structure or blocking with drywall screws (not supplied).

5



Install drywall under fixture ensuring the drywall makes contact with the back of the spackle plate.

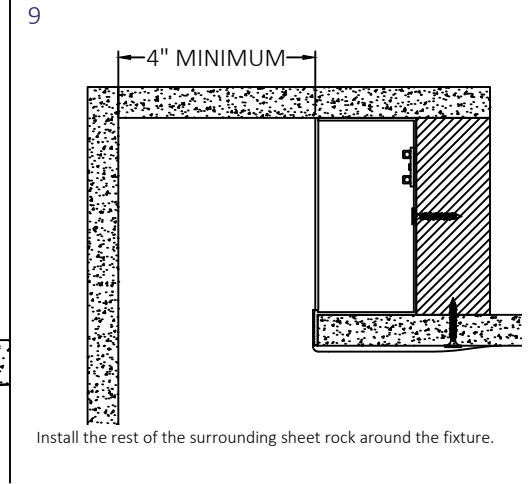
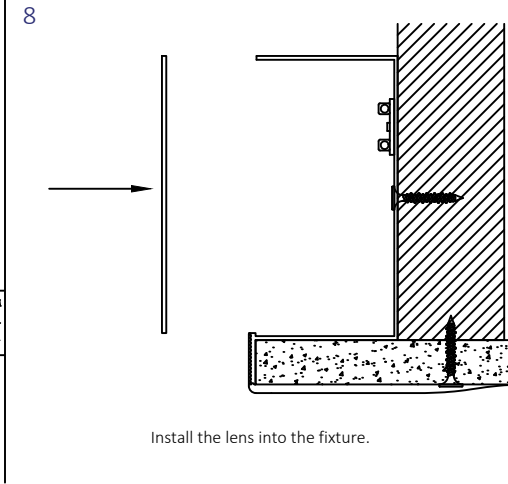
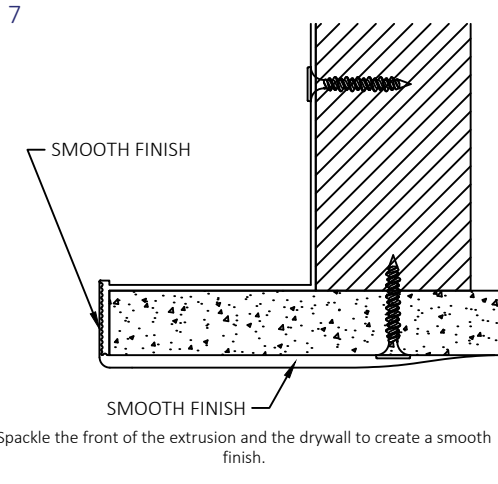
6



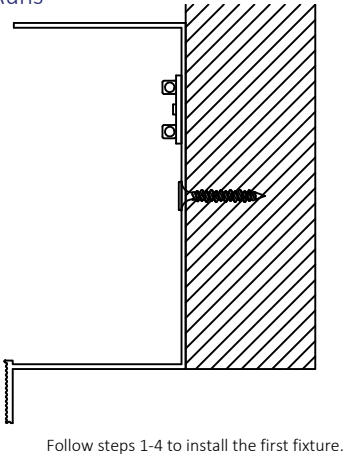
With drywall screws (not supplied), secure the drywall to the secured structure or blocking.



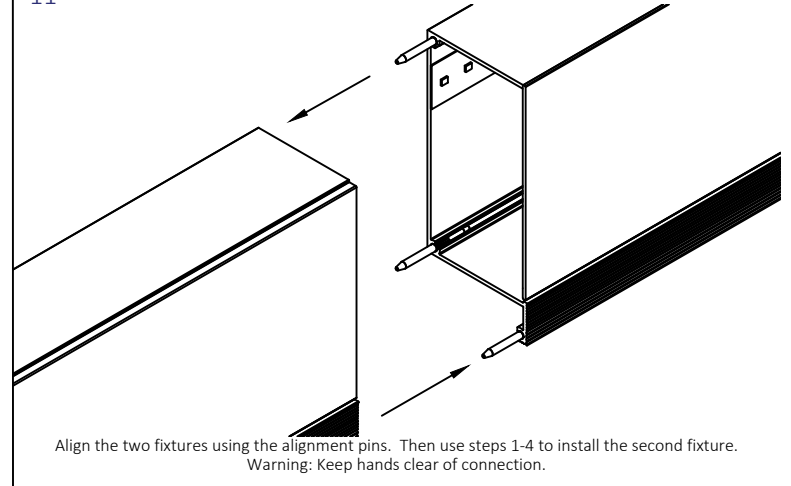
Risk of fire and electrical shock. In accordance with national local building and electrical codes, CORONET lighting fixtures must be installed by a qualified electrician. Disconnect power at electrical panel before servicing.



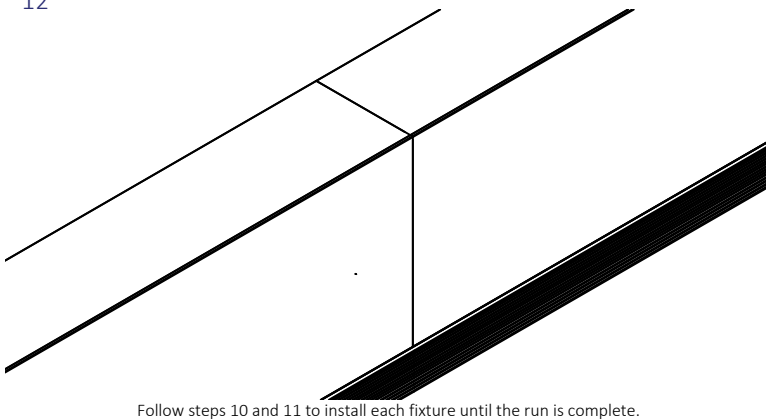
10 Continuous Runs



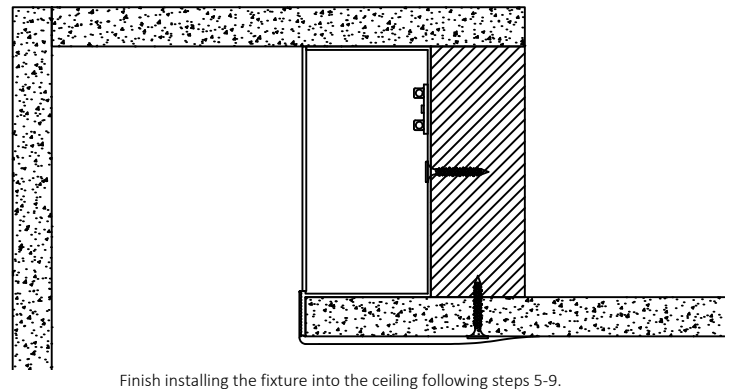
11



12



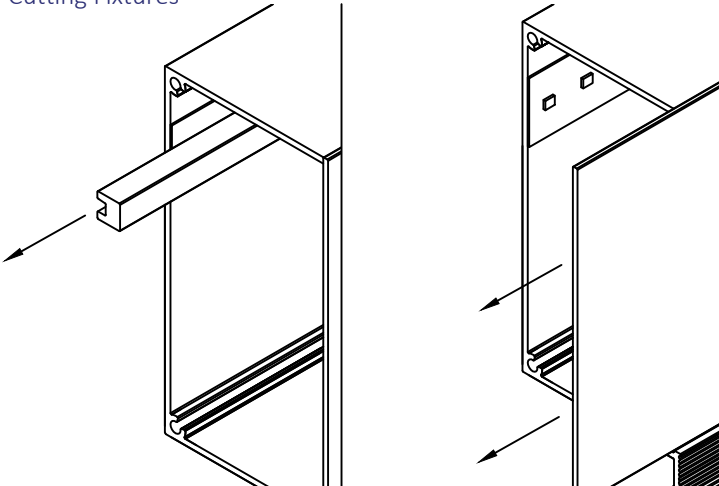
13





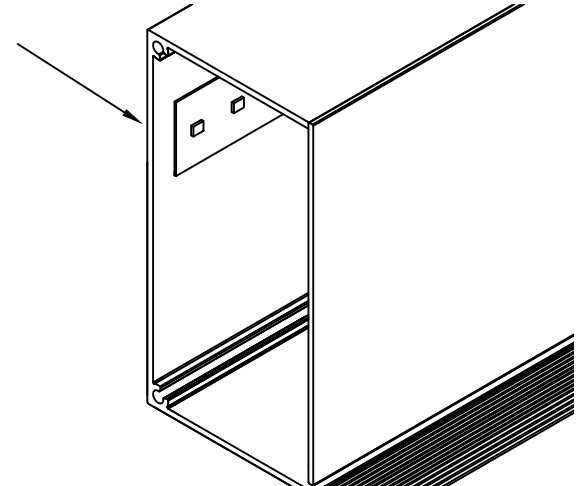
Risk of fire and electrical shock. In accordance with national local building and electrical codes, CORONET lighting fixtures must be installed by a qualified electrician. Disconnect power at electrical panel before servicing.

14 Cutting Fixtures



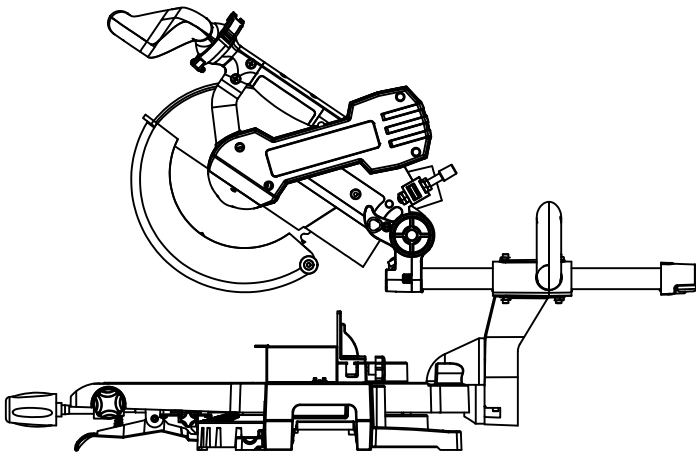
Remove the front lens and remove the over the board optic.

15



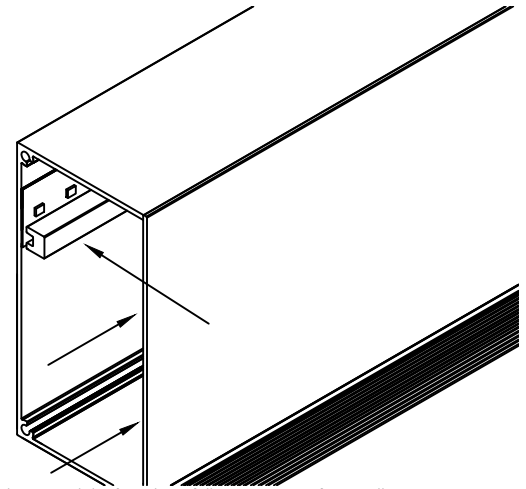
Lift the LED board from the surface of extrusion and trim using scissors or shears.
Maximum trim length is 3".
Note: Do not remove entire LED board from extrusion surface.

16



Cut down the extrusion and lens separately to match the length needed to fill in the end of the run.
Note: Must use miter saw with aluminum cutting blade.
WARNING: DO NOT CUT THE LED BOARD WITH THE MITER SAW.

17



Reinstall over the board optic and the front lens, follow steps 1-13 for installation.

GENERAL INSTALLATION CONSIDERATIONS

Operating Temperature.....-40°C to 50°C
Operating Voltage.....110VAC-277VAC, 50Hz-60Hz
Weight.....N/A
Dimensions.....See spec sheet

- Installation by a certified electrician only.
- Read and understand the installation instructions before attempting to install or use the fixture.
- Only use fixtures with voltage for which it is rated. Do not exceed the specified voltage and current input.
- Do not use the fixture if the housing, lens, or power cable is damaged.
- Ensure that the main power supply is off before installing or wiring the fixture.
- Method of wire connection to be determined by local electrical codes and regulations.
- The external flexible cable of this luminaire cannot be field replaced; if the cord is damaged, contact Coronet.
- The light source contained in this luminaire shall only be replaced by the lighting manufacturer or his service agent or a similar qualified person.