



Our Performance Decorative luminaires offer a variety of decorative forms and sizes suitable for any modern space.

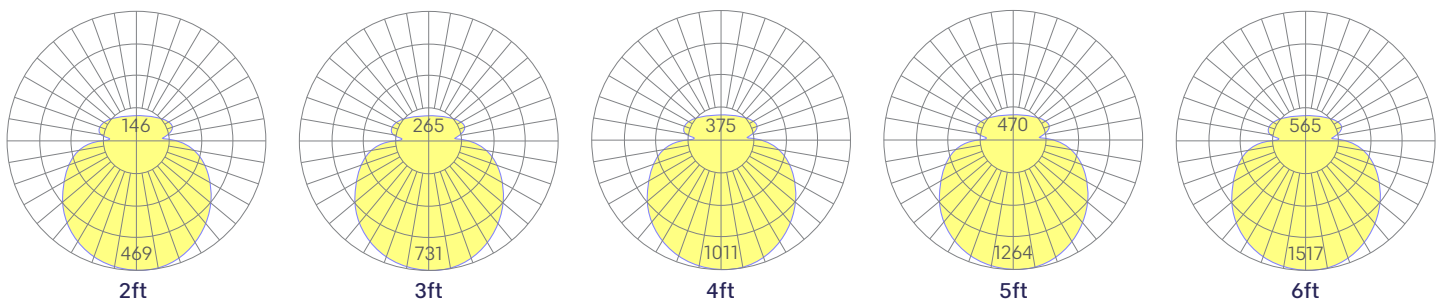
Features

- Rolled polyethylene with 0.035" exposed metal backplate
- Available in multiple sizes
- 25% indirect, 75% direct distribution
- Specifiable color temperature. CRI > 90, R9 >50
- Specifiable dimmable drivers or PoE
- 5 Year, 50,000 hour warranty, damp location rated
- WELL Building Standard compatible [learn more](#)

Dimensions



Optics



Representative distribution and peak candela. For other options see order information or IES files [here](#).

Ordering Information

- - - - - - - - - - - -

Example: DONA - X - 35 - MED - UNV - DB - W - AC - SD - CCS - DAYCKT - NA

Fixture ID <input type="text" value="1"/>	Size <input type="text" value="2"/>	Color Temperature <input type="text" value="3"/>	Output <input type="text" value="4"/>
DONA	2 2 ft nominal 3 3 ft nominal 4 4 ft nominal 5 5 ft nominal 6 6 ft nominal	30 3000K/90 CRI 35 3500K/90 CRI	MED Medium output
Voltage <input type="text" value="5"/>	Driver <input type="text" value="6"/>	Finish <input type="text" value="7"/>	Mounting <input type="text" value="8"/>
UNV Universal (120/277V)	DB Standard 0-10V 1% DB.1% 0-10V 0.1% ELV ² Reverse Phase 1% (120V only) TRI ² Forward phase (120V only) LDE1 Lutron Digital EcoSystem DALI DALI-2 Driver PoE Power over Ethernet. DMX ¹ DMX512 <small>¹Set to default address 001. RDM capable. Contact us for other addressing needs. ²For compatible dimmers, click here.</small> All drivers remote	W White	ACP Power Over Aircraft Cable <small>White canopy provided. Must specify other requests.</small>
Optics <input type="text" value="9"/>	Sensors/Controls <input type="text" value="10"/>	Circuit <input type="text" value="11"/>	Options <input type="text" value="12"/>
SD Standard Diffuser	NA None ACM Acuity nLight Module Only CCS Casambi Module AWNR Lutron Athena Wireless Node Module <small>All control systems are remote. Consult factory for other options.</small>	NA None EMPCK Emergency Battery Pack EMCKT Emergency Circuit DAYCKT Daylight Circuit	STD White Canopy CAN-X ¹ Canopy + color <small>¹See finish options here.</small>

Performance

Output ¹	Watts	Lumens
Medium (2ft)	36	2605
Medium (3ft)	60	4136
Medium (4ft)	80	5936
Medium (5ft)	100	7420
Medium (6ft)	120	8904

¹Based on a typically configured 90 CRI, 3500K luminaire using one driver.

Custom outputs available. Please consult factory.
For 4000K multiply by 1.05; for 3000K 0.9; for 2700K, 0.92.

Technical Information



click [here](#) or scan QR code

Wiring diagrams, PoE and sensor details

Modification date: September 2022



Dona

Emergency Back-Up

Emergency, battery-powered drivers are available. Emergency circuits for use with building generators are also available.

Drivers & Electrical

Dimmable drivers are supplied in remote enclosures.

PoE (Power over Ethernet)

Compatible with virtually all PoE systems including Molex Coresync, Igor, Smartengine, Platformatics, and NuLED SPICEbox. Consult Factory for systems not listed, See [here](#) for more info.

Weight

2ft = 6.5 lbs
3ft = 9.0 lbs
4ft = 12.5 lbs
5ft = 16 lbs
6ft = 19 lbs

Mounting

Optics

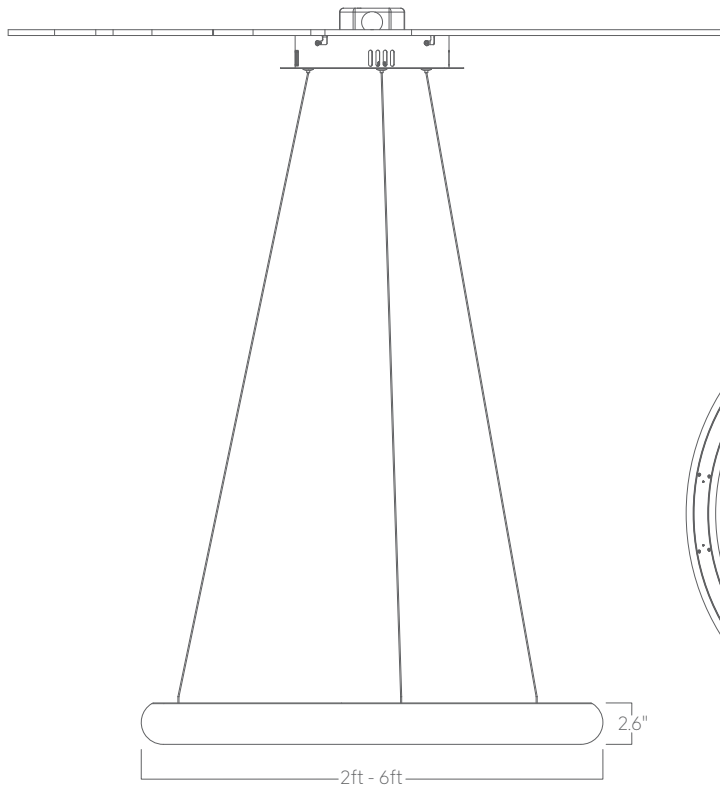
Laser-cut, cast, high-transmission acrylic lens with no LED imaging.

Construction

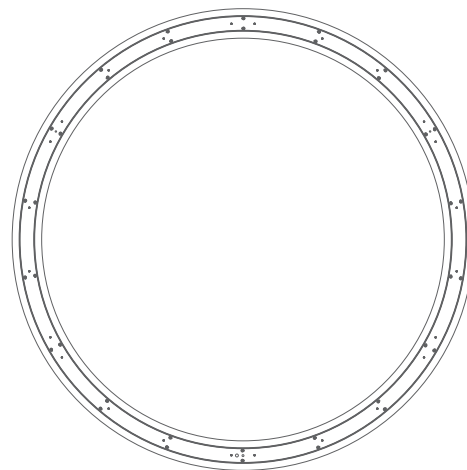
Rolled polyethylene with 0.6" wide metal backplate.

Finishes

All luminaires are finished in high quality polyester powder coating. Our standard color is white. Other colors are available for the canopy only.



Power over Aircraft cable (Side View)



Top View