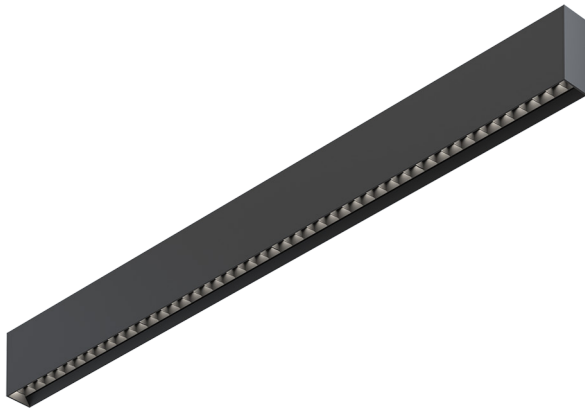


LS1 Sharp Bevel indirect/direct

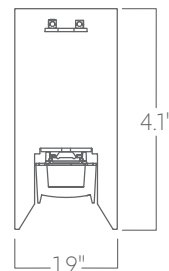


The Sharp Series of architectural luminaires features slim profiles, glare free, beam shaping optical cells and several mounting options. Custom lengths are tailored to suit any modern space. Amazing Throw Optic available for 45° asymmetric distribution.

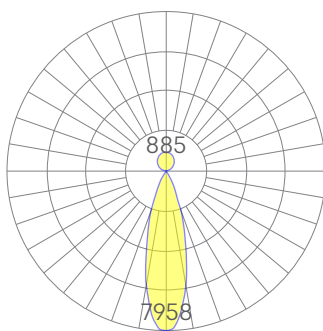
Features

- Extruded, recycled aluminum housing
- Glare free, beam shaping optical cells
- Aluminum core LED boards, specifiable optics
- Specifiable color temperature. CRI > 90, R9 >50
- Custom finishes available
- Specifiable dimmable drivers or PoE
- 5 Year, 50,000 hour warranty, damp location rated
- WELL Building Standard compatible [learn more](#)

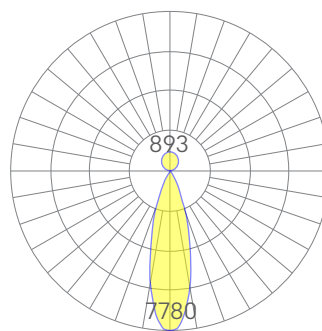
Dimensions



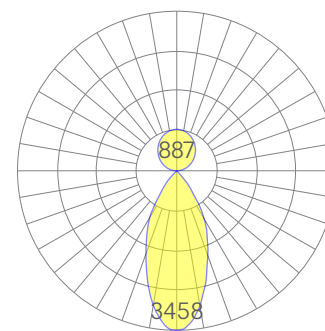
Optics



spot



flood

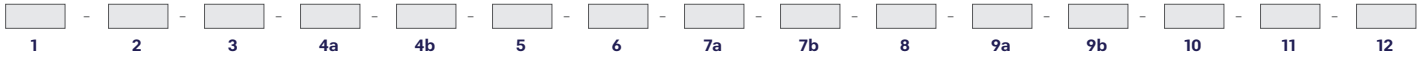


wide flood

Representative distribution and peak candela. For other options see order information or IES files [here](#).

LS1 Sharp Bevel indirect/direct

Ordering Information



Example: LS1 SHARP UPDN BEVEL - 8 - 35 - MED - MED - UNV - DB - W - W - AC - FL - WFL - CCS - DAYCKT - NA

Fixture ID <input type="text" value="1"/>	Length <input type="text" value="2"/>	Color Temperature <input type="text" value="3"/>	Output <input type="text" value="4a-"/> <input type="text" value="4b-"/>
LS1 SHARP UPDN BEVEL	2 2 ft 4 4 ft 8 8 ft X'X" ¹ Specify Length <small>¹Custom lengths available in 12" nominal increments</small>	27 2700K/90 CRI 30 3000K/90 CRI 35 3500K/90 CRI 40 4000K/90 CRI	4a - Indirect LOW Low output MED Medium output HIGH High output CUST Custom output ¹ 4b - Direct LOW Low output MED Medium output HIGH High output CUST Custom output ¹ <small>¹consult factory</small>
Voltage <input type="text" value="5"/>	Driver <input type="text" value="6"/>	Finish <input type="text" value="7a-"/> <input type="text" value="7b-"/>	Mounting <input type="text" value="8"/>
UNV 347V¹ Universal (120/277V) 347V <small>¹Must use DB Driver</small>	DB Standard 0-10V 1% DB.1% 0-10V 0.1% ELV² Reverse Phase 1% (120V only) TRI² Forward phase (120V only) LDE1 Lutron Digital EcoSystem DALI DALI-2 Driver PoE Power over Ethernet. DMX¹ DMX512 <small>¹Set to default address 001. Contact us for other addressing needs. ²For compatible dimmers, click here.</small>	7a - Housing W White BLK Black CC¹ Custom Color 7b - Louver W White BLK Black <small>¹Custom Color. See finish options here. White SJ cord and canopy provided; for other requests, see section 12 to specify.</small>	AC Aircraft Cable (50") AC3.5 3.5" canopy + jbox adaptor ¹ ACPC² Aircraft cable to Conduit Pipe Canopy PS-X Pendant Stem (12", 18", 24", 36", 48") <small>¹Adaptor must be mudded-in. White stems and canopy provided unless otherwise specified in options (section 12). ²Not available with Power Over Aircraft Cable.</small>
Optics <input type="text" value="9a-"/> <input type="text" value="9b-"/>	Sensors/Controls <input type="text" value="10"/>	Circuit <input type="text" value="11"/>	Options <input type="text" value="12"/>
9a - Indirect FL Flat Diffuser AVI BAT 120° Batwing AVI ASY Asymmetric Optic 9b - Direct SP 24° Beam FL 30° Beam WFL 44° Beam	NA None ACM Acuity nLight Module Only CCS Casambi Module AWNRR Lutron Athena Wireless Node Module <small>All control systems are remote. Consult factory for other options.</small>	NA None DC¹ Dual Circuit (separate indirect/direct control) EMPCK Emergency battery pack EMCKT¹ Emergency circuit DAYCKT¹ Daylight circuit <small>¹May require additional power feeds. Consult factory</small>	STD White Canopy + White Cord CAN-X¹ Canopy + color SJ-X² SJ Cord + color <small>¹See finish options here. ²SJ Cord only available in White or Black.</small>

Performance

Output ¹	indirect		direct	
	Watts/ft	Lumens/ft	Watts/ft	Lumens/ft
Low	5	488	5	419
Medium	8	640	8	608
High	10	884	10	800

¹Based on a typically configured 90 CRI, 3500K luminaire using one driver.

Custom outputs available. Please consult factory.
For 4000K multiply by 1.05; for 3000K 0.96; for 2700K, 0.92.

Technical Information



click [here](#) or scan QR code

Wiring diagrams, PoE and sensor details

Modification date: May 2023

Page 2 of 4

LS1 Sharp Bevel indirect/direct

Drivers & Electrical

Integral, dimmable drivers are supplied in enclosures.

Emergency Back-Up

For fixtures three-feet or longer, a 4W integral emergency driver may be wired to 4ft sections. 7W, 10W, and 12W drivers are also available (not all integral; consult factory). Emergency circuits for use with building generators are also available.

PoE (Power over Ethernet)

Compatible with virtually all PoE systems including Moxel Coresync, Igor, Smartengine, Platformatics, and NuLED SPICEbox. Consult Factory for systems not listed, See [here](#) for more info.

Finishes

All luminaires are finished in high quality polyester powder coating. Our standard color is white. Any RAL color may be specified.

Weight

3 lbs per foot

Optics

Glare free, beam shaping optical cells.

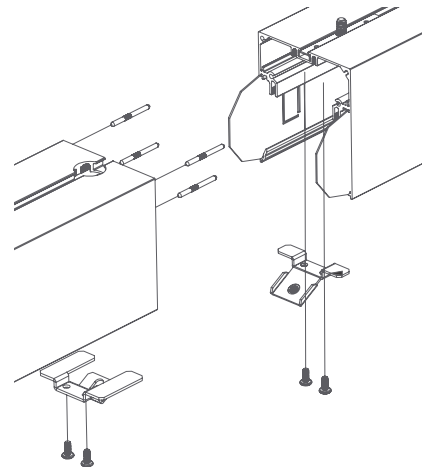
Construction

Extruded, recycled aluminum housing with formed steel ends.

Joined runs

Runs of any length* may be specified and are comprised of multiple, factory-engineered, joined sections. Individually specified luminaires are not field joinable.

*Custom lengths available in 12" nominal increments

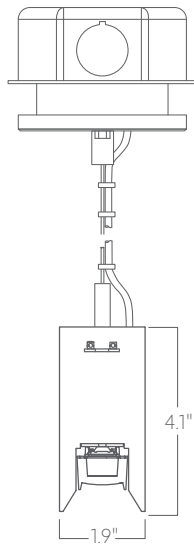


Representative joinery. For product specific details see installation guides or submittal drawings.

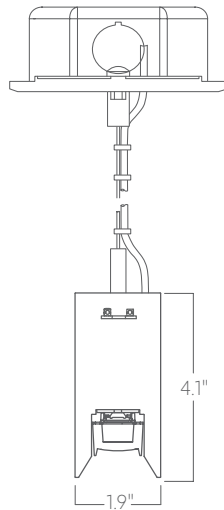
LS1 Sharp Bevel indirect/direct

Mounting Options

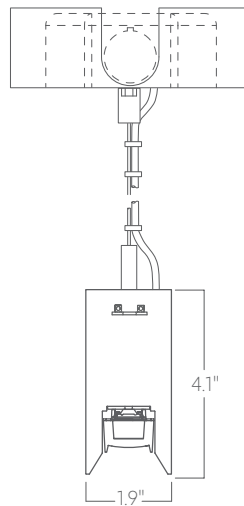
Custom mounting types and ceiling transitions available; consult factory.



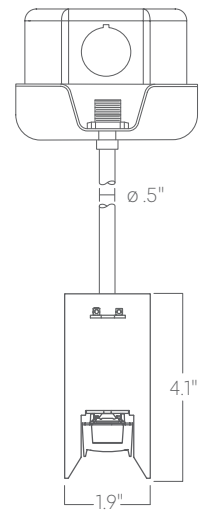
**Aircraft cable
3.5" canopy**



**Aircraft cable
5" canopy**



**Aircraft cable
Conduit canopy
with knockouts**



Pendant stem