

CRD1 wall mount

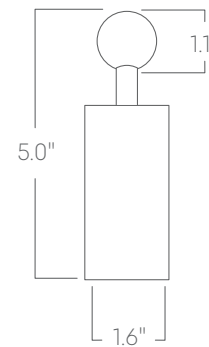


This completely modular, highly customizable and flexible luminaire suits any modern space.

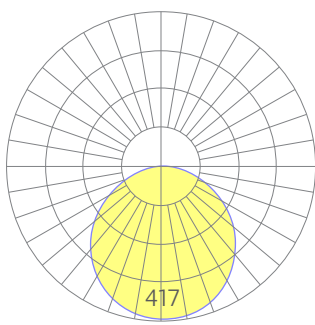
Features

- Extruded aluminum housing
- Components rotate 360° for direct or indirect lighting
- Aluminum core LED boards
- Specifiable color temperature. CRI > 90, R9 >50
- Specifiable dimmable drivers or PoE
- 5 Year, 50,000 hour warranty, damp location rated
- Well Building Standard compatible [learn more](#)

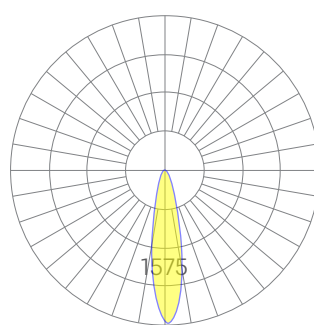
Dimensions



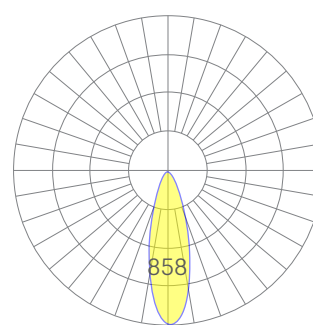
Optics



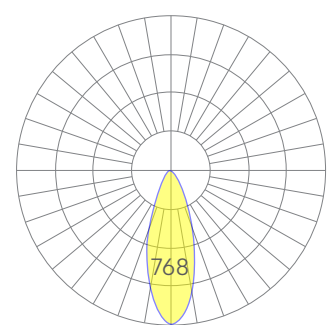
Linear



Spot, narrow beam



Spot, medium beam



Spot wide beam

Representative distribution and peak candela. For other options see order information. See IES files [here](#).

CRD1 wall mount

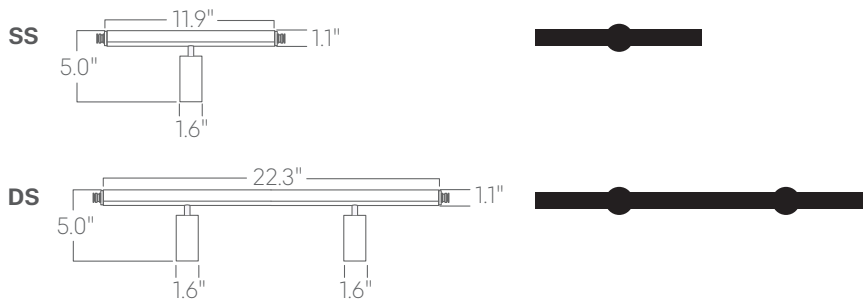
Components

Specify quantities of each optional component according to the order grid on page 2. Along with your order please submit a sketch indicating arrangement of components. See example below.

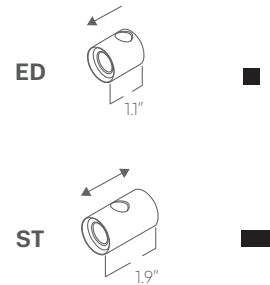
Tubes



Spots



Connectors



Sample Sketch



CRD1 wall mount

Ordering Information



Sample Order Code **CRD1S - 2ft\1 ; 4ft\1 - DS\1 - ED\2 ; AA\2 - 27 - MED - UNV - DR - BLK - 12 - SD - NB - EMPKT**

Fixture ID	<input type="text" value="1"/>	Tube\Quantity	<input type="text" value="2"/>	Spot\Quantity	<input type="text" value="3"/>	Hubs\Quantity	<input type="text" value="4"/>
CRD1WM		NA No Tubes 2\ 2 ft\quantity 4\ 4 ft\quantity 6\ 6 ft\quantity		NA No Spots SS\ Single spot unit\quantity of units DS\ Double spot unit\quantity of units		ED\ End\quantity ST\ Straight Connector\quantity	
							Power feeds are required every 12'. Locations determined by factory.
Color Temperature	<input type="text" value="5"/>	Output	<input type="text" value="6"/>	Voltage	<input type="text" value="7"/>	Driver	<input type="text" value="8"/>
27 2700K/90 CRI 30 3000K/90 CRI 35 3500K/90 CRI		MED Medium output		UNV Universal (120/277V)		DR Constant Voltage Driver, 0-10v Dimming ELV/TRI\% Constant Voltage Driver, 2-wire, Forward/ Reverse phase Dimming (120V only)	
							Factory will determine required driver power and quantity
Finish	<input type="text" value="9"/>	Arm Length	<input type="text" value="10"/>	Optics	<input type="text" value="11a"/> - <input type="text" value="11b"/>	Circuit	<input type="text" value="12"/>
BLK Black W White		6 6" arms 12 12" arms 18 18" arms 24 24" arms		11a - Spot Modules NA Not Applicable (no spots specified) NB Narrow Beam, 20° MB Medium Beam, 29° WB Wide Beam, 34° 11b - Linear Downlight SD Flat Diffuser ASYM Asymmetric Optic		NA None EMPCK Emergency Battery Pack EMCKT Emergency Circuit	
				To specify combinations of beam spreads, indicate beam per spot on configuration sketch submitted with order.		EH sections are fixed in position at the factory by code and must be marked on the submittal drawing.	

*When ordering, please submit sketch indicating arrangement of components.

Performance

Tube

Output ¹	Watts/ft	Lumens/ft
Medium	6	400

Spot

Output ¹	Watts	Lumens
Medium	6	357

¹Based on a typically configured 90 CRI, 3500K luminaire using one driver.

Technical Information



click [here](#) or scan QR code

Wiring diagrams, PoE and sensor details

Modification date: October 2022

Page 3 of 4

CRD1 wall mount

Drivers & Electrical

Constant voltage, 0-10v dimmable drivers are provided in remote enclosures.

Emergency Back-Up

A 4W emergency driver may be wired to 4ft linear modules only and will be fixed in place. 7W, 10W, and 12W drivers are also available. All EMBs are remote. Emergency circuits for use with building generators are also available.

Finishes

All luminaires are finished in high quality polyester powder coating.

Weight

1.5lbs per foot (excludes spots)

Optics

Extruded satin acrylic lenses provide excellent diffusion, high transmission, and no LED imaging.

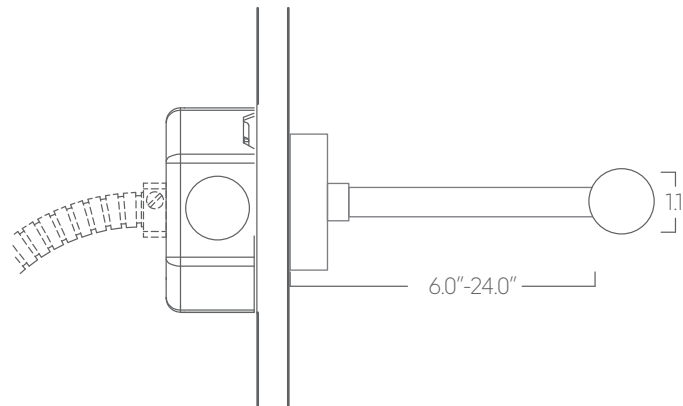
Construction

Housings are extruded aluminum.
End caps are cast aluminum.

Joined Runs

Runs or patterns may be specified and comprised of modular tubes, spots, and connectors.

Mounting



Wall mount