

# CRD1 suspended

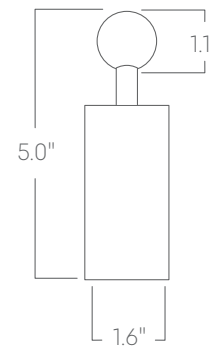


This completely modular, highly customizable and flexible luminaire suits any modern space.

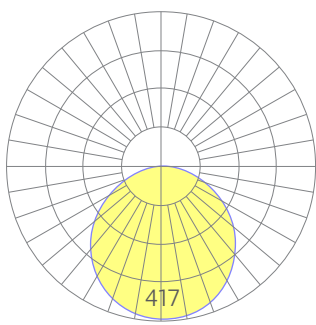
## Features

- Extruded aluminum housing
- Components rotate 360° for direct or indirect lighting
- 120° articulating joiner for creating unlimited patterns
- Aluminum core LED boards
- Specifiable color temperature. CRI > 90, R9 >50
- Specifiable dimmable drivers or PoE
- 5 Year, 50,000 hour warranty
- Well Building Standard compatible [learn more](#)

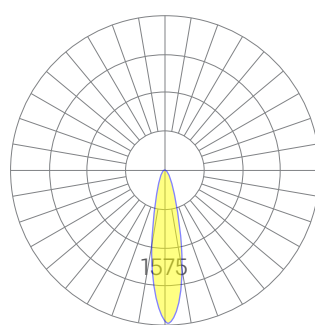
## Dimensions



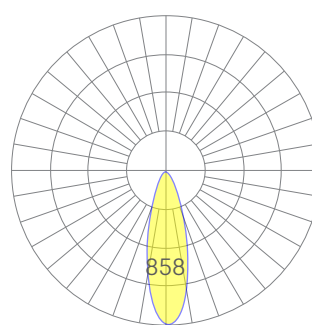
## Optics



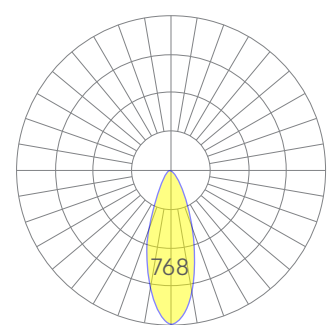
Linear



Spot, narrow beam



Spot, medium beam



Spot wide beam

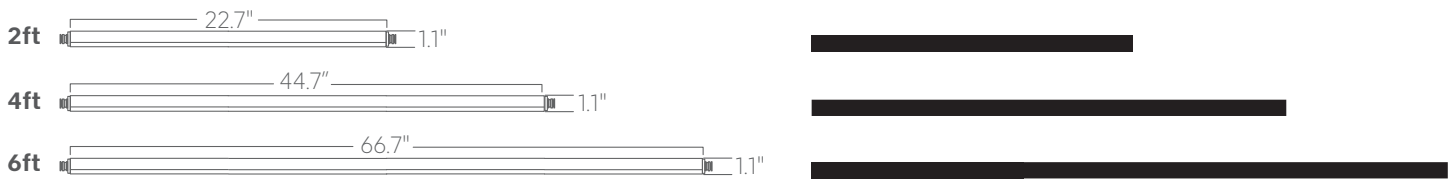
Representative distribution and peak candela. For other options see order information. See IES files [here](#).

# CRD1 suspended

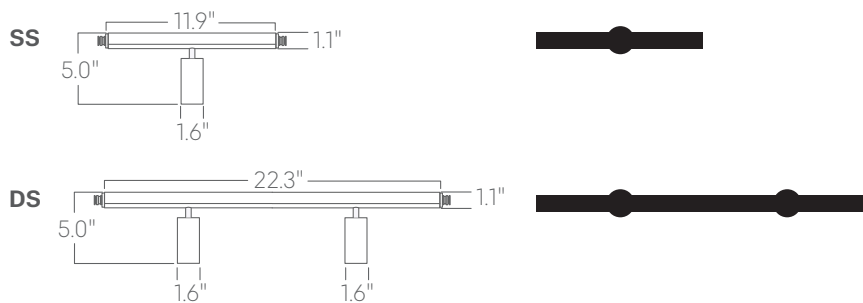
## Components

Specify quantities of each optional component according to the order grid on page 2. Along with your order please submit a sketch indicating arrangement of components. See example below.

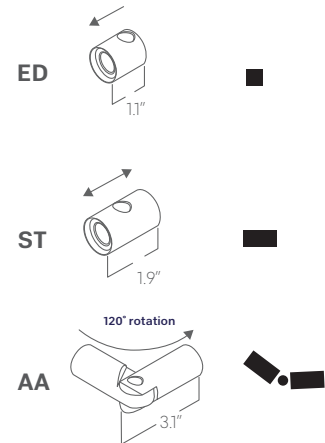
### Tubes



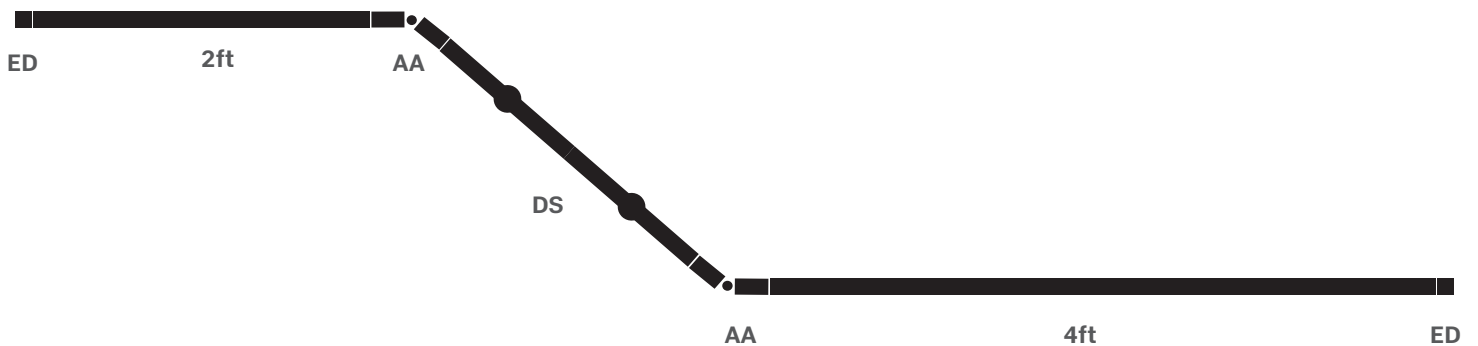
### Spots



### Connectors



### Sample Sketch



# CRD1 suspended

## Ordering Information



Sample Order Code **CRD1S - 2ft\1 ; 4ft\1 - DS\1 - ED\2 ; AA\2 - 27 - MED - UNV - DR - BLK - AC - NB - EM120V**

<b>Fixture ID</b> <input type="text" value="1"/>	<b>Tube/Quantity</b> <input type="text" value="2"/>	<b>Spot/Quantity</b> <input type="text" value="3"/>	<b>Hubs/Quantity</b> <input type="text" value="4"/>
CRD1S	<b>NA</b> No Tubes <b>2\</b> 2 ft\quantity <b>4\</b> 4 ft\quantity <b>6\</b> 6 ft\quantity	<b>NA</b> No Spots <b>SS\</b> Single spot unit\quantity of units <b>DS\</b> Double spot unit\quantity of units	<b>ED\</b> End\quantity <b>AA\</b> Adjustable Angle\quantity <b>ST\</b> Straight Connector\quantity
<small>Power feeds are required every 12'. Locations determined by factory.</small>			
<b>Color Temperature</b> <input type="text" value="5"/>	<b>Output</b> <input type="text" value="6"/>	<b>Voltage</b> <input type="text" value="7"/>	<b>Driver</b> <input type="text" value="8"/>
<b>27</b> 2700K/90 CRI <b>30</b> 3000K/90 CRI <b>35</b> 3500K/90 CRI	<b>MED</b> Medium output	<b>UNV</b> Universal (120/277V)	<b>DR</b> Constant Voltage Driver, 0-10v Dimming <b>ELV/TRI\%</b> Constant Voltage Driver, 2-wire, Forward/ Reverse phase Dimming (120V only)
<small>Factory will determine required driver power and quantity</small>			
<b>Finish</b> <input type="text" value="9"/>	<b>Mounting</b> <input type="text" value="10"/>	<b>Spot Optics</b> <input type="text" value="11"/>	<b>Circuit</b> <input type="text" value="12"/>
<b>BLK</b> Black <b>W</b> White	<b>AC</b> Aircraft Cable (50')	<b>NA</b> Not Applicable (no spots specified) <b>NB</b> Narrow Beam, 20° <b>MB</b> Medium Beam, 29° <b>WB</b> Wide Beam, 34°	<b>NA</b> None <b>EM120V</b> Emergency Pack <b>EM277V</b> Emergency Pack <b>EMCKT</b> Emergency Circuit <b>DC</b> Dual Circuit
<small>White canopies provided.</small>		<small>To specify combinations of beam spreads, indicate beam per spot on configuration sketch submitted with order.</small>	
<small>E'H sections are fixed in position at the factory by code and must be marked on the submittal drawing.</small>			

## Performance

### Tube

Output <sup>1</sup>	Watts/ft	Lumens/ft
Medium	6	400

### Spot

Output <sup>1</sup>	Watts	Lumens
Medium	6	357

<sup>1</sup>Based on a typically configured 90 CRI, 3500K luminaire using one driver.

## Technical Information



click [here](#) or scan QR code

Wiring diagrams, PoE and sensor details

Modification date: July,2022

# CRD1 suspended

## Drivers & Electrical

Constant voltage, 0-10v dimmable drivers are provided in remote enclosures.

## Emergency Back-Up

A 4W emergency driver may be wired to 4ft linear modules only and will be fixed in place. 7W, 10W, and 12W drivers are also available. All EMBs are remote. Emergency circuits for use with building generators are also available.

## Finishes

All luminaires are finished in high quality polyester powder coating.

## Weight

1.5lbs per foot (excludes spots)

## Optics

Extruded satin acrylic lenses provide excellent diffusion, high transmission, and no LED imaging.

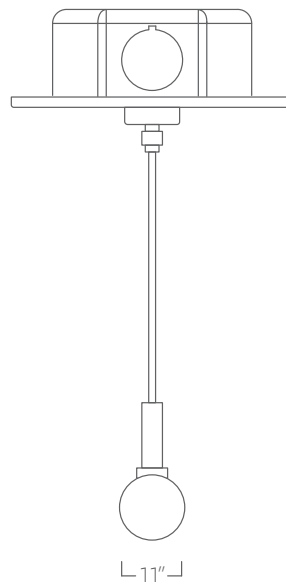
## Construction

Housings are extruded aluminum.  
End caps are cast aluminum.

## Joined Runs

Runs or patterns may be specified and comprised of modular tubes, spots, and connectors.

## Mounting



**Aircraft cable  
5" canopy**