

UF018 module

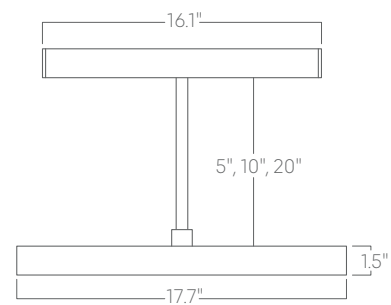


An elegant, suspended, luminous disc with optional suspension lengths.

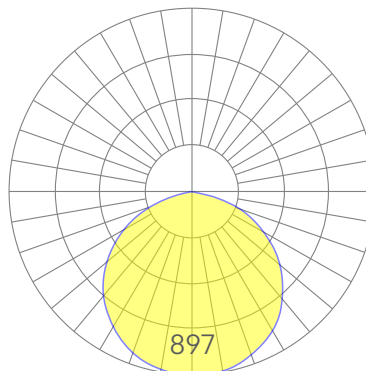
Features

- Magnetically held and easily repositioned on site
- Pendant suspended (5", 10", or 20" lengths)
- Extruded, recycled, premium aluminum housing
- Specifiable color temperature. CRI > 90, R9 >50
- 5 Year, 50,000 hour warranty

Dimensions

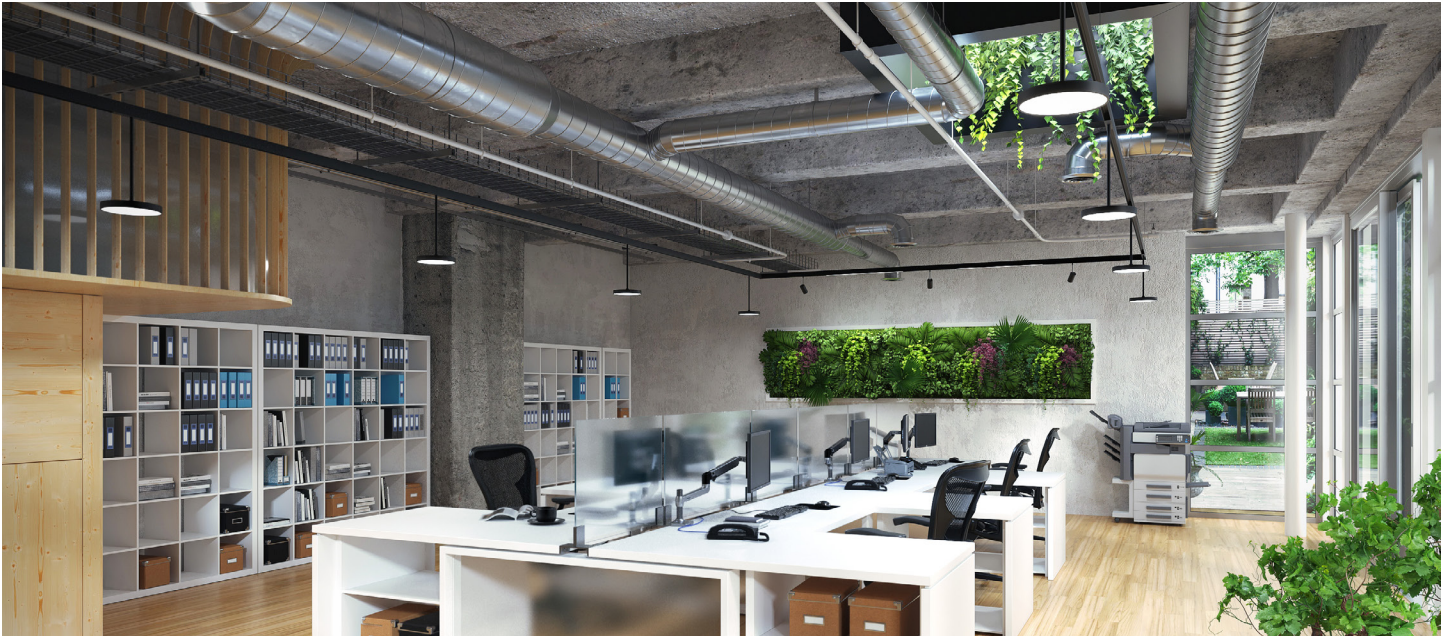


Optics



Representative distribution and peak candela. For other options see order information or IES files [here](#).

UF018 module



Ordering Information

- - - -
 1 2 3 4 5

Example: MAG-UF018 - 35 - MED - BLK - 10"

Fixture ID	1	Color Temperature	2	Output	3	Finish	4
MAG-UF018		27 2700K/90 CRI 30 3000K/90 CRI 35 3500K/90 CRI		MED Medium output		BLK Black	
Pendant Stem	5						
5" 10" 20"							

Performance

Output ¹	Watts	Lumens
Medium	39	2667

Based on a typically configured 90 CRI, 3500K luminaire using one driver.

¹For 3000k, 0.9%; for 2700k, 0.92.