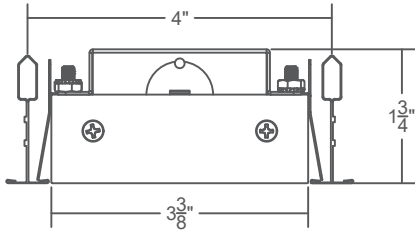


INSTALLATION GUIDE

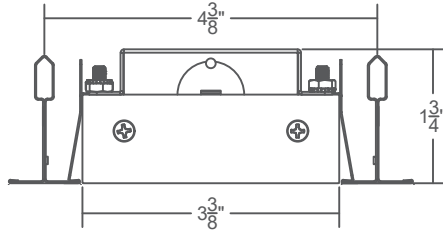


Risk of fire and electrical shock. In accordance with national local building and electrical codes, CORONET lighting fixtures must be installed by a qualified electrician. Disconnect power at electrical panel before servicing.

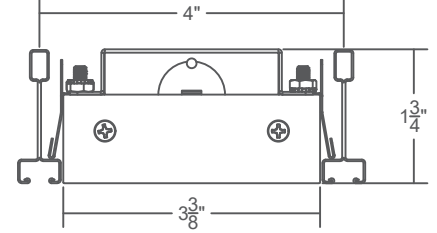
CROSS SECTION VIEW



T-GRID 9/16



T-GRID 15/16



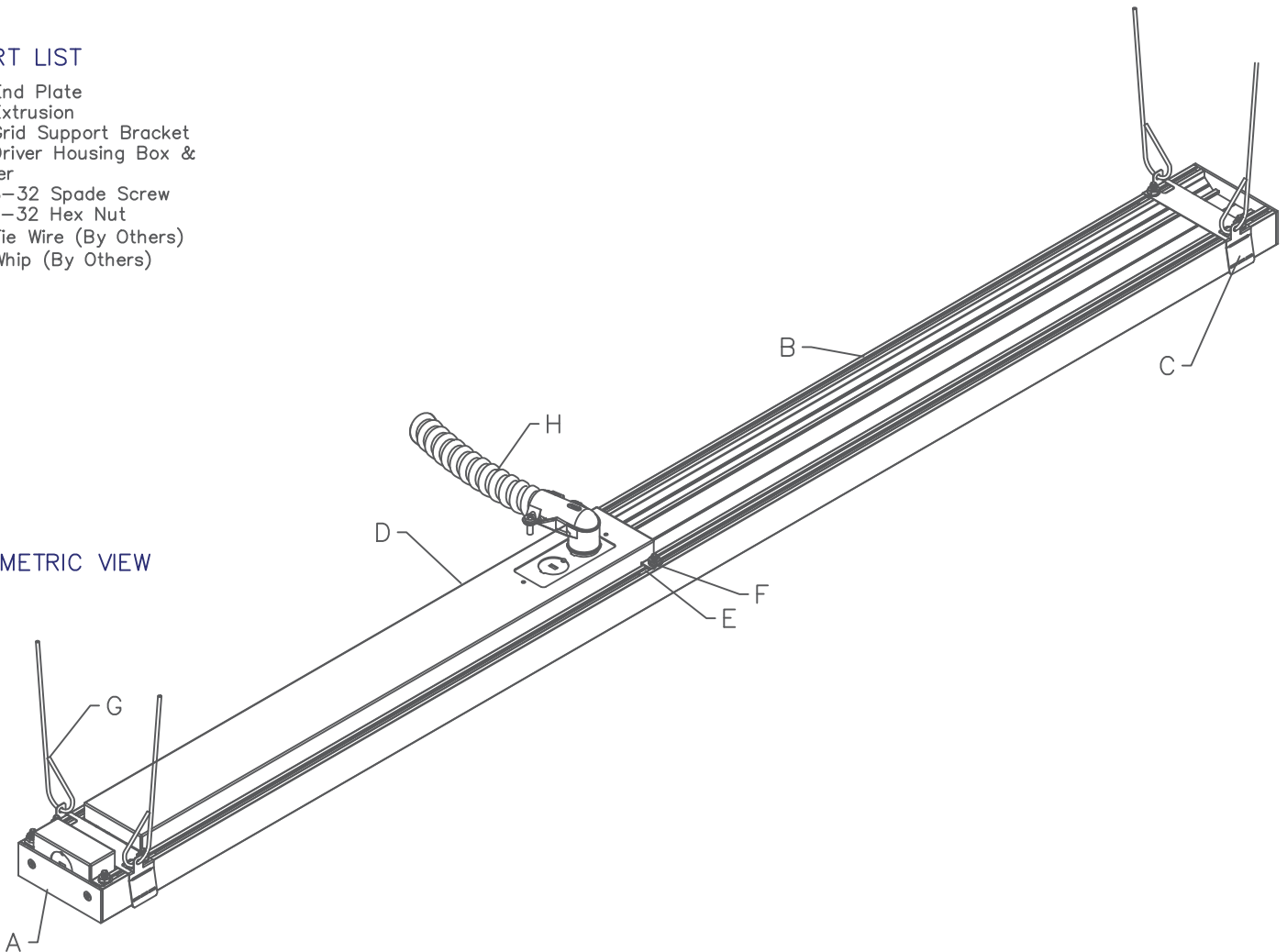
SLOT-GRID/INTERLUDE

EXPLODED VIEW

PART LIST

- A—End Plate
- B—Extrusion
- C—Grid Support Bracket
- D—Driver Housing Box & Cover
- E—8-32 Spade Screw
- F—8-32 Hex Nut
- G—Tie Wire (By Others)
- H—Whip (By Others)

ISOMETRIC VIEW



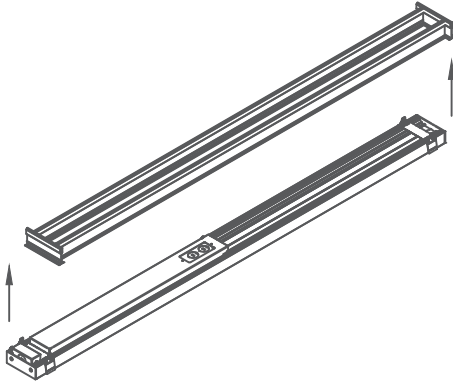
NOTE: INDIVIDUAL FIXTURES ARE NOT INTENDED FOR CONTINUOUS RUNS. ADDITIONAL SUPPORTS TO THE STRUCTURE MAY BE REQUIRED. *CHECK WITH YOUR LOCAL BUILDING CODE FOR THOSE REQUIREMENTS. TEE GRID DIMENSION IS NOT STANDARD. CONTRACTOR MUST MODIFY CEILING GRID TO FIT AROUND FIXTURE.

INSTALLATION GUIDE



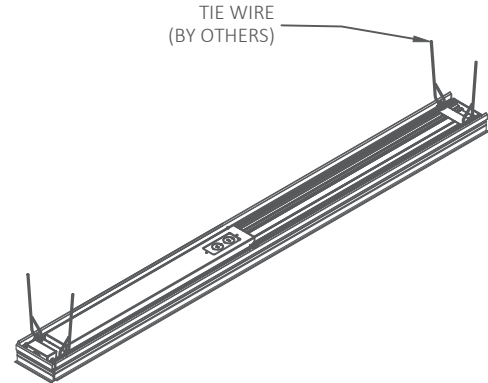
Risk of fire and electrical shock. In accordance with national local building and electrical codes, CORONET lighting fixtures must be installed by a qualified electrician. Disconnect power at electrical panel before servicing.

1



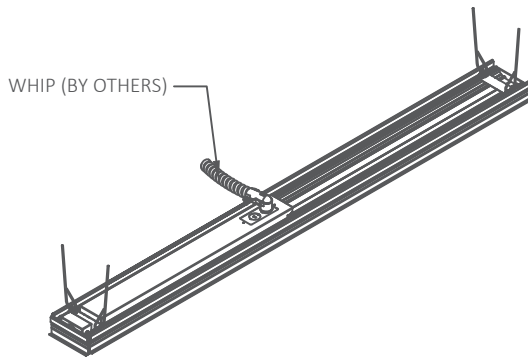
Insert the fixture into the ceiling grid and allow the brackets to rest on the ceiling grid.

2



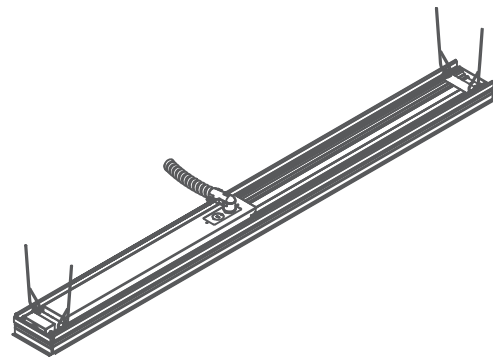
Use tie wire (by others) to secure the brackets to the building plenum.

3



Attach the WHIP to the fixture through the knockout on the side of the driver housing.

4



Power on the fixture to ensure that it operates correctly.

GENERAL INSTALLATION CONSIDERATIONS – See submittal drawings for job specific data.

Operating Temperature.....	-40°C to 50°C
Operating Voltage.....	110VAC–277VAC, 50Hz–60Hz
Weight.....	___ lb/ft
Dimensions.....	See submittal drawings

- Installation by a certified electrician only.
- Read and understand the installation instructions before attempting to install or use the fixture.
- Only use fixtures with voltage for which it is rated. Do not exceed the specified voltage and current input.
- Do not use the fixture if the housing, lens, or power cable is damaged.
- Ensure that the main power supply is off before installing or wiring the fixture.
- Method of wire connection to be determined by local electrical codes and regulations.
- The external flexible cable of this luminaire cannot be replaced; if the cord is damaged, contact Coronet.
- The light source contained in this luminaire shall only be replaced by the lighting manufacturer or his service agent or a similar qualified person.

Please contact our technical support team for assistance.