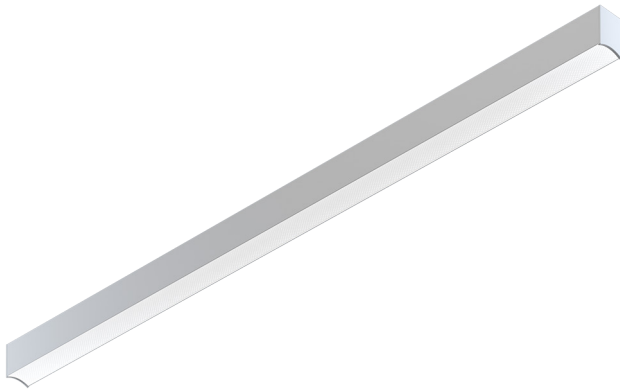


# LS4 Bow direct

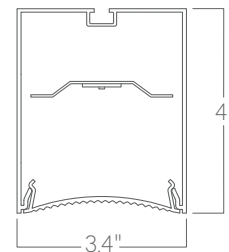


The LS Series of architectural luminaires offers a wide range of profiles and mounting options. Custom lengths and patterns are tailored to suit any modern space.

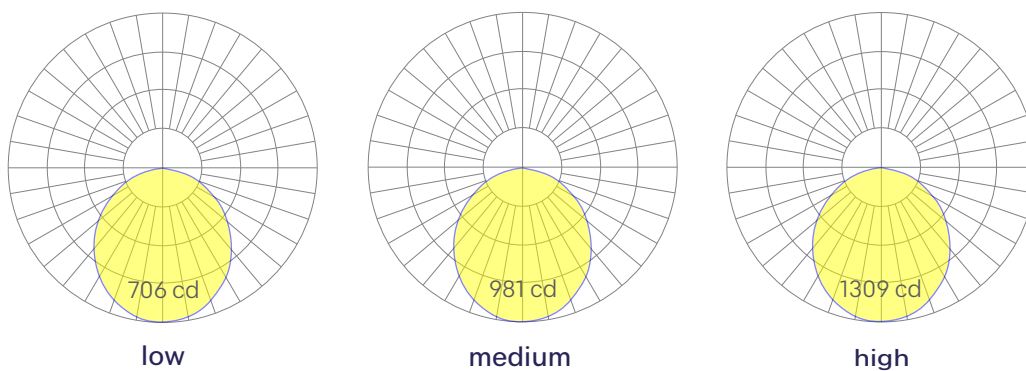
## Features

- Extruded recycled aluminum housing
- Aluminum core LED boards, specifiable optics
- Specifiable color temperature. CRI > 90, R9 >50
- Custom lengths, welded patterns, and finishes available
- Integral specifiable dimmable drivers or PoE
- 5 Year, 50,000 hour warranty, damp location rated
- WELL Building Standard compatible [learn more](#)

## Dimensions



## Optics



Representative distribution and peak candela. For other options see order information or IES files [here](#).

# LS4 Bow direct

## Ordering Information



Example: LS4 Bow - 8 - 35 - MED - UNV - DB - W - AC - CV - CCS - DAYCKT - NA

| Fixture ID               | 1                               | Length  | 2  | Color Temperature   | 3  | Output   | 4  |
|--------------------------|---------------------------------|---|----|---|----|--|----|
| LS4 Bow                  |                                 | <b>2</b> 2 ft<br><b>4</b> 4 ft<br><b>8</b> 8 ft<br><b>X'-X"</b> Specify Length <sup>1</sup><br><b>PAT</b> Pattern (Consult Factory)   |    | <b>27</b> 2700K/90 CRI<br><b>30</b> 3000K/90 CRI<br><b>35</b> 3500K/90 CRI<br><b>40</b> 4000K/90 CRI<br><b>50</b> 5000K/90 CRI<br><br><b>WD</b> <sup>1</sup> Warm Dim 2200K–3000K<br><b>TW</b> <sup>2</sup> Tunable White 2700K–6500K<br><b>RGBW30</b> <sup>3</sup> RGB +white, 3000k<br><b>RGBW35</b> <sup>3</sup> RGB +white, 3500k<br><b>RGBW40</b> <sup>3</sup> RGB +white, 4000k |    | <b>LOW</b> Low output<br><b>MED</b> Medium output<br><b>HIGH</b> High output<br><b>CUST</b> Custom output <sup>1</sup>   |    |
|                          |                                 | <sup>1</sup> Precision lengths may be specified to the nearest 1/8". All lengths are nominal unless specified to be exact.  |    | <sup>1</sup> Must use WD10 driver.<br><sup>2</sup> Must use TW10 or PSQ driver.<br><sup>3</sup> Must use remote DMX driver. "High" output not available.  |    | <sup>1</sup> consult factory   |    |
| Voltage                  | 5                               | Driver  | 6  | Finish  | 7  | Mounting   | 8  |
| UNV<br>347V <sup>1</sup> | Universal (120/277V)<br>347V    | <b>DB</b> Standard 0-10V 1%<br><b>DB.1%</b> 0-10V 0.1%<br><b>ELV</b> <sup>2</sup> Reverse Phase 1% (120V only)<br><b>TRI</b> <sup>2</sup> Forward phase (120V only)<br><b>LDE1</b> Lutron Digital EcoSystem<br><b>DALI</b> DALI-2 Driver<br><b>PoE</b> Power over ethernet<br><b>TW10</b> Dual channel, 0-10V for tunable white.<br><br><b>WD10</b> 0-10V Warm Dim<br><b>PSQ</b> Lutron T-Series 2-channel 1% for tunable white<br><b>DMX</b> <sup>1</sup> DMX512 |    | <b>W</b> White<br><b>BLK</b> Black<br><b>SLV</b> Silver<br><b>CC</b> <sup>1</sup> Custom Color<br><b>CWF</b> <sup>1</sup> Custom Wood Finish  |    | <b>AC</b> Aircraft Cable (50")<br><b>AC3.5</b> 3.5" canopy + jbox adaptor <sup>1</sup><br><b>ACPC</b> Aircraft cable to Conduit Pipe Canopy<br><b>SMHC</b> Surface Mount, Hard ceiling<br><b>SMTB</b> Surface Mount, Tbar clip<br><b>WM</b> Wall Mount<br><b>PS-X</b> Pendant Stem (12", 18", 24", 36", 48") |    |
|                          | <sup>1</sup> Must use DB Driver | <sup>1</sup> Set to default address 001. Contact us for other addressing needs. All DMX drivers provided in remote enclosures.<br><sup>2</sup> For compatible dimmers, click <a href="#">here</a> .   |    | <sup>1</sup> Custom Color. See finish options <a href="#">here</a> .<br>White SJ cord and canopy provided; for other requests, see section 12 to specify.   |    | <sup>1</sup> Adaptor must be mudded-in. White stems and canopy provided unless otherwise specified in options (section 12).  |    |
| Optics                   | 9                               | Sensors/Controls  | 10 | Circuit   | 11 | Options  | 12 |
| CV                       | Concave Lens                    | <b>NA</b> None<br><b>ACM</b> Acuity nLight Module Only<br><b>CCS</b> Casambi Module<br><b>AWNRR</b> Lutron Athena Wireless Node Module  |    | <b>NA</b> None<br><b>EMPCK</b> Emergency Battery Pack<br><b>EMCKT</b> Emergency Circuit<br><b>DAYCKT</b> Daylight Circuit   |    | <b>STD</b> White Canopy + White Cord<br><b>CAN-X</b> <sup>1</sup> Canopy + color<br><b>SJ-X</b> <sup>2</sup> SJ Cord + color   |    |
|                          |                                 | Consult factory for other options.  |    |   |    | <sup>1</sup> See finish options <a href="#">here</a> .<br><sup>2</sup> SJ Cord only available in White or Black.   |    |

## Performance

| Output <sup>1</sup> | Watts/ft | Lumens/ft | LPW |
|---------------------|----------|-----------|-----|
| Low                 | 5        | 474       | 95  |
| Medium              | 7        | 658       | 91* |
| High                | 10       | 878       | 88  |

<sup>1</sup>Based on a typically configured 90 CRI, 3500K luminaire using one driver. Custom outputs available. Please consult factory.  
For 4000K multiply by 1.05, for 3000K 0.96, for 2700K, 0.92

\*80 CRI equivalent 107 LPW

## Technical Information



click [here](#) or scan QR code

Wiring diagrams, PoE and sensor details

Modification date: July, 2023

Page 2 of 4

# LS4 Bow direct

## Drivers & Electrical

Integral drivers\* with 0-10V Dimming standard. Several other driver options available; see ordering information.

\*DMX drivers are provided in remote enclosures.

## Sensors & Controls

Sensors are installed on an aluminum plate adjacent to the luminaire lens<sup>1</sup>. Coronet remains agnostic in our approach to sensors and control systems; our fixtures are compatible with most systems offered.

<sup>1</sup>Not applicable to indirect only models. Consult factory.

## Emergency Back-Up

For fixtures three-feet or longer, a 4W integral emergency driver may be wired to 4ft sections. 7W, 10W, and 12W drivers are also available (not all integral; consult factory). Emergency circuits for use with building generators are also available.

## PoE (Power over Ethernet)

Compatible with virtually all PoE systems including Molex Coresync, Igor, Smartengine, Platformatics, and NuLED SPICEbox. Consult Factory for systems not listed, See [here](#) for more info.

## Finishes

All luminaires are finished in high quality polyester powder coating. Our standard color is white. Any RAL color may be specified.

## Weight

5 lbs per foot

## Patterns

Featuring illuminated welded corners and angles. Consult factory for custom designs.

## Optics

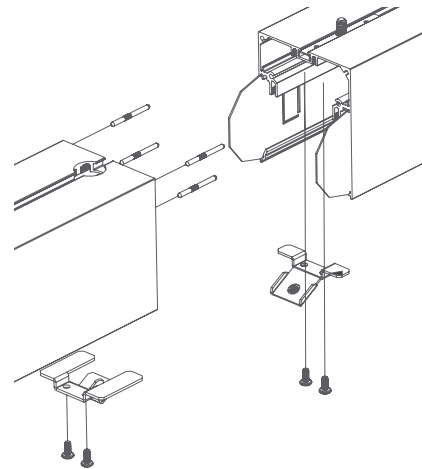
Extruded satin acrylic lenses provide excellent diffusion, high transmission, and no LED imaging.

## Construction

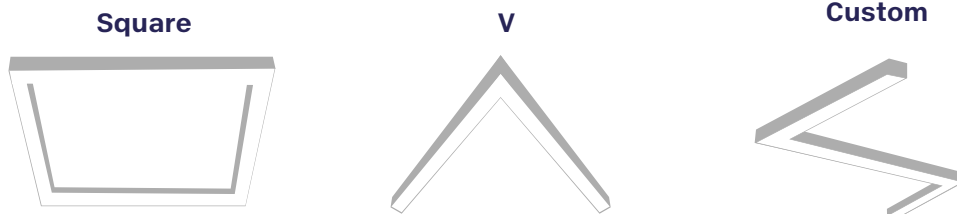
Housings are extruded premium, recycled aluminum. Individual fixtures are available up to 12' long and may be specified as nominal or precision lengths. Precision lengths are supplied within 1/8" tolerance.

## Joined Runs

Runs of any length may be specified and are comprised of multiple, factory-engineered, joined sections. Individually specified luminaires are not field joinable.



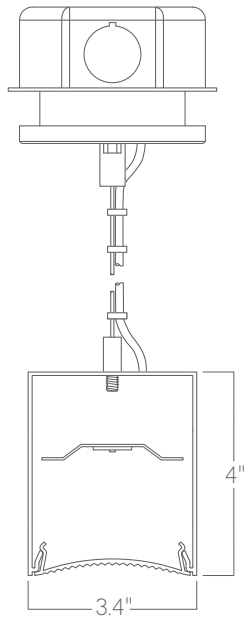
Representative joinery. For product specific details see installation guides or submittal drawings.



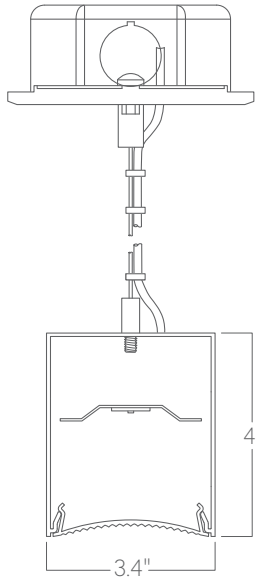
# LS4 Bow direct

## Mounting Options

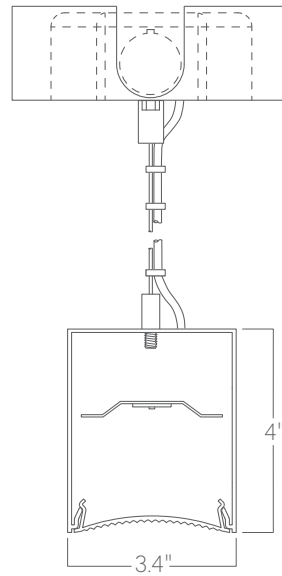
Custom mounting types and ceiling transitions available; consult factory.



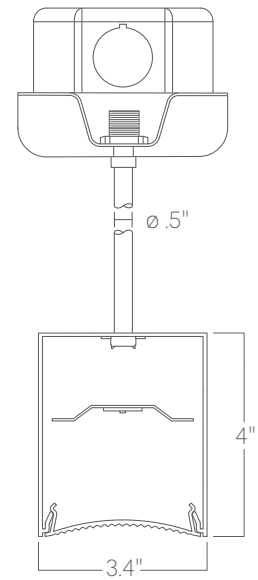
**Aircraft cable  
3.5" canopy**



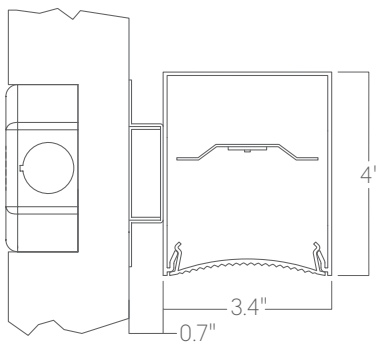
**Aircraft cable  
5" canopy**



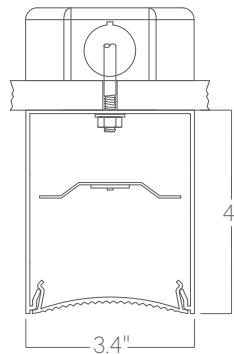
**Aircraft cable  
Conduit canopy  
with knockouts**



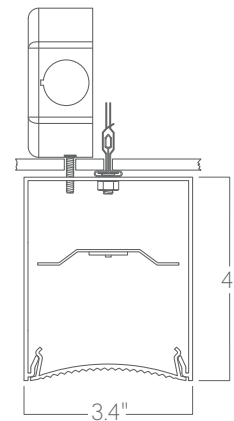
**Pendant stem**



**Wall mount**



**Surface mount  
Hard Ceiling**



**Surface mount  
T Bar clip**